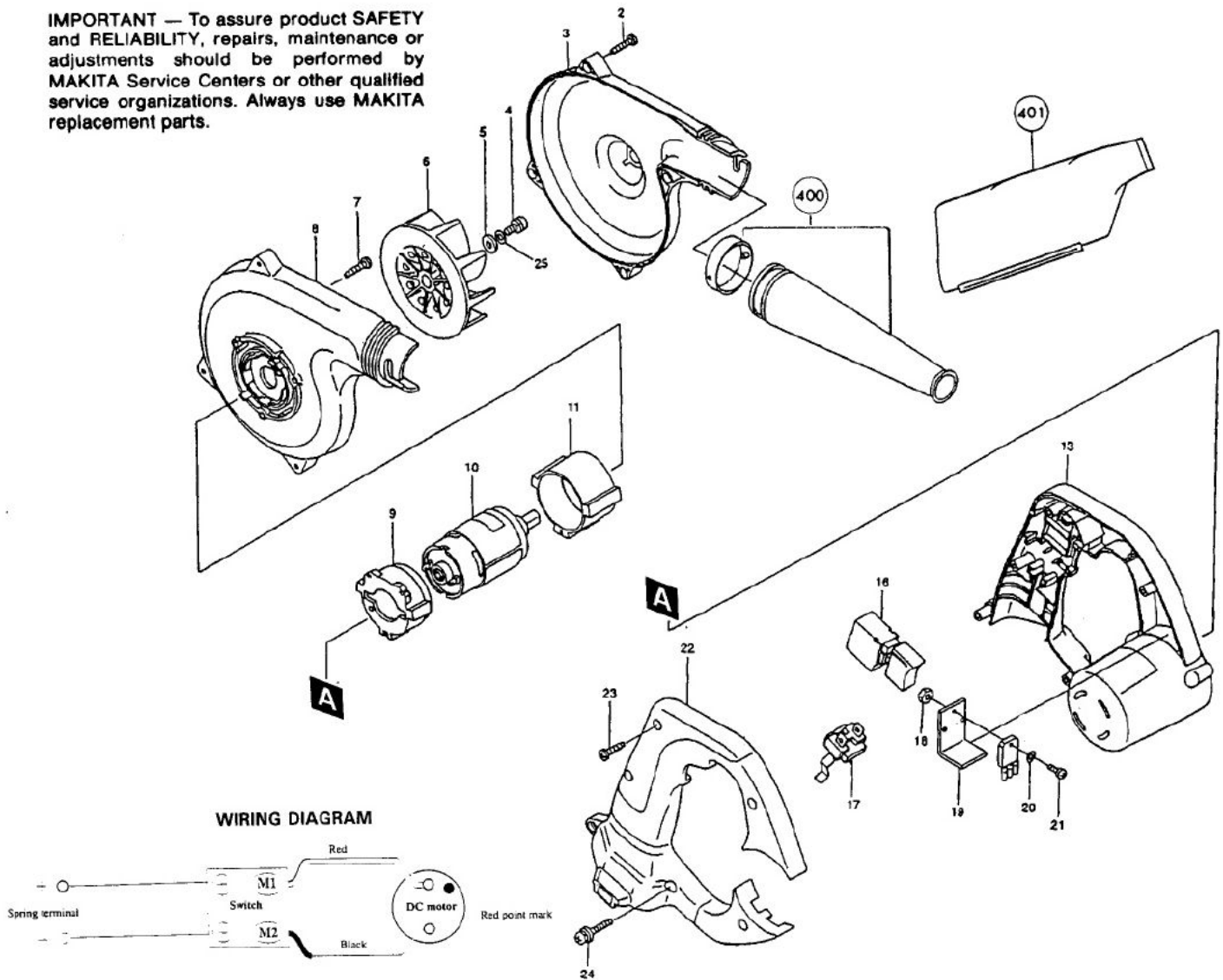




12V CORDLESS BLOWER

Model UB121DZ

IMPORTANT — To assure product **SAFETY** and **RELIABILITY**, repairs, maintenance or adjustments should be performed by **MAKITA** Service Centers or other qualified service organizations. Always use **MAKITA** replacement parts.



WIRING DIAGRAM

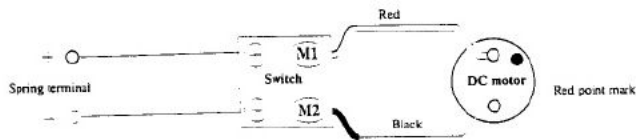


Fig.	Part No.	Qty. Used	Description	Fig.	Part No.	Qty. Used	Description
2	KW00000210	4	TAPPING SCREW 4x18	17	643909-9	1	BATTERY HOLDER
3	KW00000090	1	FAN HOUSING cpl., (Incl. Fig.8)	18	KW00000280	1	NUT M3
4	KW00000220	1	P.H. SCREW M5x8	19	KW00000200	1	HEAT SINK
5	KW00000170	1	FLAT WASHER 5	20	KW00000270	1	SPRING WASHER M3
6	KW00000100	1	FAN	21	KW00000260	1	SCREW M3x8
7	KW00000210	3	TAPPING SCREW 4x18	22	KW00000120	1	HANDLE COVER
8	KW00000090	1	FAN HOUSING cpl., (Incl. Fig. 3)	23	KW00000210	5	TAPPING SCREW 4x18
9	KW00000140	1	MOTOR RUBBER RING A	24	KW00000310	1	SCREW M4x22
10	KW00000240	1	DC MOTOR (Incl. KW00000430 Spindle)	25	KW00000160	1	SPRING WASHER M5
11	KW00000150	1	MOTOR RUBBER RING B	ACCESSORIES			
13	KW00000130	1	MOTOR HOUSING	400	132025-7	1	NOZZLE ASS'Y (Incl. 414145-2 Joint)
16	KW00000230	1	SWITCH	401	122321-1	1	DUST BAG ASS'Y