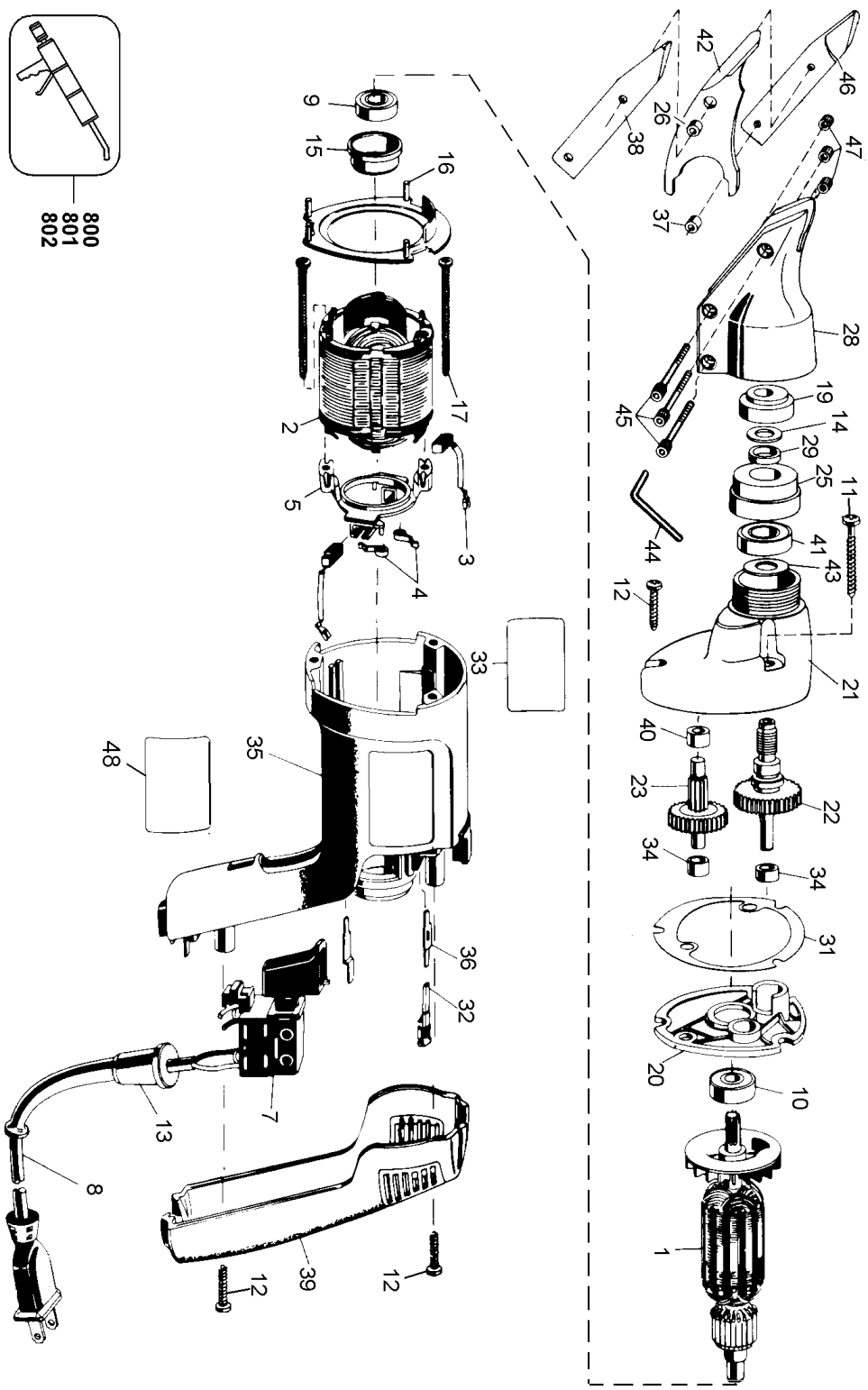


800  
801  
802



## Parts List for DW891 Type 2

Item Number	Part Number	Description	Qty Required
1	619866-00	ARMATURE	1
2	619880-00SV	FIELD	1
3	445861-01	BRUSH & LEAD	2
4	445860-00	SPRING,BRUSH	2
5	449899-05	RING,BRUSH	1
7	286250-00	SWITCH,VS,AC	1
8	330072-98	CORD/8FT/18-2SJ	1
9	330003-04	BEARING,BALL	1
10	330003-04	BEARING,BALL	1
11	330019-16	SCREW	2
12	330019-13	SCREW,M4X19	3
13	330005-01	PROTECTOR,CORD	1
14	091975-00	WASHER	1
15	445217-02	SLEEVE	1
16	447866-00	BAFFLE,FAN	1
17	448269-00	SCREW	2
19	448393-00	ECCENTRIC	1
20	448658-00	COVER,GEAR CASE	1
21	448666-02SV	CASE- GEAR	1
22	445352-01SV	GEAR & SPINDLE	1
23	448069-09SV	GEAR	1
25	449368-00	CAP, BEARING	1
26	91968-01	SPACER	1
28	91971-01	HOUSING	1
29	449893-00	SPACER	1
31	386422-00	GASKET	1
32	449192-00	TERMINAL	2

COPYRIGHT© 2005. All Rights Reserved.

Parts list, pricing, and availability subject to change. Please visit [www.dewaltservicenet.com](http://www.dewaltservicenet.com) for current parts information.

## Parts List for DW891 Type 2

Item Number	Part Number	Description	Qty Required
33	619722-00	NAME PLATE	1
34	093128-00	NEEDLE BEARING	2
35	464231-04	CASE,FIELD	1
36	445881-99	STRIP,CONTACT	2
37	91968-00	SPACER	1
38	91969-00	LEFT KNIFE	1
39	450594-03	COVER,HANDLE	1
40	330004-00	BEARING,NEEDLE	1
41	330003-09	BEARING,BALL	1
42	448696-00	KNIFE, CENTER	1
43	449892-00	WASHER	1
44	099056-06	WRENCH	1
45	5140037-06	CAP SCREW	3
46	91967-00	RIGHT KNIFE	1
47	5140037-07	INSERT	3
48	395047-00	ID LABEL	1
800	761995-01	GREASE, 6 OZ.	1
801	283484-01	GREASE,32 OZ.	1
802	284778-00	GREASE,MOLYKOTE	1

COPYRIGHT© 2005. All Rights Reserved.

Parts list, pricing, and availability subject to change. Please visit [www.dewaltservicenet.com](http://www.dewaltservicenet.com) for current parts information.