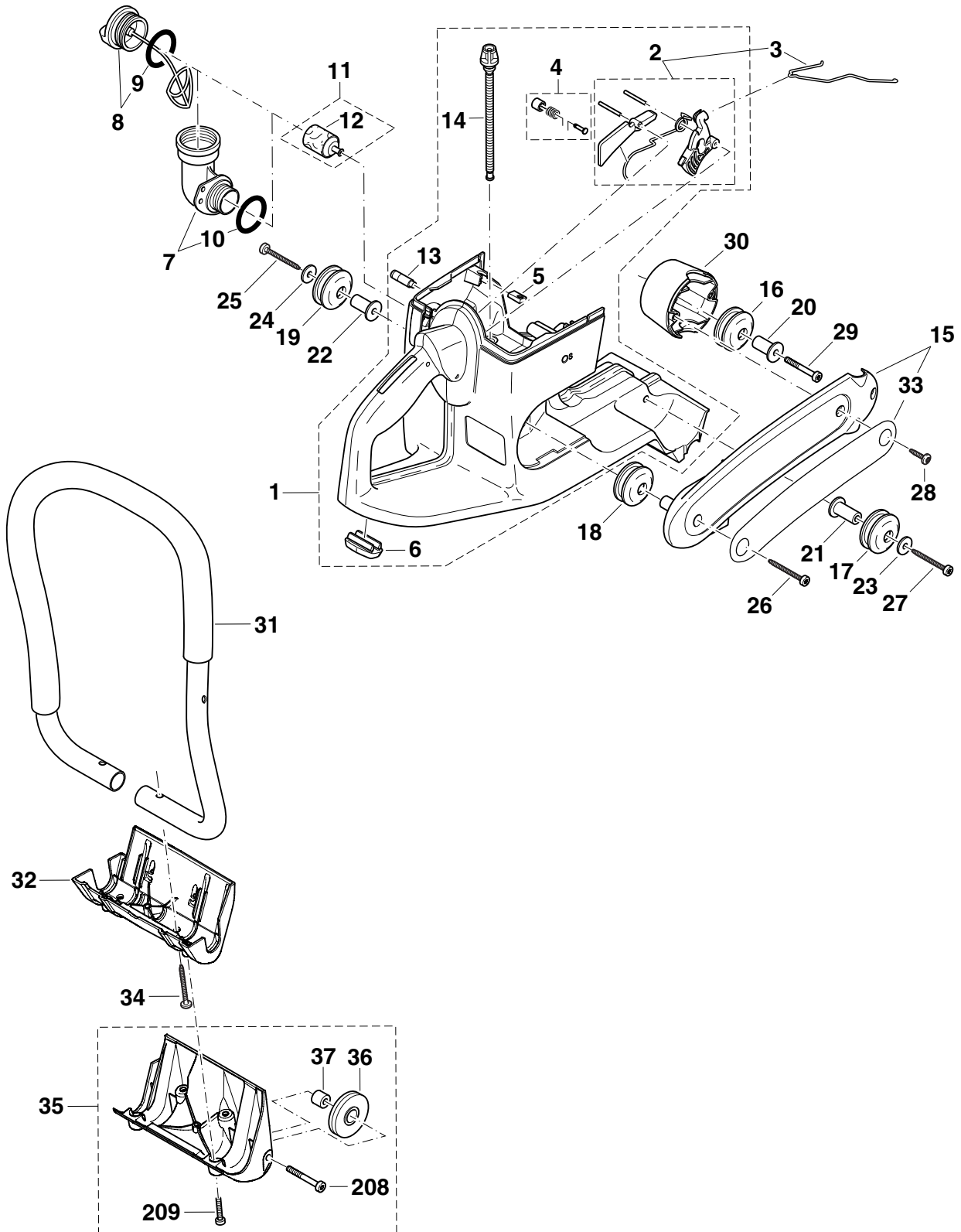
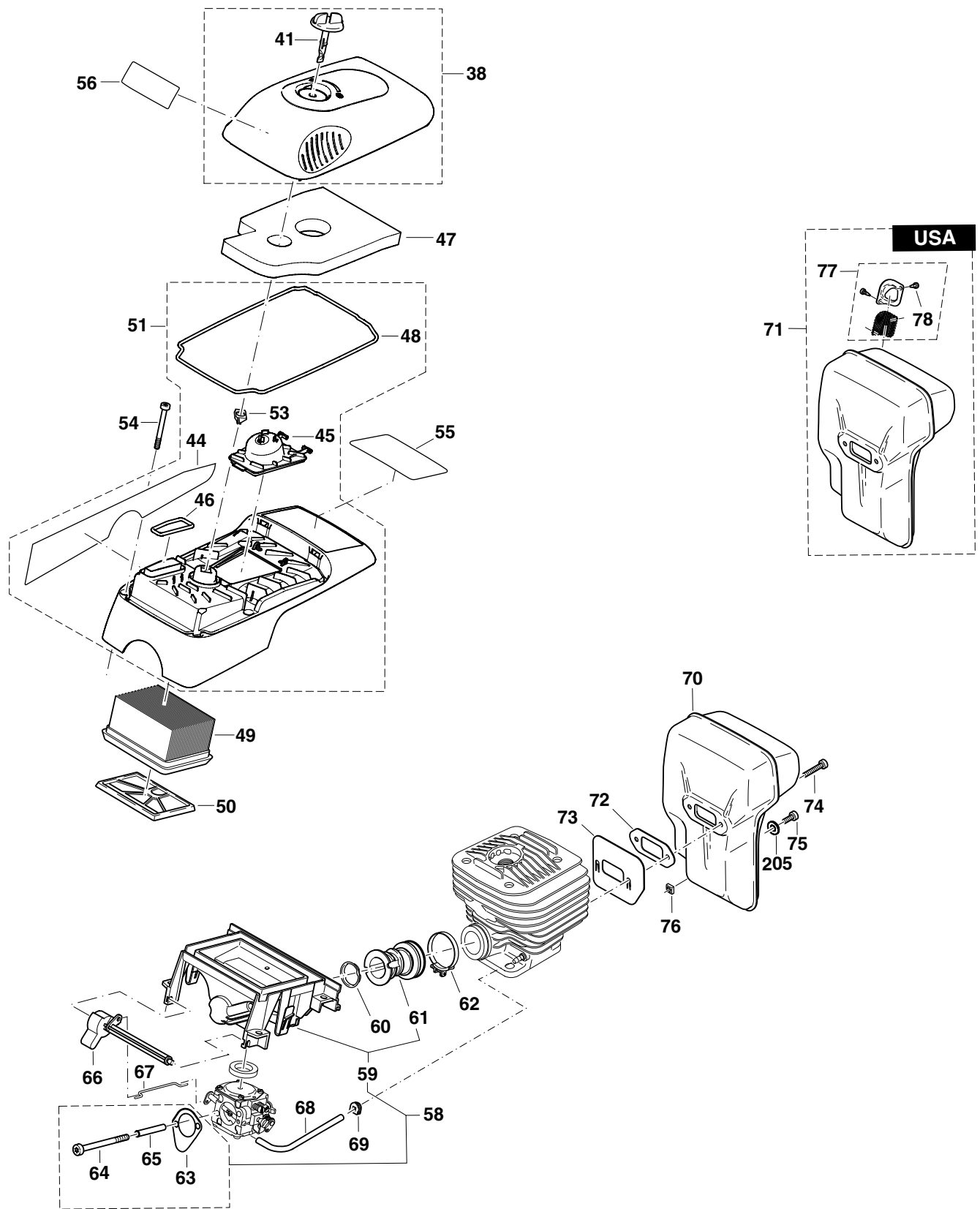


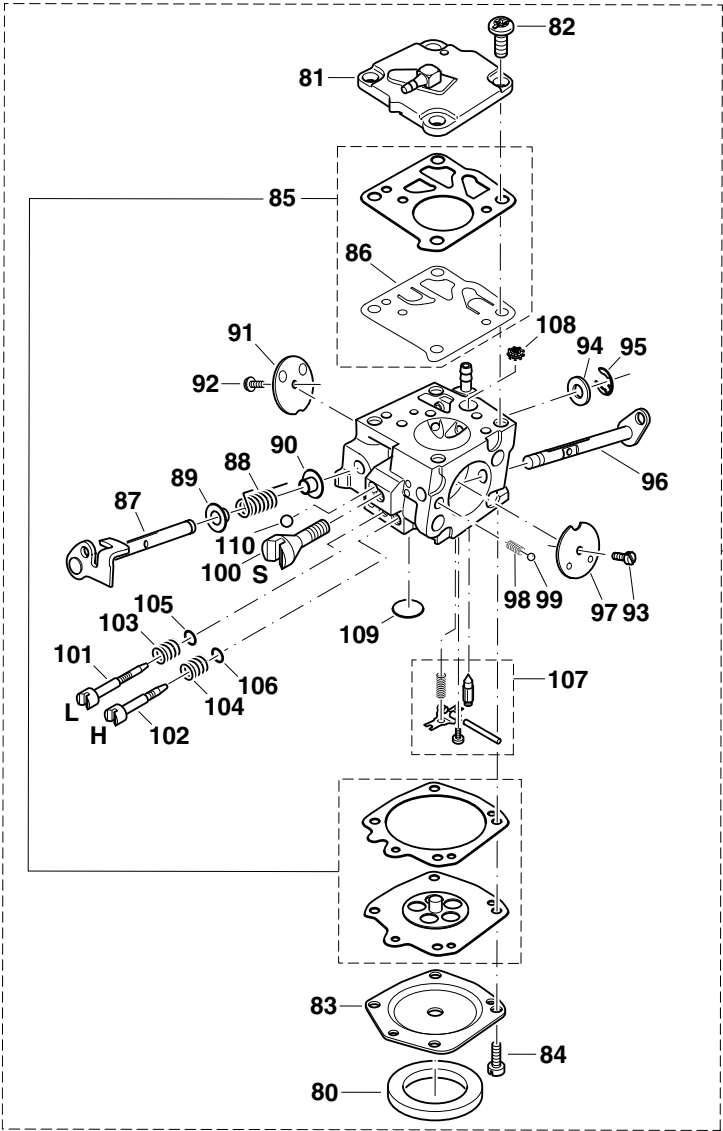
Tank and Handle Grips



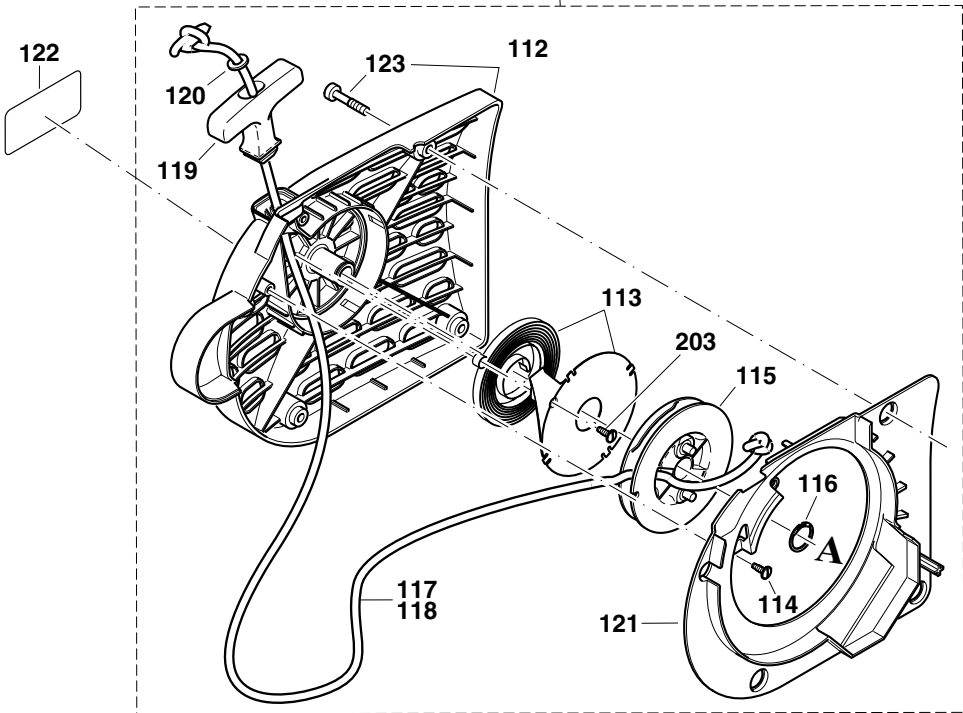
Hood, Air filter, and Muffler



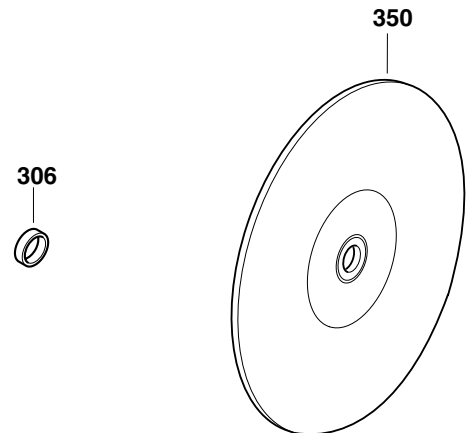
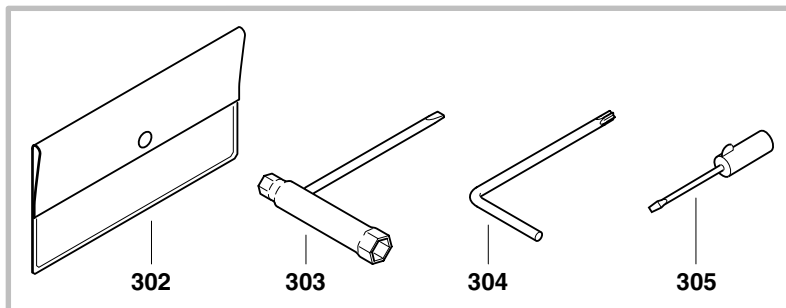
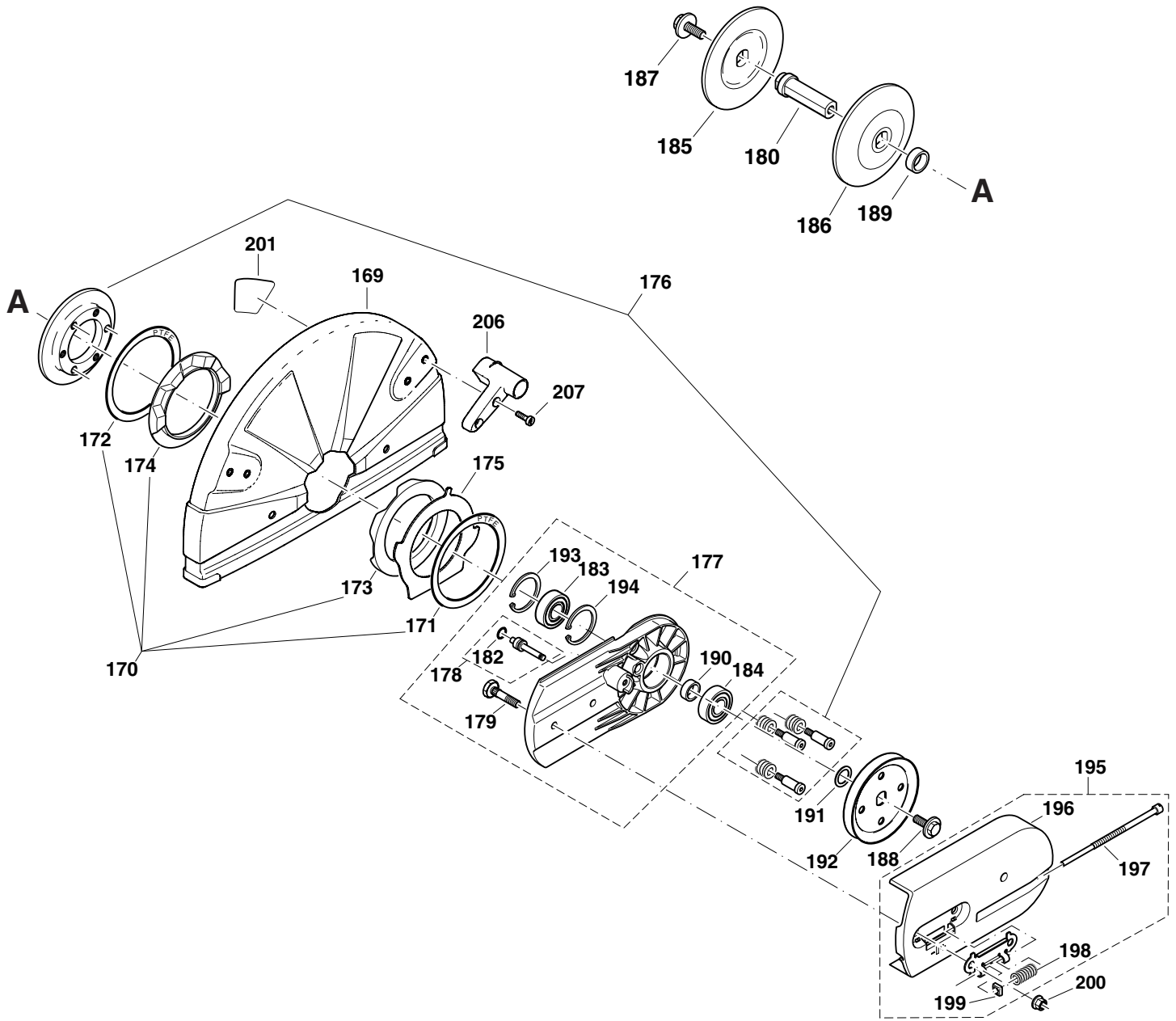
Carburetor



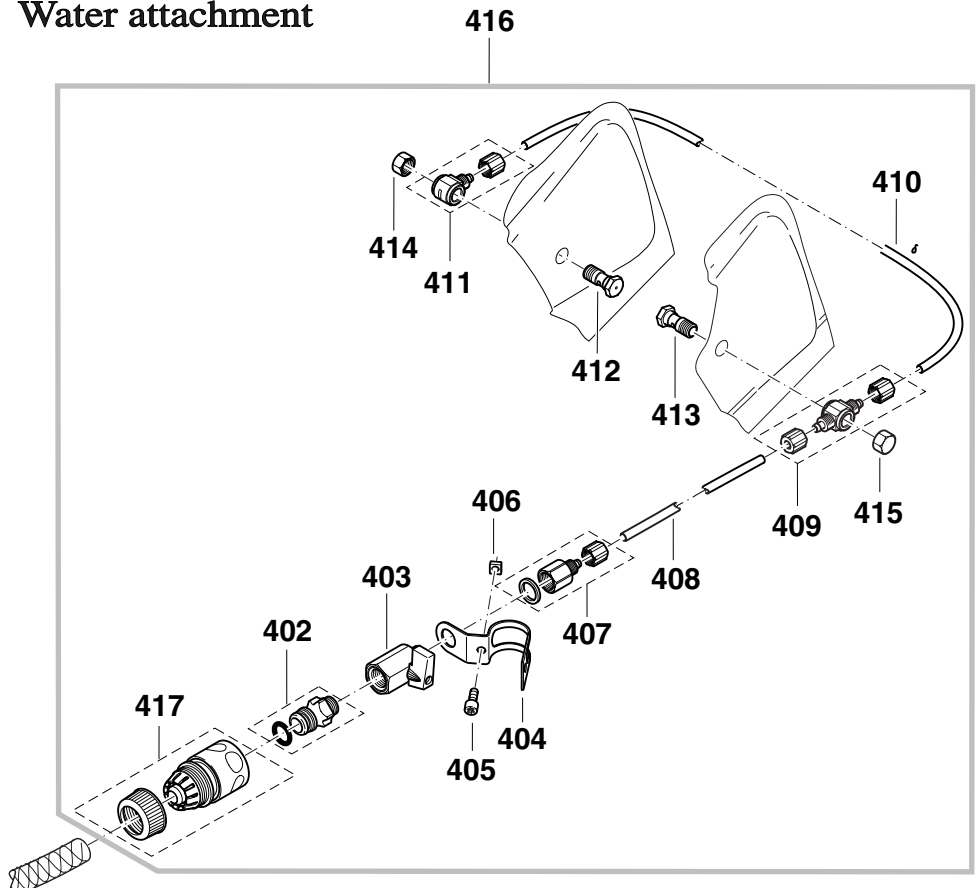
Starter



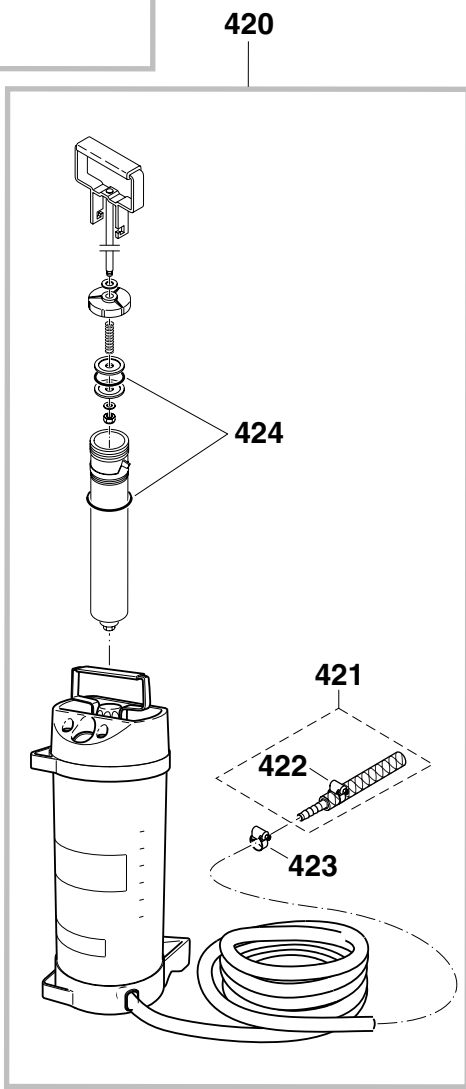
Cutting device, Protection hood, and Accessories



Water attachment



Pressurised water tank



| Item No. | Part No. | Qty. Used | Description | Item No. | Part No. | Qty. Used | Description |
|----------|-------------|-----------|--------------------------|----------|-------------|-----------|----------------------------------|
| 1 | 394-114-602 | 1 | TANK Cpl., blue | 56 | 980-114-999 | 1 | LABEL |
| 2 | 957-117-020 | 1 | THROTTLE MECHANISM, Cpl. | 58 | 957-171-394 | 1 | MODIFICATION SET, connect sleeve |
| 3 | 394-117-011 | 1 | THROTTLE LINKAGE | 59 | 394-171-051 | 1 | CONNECTING SLEEVE Cpl. |
| 4 | 957-117-030 | 1 | HALF-THROTTLE LOCK, Cpl. | 60 | 024-131-031 | 1 | INSERT, for suction hose |
| 5 | 394-114-100 | 4 | SCREW PLUG | 61 | 394-131-101 | 1 | SUCTION LINE |
| 6 | 394-114-070 | 1 | RUBBER FOOT | 62 | 965-603-050 | 1 | HOSE CLIP |
| 7 | 010-114-081 | 1 | ANGULAR UNION ASSY. | 63 | 965-518-120 | 1 | GASKET |
| 8 | 010-114-091 | 1 | TANK CAP Cpl, fuel | 64 | 908-204-555 | 2 | SCREW M4x55 |
| 9 | 963-230-031 | 1 | O-RING, red | 65 | 970-502-050 | 1 | TUBE, 1-1/2" (37mm) |
| 10 | 963-230-031 | 1 | O-RING, red | 66 | 394-150-030 | 1 | CHOKE SHAFT |
| 11 | 963-601-120 | 1 | SUCTION HEAD | 67 | 394-150-042 | 1 | CHOKE SHAFT |
| 12 | 963-601-240 | 1 | FELT | 68 | 965-452-380 | 1 | TUBE, 4-1/2" (116mm) |
| 13 | 010-175-050 | 1 | AIR VALVE Cpl. | 69 | 965-401-016 | 1 | RUBBER BUSH |
| 14 | 965-404-911 | 1 | FUEL LINE | 71 | 394-174-151 | 1 | MUFFLER |
| 15 | 394-114-641 | 1 | BRACKET, grey | 72 | 965-531-130 | 1 | GASKET |
| 16 | 965-403-535 | 1 | RUBBER BUFFER | 73 | 394-174-050 | 1 | COVER PLATE |
| 17 | 965-403-535 | 1 | RUBBER BUFFER | 74 | 908-405-205 | 2 | SCREW M5x20 |
| 18 | 965-403-535 | 1 | RUBBER BUFFER | 75 | 908-005-125 | 1 | SCREW M5x12 |
| 19 | 965-403-535 | 1 | RUBBER BUFFER | 76 | 921-905-004 | 1 | SQUARE NUT M5 |
| 20 | 394-114-031 | 1 | AXLE | 77 | 394-174-141 | 1 | SPARK ARRESTOR SCREEN |
| 21 | 394-114-031 | 1 | AXLE | 78 | 915-035-140 | 2 | SCREW |
| 22 | 394-114-031 | 1 | AXLE | 205 | 928-405-000 | 1 | DISC |
| 23 | 924-405-500 | 1 | WASHER | 79 | 394-150-050 | 1 | CARBURETOR W/GASKET |
| 24 | 924-405-500 | 1 | WASHER | 80 | 965-402-970 | 1 | GASKET |
| 25 | 913-455-454 | 1 | SCREW 5,5x45 | 81 | 394-150-160 | 1 | PUMP COVER Cpl. |
| 26 | 913-455-454 | 1 | SCREW 5,5x45 | 82 | 394-150-170 | 4 | SCREW |
| 27 | 913-455-454 | 1 | SCREW 5,5x45 | 83 | 394-150-120 | 1 | DIAPHRAGM COVER |
| 28 | 913-455-204 | 2 | SCREW 5,5x20 | 84 | 001-150-520 | 4 | SCREW |
| 29 | 908-305-405 | 1 | SCREW M5x20x40 | 85 | 957-150-100 | 1 | SET DIAPHRAGM/GASKETS |
| 30 | 394-114-050 | 1 | POT, grey | 86 | 113-150-150 | 1 | PUMP DIAPHRAGM, rubber |
| 31 | 394-310-100 | 1 | WRAP AROUND HANDLE | 87 | 394-150-300 | 1 | THROTTLE SHAFT |
| 32 | 394-114-190 | 1 | FOOT | 88 | 394-150-310 | 1 | SPRING |
| 33 | 908-114-988 | 1 | LABEL, Makita | 89 | 144-151-315 | 1 | BUSHING |
| 34 | 913-455-454 | 2 | SCREW 5,5x45 | 90 | 144-151-315 | 1 | BUSHING |
| 35 | 394-114-270 | 1 | FOOT w/ROLLER, Cpl. | 91 | 144-151-320 | 1 | THROTTLE SHUTTER |
| 36 | 394-114-230 | 2 | ROLLER | 92 | 001-150-650 | 1 | SCREW |
| 37 | 394-114-240 | 2 | BUSHING | 93 | 001-150-650 | 1 | SCREW |
| 208 | 908-006-355 | 2 | SCREW M6x35 | 94 | 122-151-400 | 1 | DISC |
| 209 | 913-350-164 | 4 | SCREW 5X16 | 95 | 100-150-350 | 1 | SAFETY WASHER |
| 38 | 326-118-610 | 1 | FILTER COVER ASSY., grey | 96 | 394-150-250 | 1 | CHOKE SHAFT |
| 41 | 394-118-010 | 1 | BAYONET FIXING | 97 | 113-150-261 | 1 | CHOKE SHUTTER |
| 44 | 980-114-971 | 1 | SAFETY LABEL | 98 | 101-150-080 | 1 | LOCKING SPRING |
| 45 | 326-118-070 | 1 | COVER for spark plug | 99 | 113-150-380 | 1 | LOCKING BALL |
| 46 | 326-118-050 | 1 | PACKING RING | 100 | 394-150-570 | 1 | IDLE STOP SCREW (S) |
| 47 | 326-173-080 | 1 | PREFILTER | 101 | 394-150-470 | 1 | IDLE ADJUSTM. SCREW (L) |
| 48 | 326-118-020 | 1 | PACKING RING | 102 | 394-150-510 | 1 | MAIN ADJUSTM. SCREW (H) |
| 49 | 394-173-010 | 1 | AIR FILTER | 103 | 144-151-480 | 1 | SPRING |
| 50 | 394-173-020 | 1 | INNER FILTER | 104 | 144-151-480 | 1 | SPRING |
| 51 | 326-118-080 | 1 | HOOD Cpl., black | 105 | 394-150-500 | 1 | PACKING RING |
| 53 | 394-118-050 | 1 | BAYONET LOCK | 106 | 394-150-500 | 1 | PACKING RING |
| 54 | 908-605-505 | 4 | SCREW M5x50 | 107 | 957-150-160 | 1 | SET of CONTROL PARTS |
| 55 | 980-114-967 | 1 | LABEL, DPC6410 | 108 | 394-150-180 | 1 | SCREEN |
| 55 | 980-114-968 | 1 | LABEL, DPC6411 | 109 | 113-150-040 | 1 | COVER DISC |

| Item No. | Part No. | Qty. Used | Description | Item No. | Part No. | Qty. Used | Description |
|----------|-------------|-----------|------------------------------|----------|----------|-----------|-------------|
| 407 | 964-802-310 | 1 | CONNECTING PIECE | | | | |
| 408 | 964-802-320 | 1 | HOSE, 16" (405mm) | | | | |
| 409 | 964-802-330 | 1 | CONNECTING PIECE (T) | | | | |
| 410 | 964-802-320 | 1 | HOSE, 7" (180mm) DPC6410 | | | | |
| 410 | 964-802-320 | 1 | HOSE, 8-1/4" (210mm) DPC6411 | | | | |
| 411 | 964-802-340 | 1 | CONNECTING PIECE (L) | | | | |
| 412 | 964-802-351 | 1 | NOZZLE | | | | |
| 413 | 964-802-351 | 1 | NOZZLE | | | | |
| 414 | 964-802-361 | 1 | CAP NUT | | | | |
| 415 | 964-802-361 | 1 | CAP NUT | | | | |
| 420 | 957-802-600 | 1 | PRESSURISED WATER TANK | | | | |
| 421 | 394-365-180 | 1 | CONNECTING REDUCER | | | | |
| 422 | 964-802-250 | 1 | HOSE CLIP | | | | |
| 423 | 964-802-250 | 1 | HOSE CLIP | | | | |
| 424 | 957-963-200 | 1 | GASKET SET | | | | |

ACCESSORIES

| | | | |
|-----|-------------|---|-----------------------------|
| 180 | 394-228-130 | 1 | AXLE, 22.2mm |
| 302 | 950-004-001 | 1 | PLASTIC BAG |
| 303 | 941-719-140 | 1 | UNIVERSAL WRENCH |
| 304 | 940-827-000 | 1 | ANGLED SCREWDRIVER |
| 305 | 944-340-001 | 1 | SCREWDRIVER |
| 306 | 394-228-121 | 1 | ADAPTER, (20/25.4mm) |
| 350 | 965-210-611 | 1 | 12" ABRASIVE WHEEL, DPC6410 |
| 350 | 965-210-222 | 1 | 14" ABRASIVE WHEEL, DPC6411 |
| 416 | 394-365-630 | 1 | WATER ATTACHMENT KIT |
| 417 | 964-802-400 | 1 | COUPLING SLEEVE STOP |