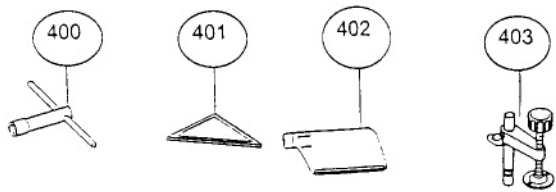
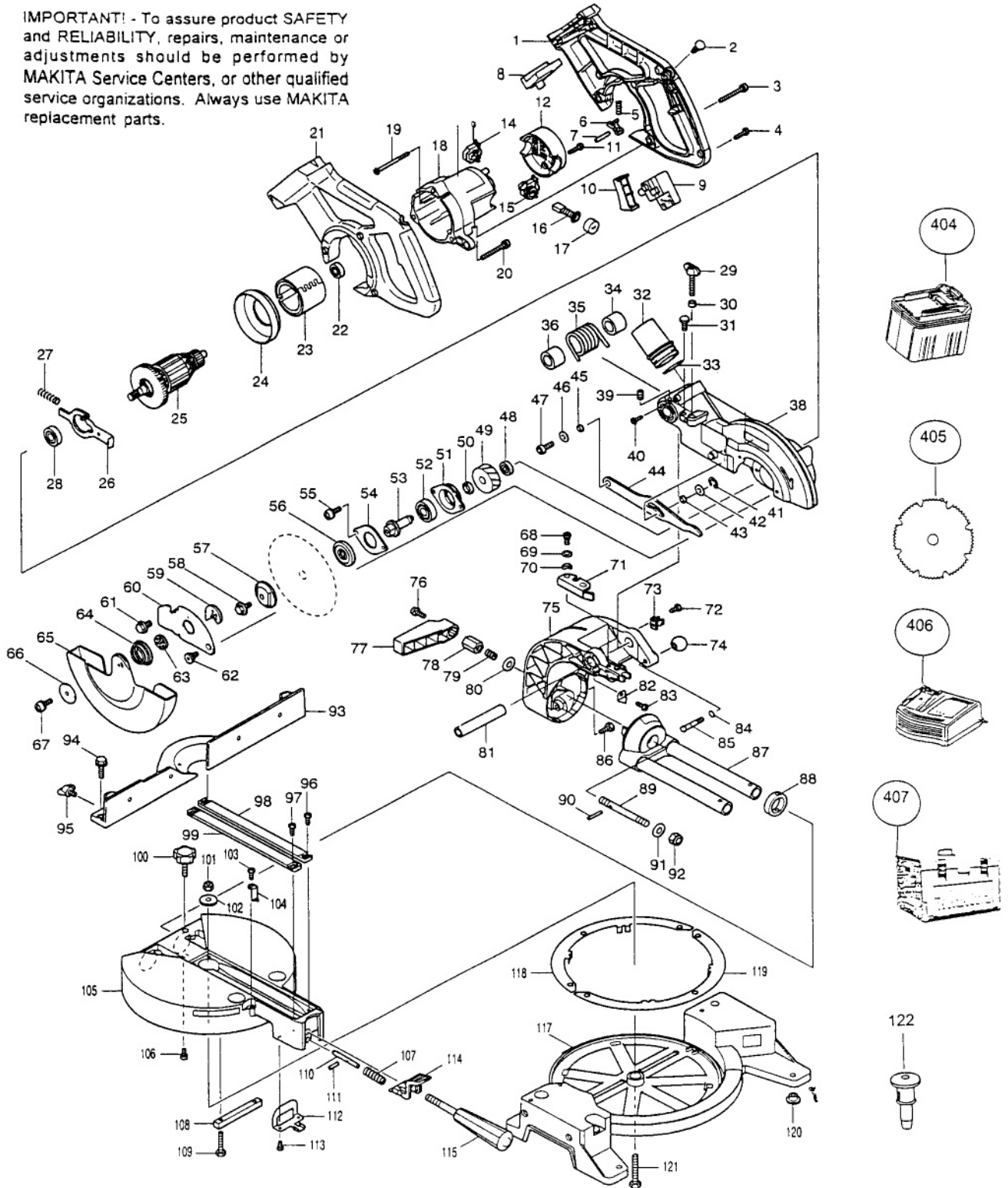




7-1/2" CORDLESS SLIDE COMPOUND SAW MODEL BLS712SFK

IMPORTANT! - To assure product SAFETY and RELIABILITY, repairs, maintenance or adjustments should be performed by MAKITA Service Centers, or other qualified service organizations. Always use MAKITA replacement parts.



WIRING DIAGRAM

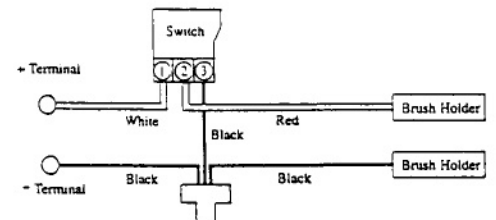


Fig.	Part No.	Qty. Used	Description	Fig.	Part No.	Qty. Used	Description
1	183260-0	1	HANDLE SET (Incl. Fig. 21)	56	224151-7	1	INNER FLANGE 40
2	411478-6	1	SWITCH BUTTON	57	224275-9	1	OUTER FLANGE 40
3	911268-2	3	PAN HEAD SCREW M5X45	58	265461-3	1	HEX BOLT M6X18
4	265995-6	5	TAPPING SCREW 4X18	59	344640-7	1	CENTER PLATE
5	231026-3	1	COMPRESSION SPRING 4	60	344641-5	1	CENTER COVER
6	416533-9	1	LOCK OFF LEVER	61	265473-6	1	HEX BOLT M6X14
7	256098-7	1	PIN 5	62	265985-9	1	HEX SOCKET HEAD BOLT M6
8	643955-2	1	TERMINAL	63	344639-2	1	CENTER WASHER
9	651988-3	1	SWITCH	64	231934-8	1	SPIRAL SPRING 26
10	416534-7	1	SWITCH LEVER	65	416540-2	1	SAFETY COVER
11	265995-6	2	TAPPING SCREW 4X18	66	267136-0	1	FLAT WASHER 5
12	416639-3	1	REAR COVER	67	911228-4	1	PAN HEAD SCREW M5X18
14	643946-3	1	BRUSH HOLDER	68	251267-5	1	+ PAN HEAD SCREW M6
15	643945-5	1	BRUSH HOLDER	69	253835-0	1	FLAT WASHER 8
16	191976-3	1	CARBON BRUSH(CB-432)SET	70	253948-7	1	WAVE WASHER 8
17	643941-3	2	HOLDER CAP	71	344643-1	1	STOPPER ARM
18	416909-0	1	MOTOR HOUSING	72	266026-4	1	TAPPING SCREW BIND CT 4X12
19	266209-6	2	TAPPING SCREW	73	416536-3	1	WRENCH HOLDER
20	911268-2	3	PAN HEAD SCREW M5X45	74	271601-3	1	KNOB 20
21	183260-0	1	HANDLE SET (Incl. Fig. 1)	75	151677-5	1	ARM COMPLETE (Incl. 816787-2 Indication Label)
22	210023-2	1	BALL BEARING 627DDW	76	911113-1	1	PAN HEAD SCREW M4X10
23	632828-4	1	YOKE UNIT	77	416006-2	1	LEVER 100
24	416907-4	1	BAFFLE PLATE	78	252144-4	1	HEX NUT M10-17
25	519059-1	1	ARMATURE ASS'Y 24V, (Incl. Fig. 22,28)	79	231266-3	1	COMPRESSION SPRING 5
26	344681-3	1	SHAFT LOCK	80	253024-7	1	FLAT WASHER 10
27	233092-6	1	COMPRESSION SPRING 5	81	331350-5	1	PIPE 16-90
28	211088-7	1	BALL BEARING 600DDW	82	343678-9	1	POINTER
29	265710-8	1	THUMB SCREW M6X33	83	266026-4	1	TAPPING SCREW BIND CT 4X12
30	262001-8	1	URETHANE RING 5	84	213021-5	1	O RING 5
31	265381-1	1	HEX BOLT M6X16	85	322338-6	1	STOPPER PIN
32	416133-5	1	DUST NOZZLE	86	265381-1	2	HEX BOLT M6X16
33	213460-9	1	O RING 35	87	151678-3	1	ARM HOLDER COMPLETE (Incl. Bevel Scale Label Pt # 816338-1)
34	416535-5	1	SLEEVE 17	88	257214-4	1	RING 26
35	231638-2	1	TORSION SPRING 28	89	266184-6	1	SCREW M10
36	416535-5	1	SLEEVE 17	90	256100-6	1	PIN 5
38	151838-7	1	BLADE CASE COMPLETE (Incl. Fig. 1 ea. 263002-9, Rubber Pin 4, 263005-3, Rubber Pin 6)	91	253024-7	1	FLAT WASHER 10
39	251961-9	2	HEX SOCKET HEAD BOLT M6X10	92	252130-5	1	HEX LOCK NUT M10-17
40	266061-2	1	TAPPING SCREW BIND CT 4X8	93	317235-9	1	GUIDE FENCE
41	961018-5	1	STOP RING E-5	94	921341-0	3	HEX BOLT M6X25
42	253804-1	1	FLAT WASHER 6	95	251887-5	1	SCREW M6X10
43	257163-5	1	RING 6	96	266026-4	2	TAPPING SCREW BIND CT 4X12
44	344645-7	1	LINK PLATE	97	266026-4	2	TAPPING SCREW BIND CT 4X12
45	257163-5	1	RING 6	98	416539-7	1	KERF BOARD
46	253804-1	1	FLAT WASHER 6	99	416539-7	1	KERF BOARD
47	922331-6	1	HEX SOCKET HEAD BOLT M6X20	100	251897-2	1	SCREW M6X33
48	211021-9	1	BALL BEARING 607LLB	101	252105-4	1	HEX LOCK NUT M8-13
49	226512-7	1	HELICAL GEAR 60	102	253731-2	1	FLAT WASHER 8
50	257011-8	1	RING 12	103	266026-4	1	TAPPING SCREW BIND CT 4X12
51	317193-9	1	BEARING BOX	104	416355-7	1	INDICATION PLATE
52	211129-9	1	BALL BEARING 6201DDW	105	151839-5	1	TURN BASE CPL. (Incl. 2 ea. 211376-2 Linear Ball Bearing 2560, 4ea. 262077-5 Felt Ring 25, 1ea. 26300)
53	323798-5	1	SPINDLE	106	922111-0	1	HEX SOCKET HEAD BOLT M4X10
54	285694-4	1	BEARING RETAINER 58	107	231325-3	1	COMPRESSION SPRING 6
55	911223-4	1	PAN HEAD SCREW M5X16				

Fig.	Part No.	Qty. Used	Description	Fig.	Part No.	Qty. Used	Description
108	152593-4	1	SQUARE ROD Cpl. (Incl. 1 ea. 263005-3 RUBBER PIN 6)	ACCESSORIES			
109	925251-3	2	HEX BOLT M5X30	400	782223-9	1	BOX WRENCH
110	323741-4	1	LOCK PIN	401	762001-3	1	TRIANGULAR RULE
111	256158-5	1	PIN 3	402	122523-9	1	DUSTBAG ASS'Y (Incl. 410602-8 Fastner)
112	344601-7	1	LOCK PLATE	403	122571-8	1	VICE ASS'Y (Incl. Screw M6X10 251887-5, Vise Rod 322313-2, Thumb Screw M10X60 265733-6, Flat Washer)
113	266026-4	2	TAPPING SCREW BIND CT 4X12	404	193131-3	1	BATTERY B2430 (3.0AH)
114	416450-3	1	LOCK LEVER	405	A-90912	1	T.C.T SAWBLADE 190X15.85X40T
115	273515-2	1	GRIP 32	406	DC24SA	1	BATTERY CHARGER
117	152642-7	1	BASE Cpl. (Incl. 1 ea. Pt# 816339-9 Miter Scale Pla	407	183265-0	1	PLASTIC CARRYING CASE
118	344646-5	1	SLIDE PLATE				
119	344646-5	1	SLIDE PLATE				
120	286212-1	5	CAP 20				
121	921472-5	1	HEX BOLT M8X50				
122	411478-6	2	SWITCH BUTTON				

01-01

3BLS712SFK