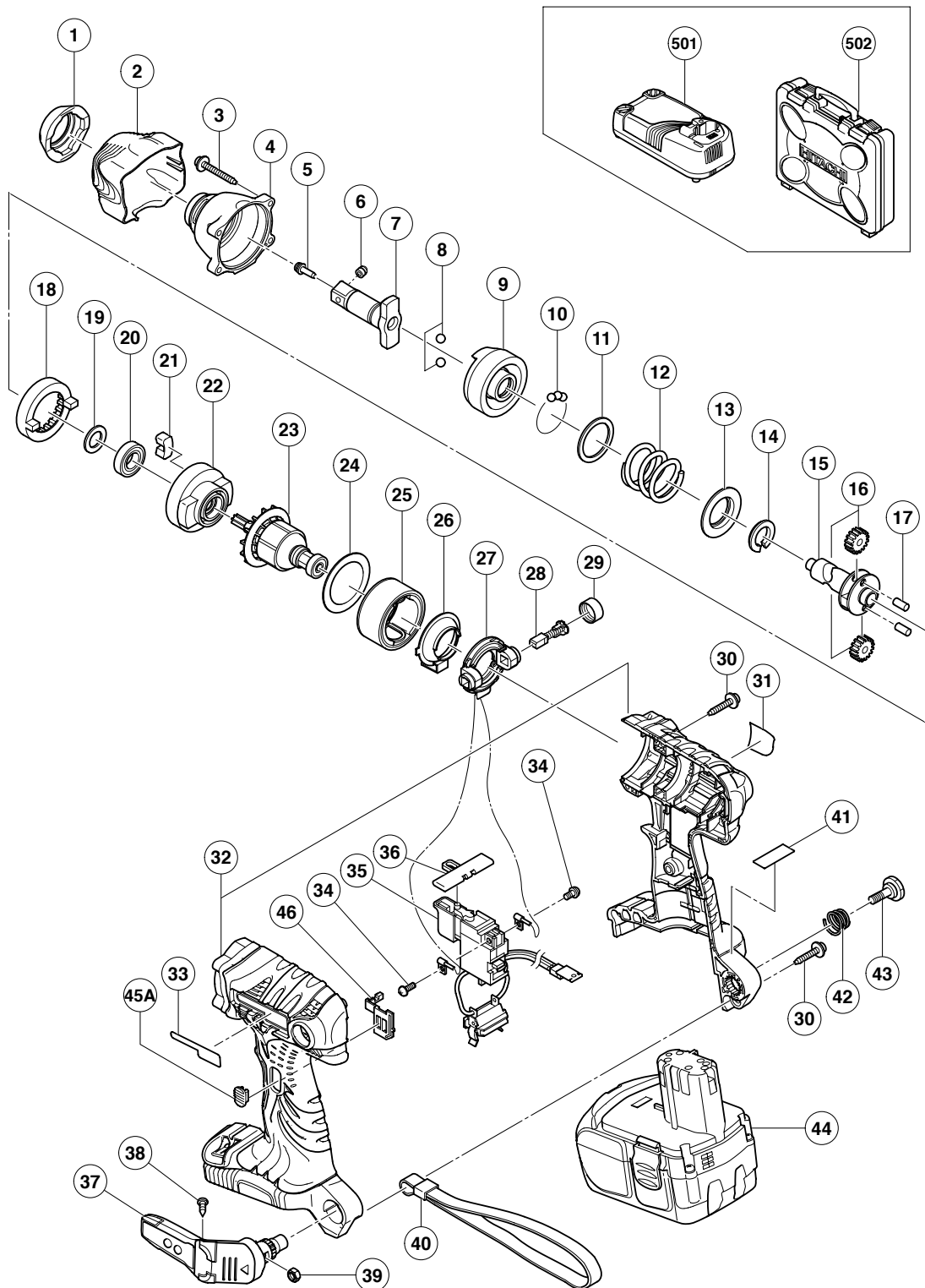


ELECTRIC TOOL PARTS LIST

■ **CORDLESS IMPACT WRENCH** 2006 · 11 · 17
Model WR 18DL (E2)



PARTS

WR 18DL

ITEM NO.	CODE NO.	DESCRIPTION	NO. USED	REMARKS
1	324-238	FRONT CAP (C)	1	
2	324-239	PROTECTOR (D)	1	
3	307-851	TAPPING SCREW (W/SP. WASHER) D4X30 (BLACK)	4	
4	324-250	HAMMER CASE	1	
5	324-257	PIN RETAINER (B)	1	
6	324-256	PLUNGER (B)	1	
7	324-255	ANVIL (A) ASS'Y	1	INCLUD. 5, 6
8	959-154	STEEL BALL D5.556 (10 PCS.)	2	
9	324-218	HAMMER	1	
10	959-148	STEEL BALL D3.175 (10 PCS.)	28	
11	315-978	WASHER (J)	1	
12	324-224	HAMMER SPRING (F)	1	
13	316-172	WASHER (S)	1	
14	324-222	STOPPER (B)	1	
15	324-232	SPINDLE	1	
16	321-667	IDLE GEAR SET (2 PCS.)	2	
17	324-234	NEEDLE ROLLER (A)	2	
18	320-877	RING GEAR (C)	1	
19	319-911	WASHER (E)	1	
20	690-1VV	BALL BEARING 6901VVCMP2L	1	
21	324-230	DAMPER (A)	2	
22	324-229	INNER COVER (B)	1	
23	360-713	ARMATURE AND PINION SET	1	
24	324-607	SIDE YOKE (A)	1	
25	324-235	MAGNET (F) ASS'Y	1	INCLUD. 24
26	324-228	DUST GUARD FIN (B)	1	
27	324-226	BRUSH BLOCK	1	
28	999-054	CARBON BRUSH 5X6X11.5 (1 PAIR)	2	
29	319-918	BRUSH CAP	2	
30	302-086	TAPPING SCREW (W/FLANGE) D4X20 (BLACK)	8	
31		NAME PLATE	1	
* 32	324-240	HOUSING (A).(B) SET	1	
* 32	327-051	HOUSING (A).(B) SET	1	FOR SAVE MODE
33	326-466	HITACHI LABEL	1	
34	994-532	MACHINE SCREW (W/SP. WASHER) M3X5	2	
35	321-533	DC-SPEED CONTROL SWITCH	1	
36	324-225	PUSHING BUTTON (B)	1	
37	321-918	HOOK ASS'Y (W/LIGHT)	1	INCLUD. 38, 39
38	321-672	TAPPING SCREW D2X6	2	
39	320-288	V-LOCK NUT M5	1	
40	306-952	STRAP (BLACK)	1	
41		LABEL (WEEE)	1	
42	319-926	HOOK SPRING	1	
43	320-881	SPECIAL SCREW (A) M5	1	
* 44	326-240	BATTERY EBM 1830 (EUROPE, AUS, NZL)	2	
* 44	326-241	BATTERY EBM 1830 (USA, CAN)	2	
* 45A	327-053	LEVER (B)	1	FOR SAVE MODE
* 46	327-052	LEVER (A)	1	FOR SAVE MODE

