

**SENCO**<sup>®</sup>

# **WC150XP WIDE CROWN STAPLER**



## **Parts Reference Guide**



**Repair Kits**

**YK0783  
YK0784  
YK0786  
YK0818**



NFG04W Revised November 30, 2011 (Replaces 8/30/11) © 2011 by SENCO Brands, Inc. Cincinnati, Ohio 45245 - U.S.A.

Senco Brands, Inc.  
4270 Ivy Pointe Blvd.  
Cincinnati, Ohio 45245  
Visit our Website [www.senco.com](http://www.senco.com)  
EMEA Website [www.verpa-senco.com](http://www.verpa-senco.com)

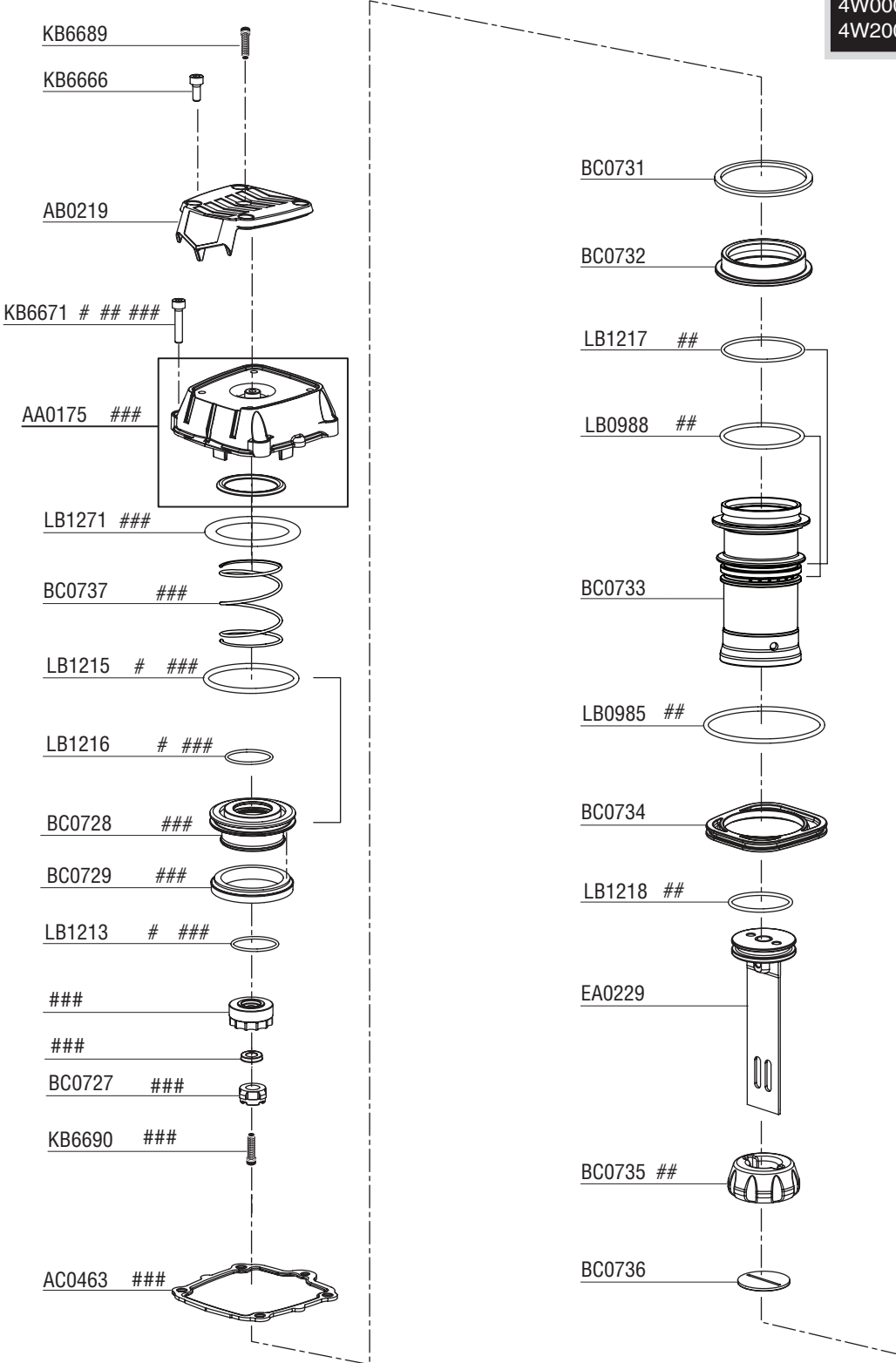
Questions? Comments? call Senco at:  
1-800-543-4596 (North and South America Only)

# WC150XP WIDE CROWN STAPLER


**SENCO®**

# Contents Of YK0783 Repair Kit  
 ## Contents Of YK0784 Repair Kit  
 ### Contents Of YK0818 Repair Kit


Tool #	Model
4W0001N	Contact-Actuation
4W2001N	Contact-Actuation



**Available Triggers**



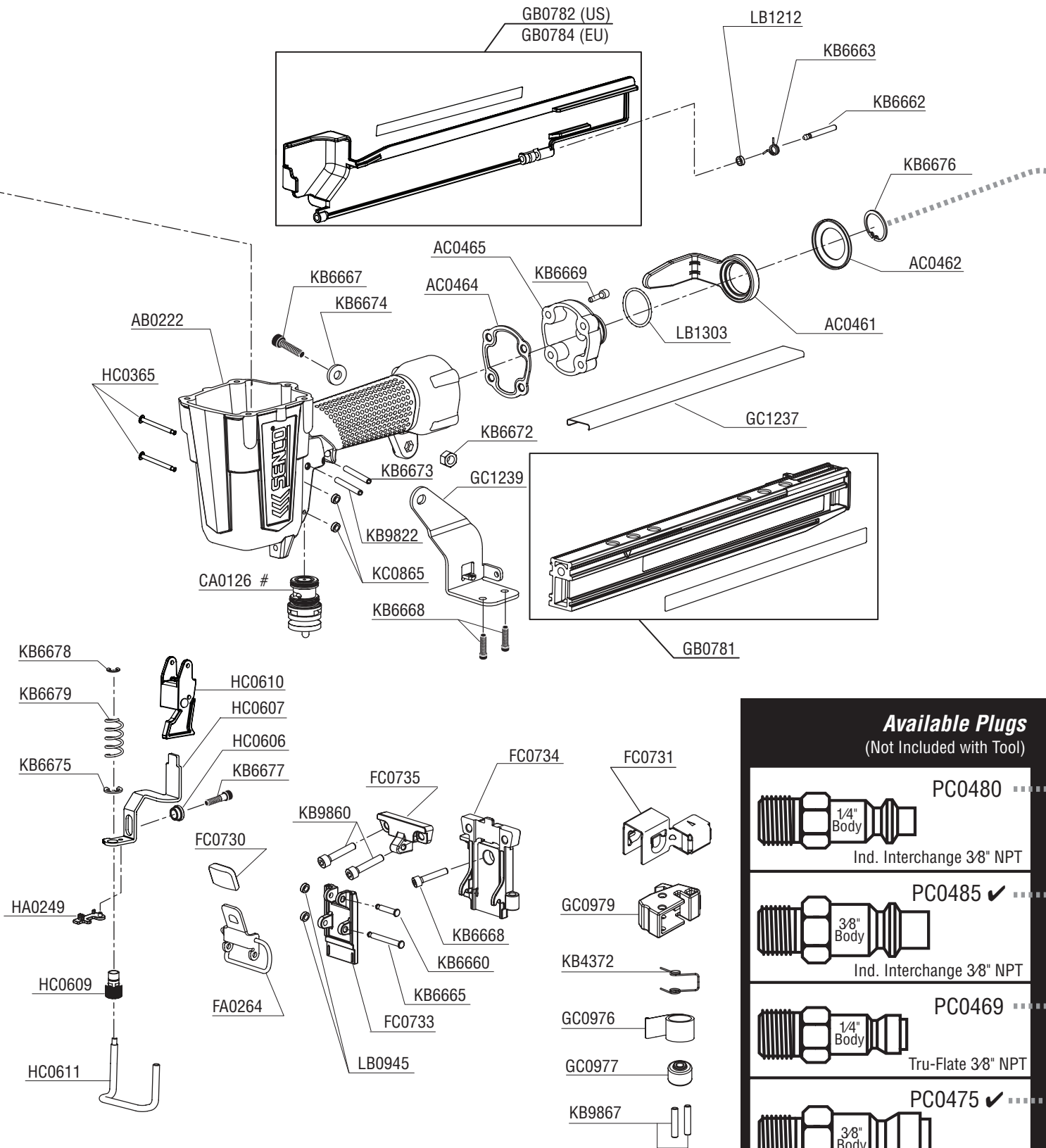
**HA0235**  
Contact-Actuation



**HA0236**  
Single Sequential




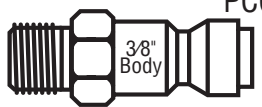
# WC150XP WIDE CROWN STAPLER

**SENCO®**



NFG04W Revised November 30, 2011 (Replaces 8/30/11) © 2011 SENCO Brands, Inc. Cincinnati, Ohio 45245 - U.S.A.

### Available Plugs (Not Included with Tool)

	<b>PC0480</b>
	Ind. Interchange 3/8" NPT
	<b>PC0485</b> ✓
	Ind. Interchange 3/8" NPT
	<b>PC0469</b>
	Tru-Flate 3/8" NPT
	<b>PC0475</b> ✓
	Tru-Flate 3/8" NPT

✓ **Recommended Plugs**  
Plugs shown smaller than actual size

# WC150XP WIDE CROWN STAPLER

REPLACEMENT PARTS LIST • LISTA DE PARTES DE REPUESTO • ERSATSTEILE-LISTE • LISTE DE PIÈCES DE RECHANGE

PART NO.	DESCRIPTION	DESCRIPCIÓN	BESCHREIBUNG	DÉSIGNATION
AA0175	CAP	TAPA	KAPPE	BOUCHON
AB0219	DEFLECTOR	DESVIADOR	ABWEISER	DÉFLECTEUR
AB0222	MAIN BODY	CARCARA	GEHÄUSE	CORPS
AC0461	BELT HOOK	GANCHO DE CINTURÓN	GURTHAKEN	CROCHET DE CEINTURE
AC0462	COVER	CUBIERTA	ABDECKUNG	COUVERCLE
AC0463	GASKET	SEAL	DICHTUNG	JOINT
AC0464	GASKET	SEAL	DICHTUNG	JOINT
AC0465	END CAP	TAPA TERMINAL	ABSCHLUßKAPPE	BOUCHON D'EXTRÉMITÉ DE RAIL
BC0727	STOP	TOPPE	PUFFER	ARRÊT
BC0728	VALVE	VÁLVULA	VENTIL	VALVE
BC0729	SEAL	SELLO	DICHTUNG	JOINT
BC0731	SPACER	SEPARADOR	DISTANZSTÜCK	ENTRETOISE
BC0732	SEAL	SELLO	DICHTUNG	JOINT
BC0733	CYLINDER SLEEVE	CILINDRO	ZYLINDER	CYLINDRE
BC0734	SPACER	SEPARADOR	DISTANZSTÜCK	ENTRETOISE
BC0735	PISTON STOP	AMORTIGUADOR	PUFFER	AMORTISSEUR
BC0736	GUIDE	GUÍA	FÜHRUNG	GUIDE
BC0737	SPRING	RESORTE	FEDER	RESSORT
CA0126	TRIGGER VALVE ASSEMBLY	ASAMBLE DE VÁLVULA	VENTIL-ZUSAMMENBAU	VALVE D'ASSEMBLÉE
EA0229	PISTON / DRIVER ASY	PERCUSOR	TREIBER	COUTEAU
FA0264	LATCH ASSEMBLY	ASAMBLE DE UÑETA	VERSCHLUSS-ZUSAMMENBAU	DOIGT DE RETENUE D'ASSEMBLÉE
FC0730	COVER	CUBIERTA	ABDECKUNG	COUVERCLE
FC0731	FEEDER SHOE	ALIMENTADOR	NAGELSCHIEBER	POUSSOIR
FC0733	FRONT PLATE	PLACA	PLATTE	PLAQUE
FC0734	BACK PLATE	PLACA	PLATTE	PLAQUE
FC0735	PLATE	PLACA	PLATTE	PLAQUE
GB0781	MAGAZINE ASY	ASAMBLE DE CARGADOR	MAGAZIN-ZUSAMMENBAU	MAGASIN D'ASSEMBLÉE
GB0782	MAGAZINE COVER (US)	CUBIERTA	ABDECKUNG	COUVERCLE
GB0784	MAGAZINE COVER (EU)	CUBIERTA	ABDECKUNG	COUVERCLE
GC0976	SPRING	RESORTE	FEDER	RESSORT
GC0977	ROLLER	RODILLO	ROLLE	GALET
GC0979	LATCH	UÑETA	VERSCHLUSS	DOIGT DE RETENUE
GC1237	GUIDE	GUÍA	FÜHRUNG	GUIDE
GC1239	BRACKET	SOPORTE	HALTERUNG	SUPPORT DE FIXATION
HA0235	TRIGGER ASSY (contact-actuation)	ASAMBLE DE GATILLO	AUSLÖSER	ENSEMBLE GÂCHETTE
HA0236	TRIGGER ASSY (single sequential)	ASAMBLE DE GATILLO	AUSLÖSER	ENSEMBLE GÂCHETTE
HA0249	SAFETY ELEMENT ASY	ASAMBLE DE SEGURO	SICHERHEITSVORRICHTUNG-ZUSAMMENBAU	ENSEMBLE PALPEUR DE SÉCURITÉ
HC0365	PIN	PASADOR	STIFT	GOUPILLE
HC0606	BUSHING	CASQUILLO	HÜLSE	DOUILLE
HC0607	SAFETY ELEMENT	SEGURO	SICHERHEITSVORRICHTUNG	PALPEUR DE SÉCURITÉ
HC0609	ADJUSTOR	TORNILLO	SCHRAUBE	VIS
HC0610	GUIDE GUÍA	FÜHRUNG	GUIDE	
HC0611	LOWER SAFETY	ASAMBLE DE SEGURO	SICHERHEITSVORRICHTUNG	PALPEUR DE SÉCURITÉ
KB4372	SPRING	RESORTE	FEDER	RESSORT
KB6660	PIN	PASADOR	STIFT	GOUPILLE
KB6662	PIN	PASADOR	STIFT	GOUPILLE
KB6663	SPRING	RESORTE	FEDER	RESSORT
KB6665	PIN	PASADOR	STIFT	GOUPILLE
KB6666	SCREW	TORNILLO	SCHRAUBE	VIS
KB6667	SCREW	TORNILLO	SCHRAUBE	VIS
KB6668	SCREW	TORNILLO	SCHRAUBE	VIS
KB6669	SCREW	TORNILLO	SCHRAUBE	VIS
KB6671	SCREW	TORNILLO	SCHRAUBE	VIS
KB6672	NUT	TUERCA	MUTTER	ÉCROU
KB6673	PIN	PASADOR	STIFT	GOUPILLE
KB6674	WASHER	ARANDELA	SCHIBE	RONDELLE
KB6675	RING	ANILLO	REIFEN	ANNEAU
KB6676	RING	ANILLO	REIFEN	ANNEAU
KB6677	SCREW	TORNILLO	SCHRAUBE	VIS
KB6678	RING	ANILLO	REIFEN	ANNEAU
KB6679	SPRING	RESORTE	FEDER	RESSORT
KB6689	SCREW	TORNILLO	SCHRAUBE	VIS
KB6690	SCREW	TORNILLO	SCHRAUBE	VIS
KB9822	PIN	PASADOR	STIFT	GOUPILLE
KB9860	SCREW	TORNILLO	SCHRAUBE	VIS
KB9867	PIN	PASADOR	STIFT	GOUPILLE
KC0865	GROMMET	RETÉN	SICHERUNGSRING	RETENUE
LB0945	SEAL	SELLO	DICHTUNG	JOINT
LB0985	SEAL	SELLO	DICHTUNG	JOINT
LB0988	SEAL	SELLO	DICHTUNG	JOINT
LB1212	SEAL	SELLO	DICHTUNG	JOINT
LB1213	SEAL	SELLO	DICHTUNG	JOINT
LB1215	SEAL	SELLO	DICHTUNG	JOINT
LB1216	SEAL	SELLO	DICHTUNG	JOINT
LB1217	SEAL	SELLO	DICHTUNG	JOINT
LB1218	SEAL	SELLO	DICHTUNG	JOINT
LB1271	SEAL	SELLO	DICHTUNG	JOINT
LB1303	SEAL	SELLO	DICHTUNG	JOINT
YK0783	REPAIR KIT	KIT DE REPARACIÓN	REPARATUR-INSTALLATIONSSATZ	KIT DE RÉPARATION
YK0784	REPAIR KIT	KIT DE REPARACIÓN	REPARATUR-INSTALLATIONSSATZ	KIT DE RÉPARATION
YK0786	BLOCKOUT KIT	KIT	INSTALLATIONSSATZ	KIT
YK0818	REPAIR KIT	KIT DE REPARACIÓN	REPARATUR-INSTALLATIONSSATZ	KIT DE RÉPARATION

Please visit [www.senco.com](http://www.senco.com) or call 1-800-543-4596 (North & South America Only) for updated product and parts information.

Por favor visite [www.senco.com](http://www.senco.com) o llame 1-800-543-4596 (Norte y Sur América solamente) para actualizada del producto y en la parte de información.

S'il vous plaît visitez [www.senco.com](http://www.senco.com) ou appelez 1-800-543-4596 (Amérique du Nord et l'Amérique du Sud seulement) pour la plus récente information sur le produit.