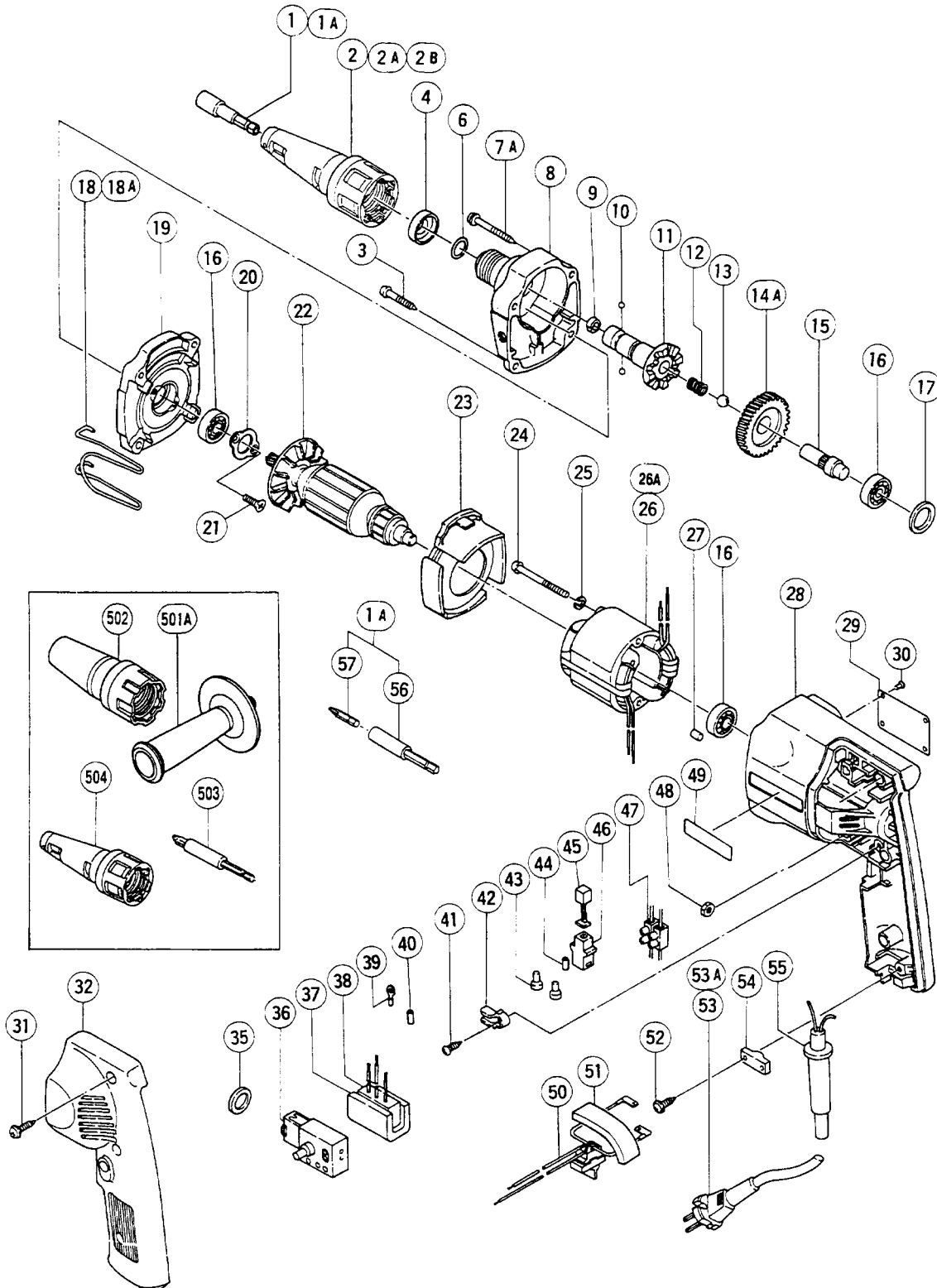


ELECTRIC TOOL PARTS LIST

■ SCREW DRIVER
Model W 6VB

1996 · 12 · 10
(E5)



PARTS

W 6VB

| ITEM NO. | CODE NO. | DESCRIPTION | NO. USED | REMARKS |
|----------|----------|--|----------|---|
| * 1 | 985-321 | MAGNETIC HEX. SOCKET 10MMX65L | 1 | |
| * 1 | 985-322 | MAGNETIC HEX. SOCKET 5/16"X65L | 1 | FOR USA,CAN,SWE |
| * 1A | 985-361 | NON - MAGNETIC HEX. SOCKET 11MM 65L | 1 | FOR DEN |
| * 1A | | MAGNETIC BIT HOLDER ASS'Y | 1 | INCLUD.56,57 FOR ITA,FRG,FRA,AUT,NOR,NZL |
| * 2 | 985-323 | LOCATOR (A) | 1 | FOR 10MM,3/8" |
| * 2 | 985-324 | LOCATOR (A) | 1 | FOR 5/16" FOR USA,CAN,SWE |
| * 2A | 985-360 | LOCATOR (A) | 1 | FOR DEN |
| * 2B | 982-555Z | LOCATOR (A) | 1 | FOR ITA,FRG,FRA,AUT,NOR,NZL |
| 3 | 931-875 | TAPPING SCREW D5X35 | 2 | |
| 4 | 971-468 | FRINGER (A) | 1 | |
| 6 | 982-564 | O - RING (1AP - 15) | 1 | |
| 7A | 955-912 | TAPPING SCREW D5X45 | 2 | |
| * 8 | 985-320 | GEAR COVER ASS'Y | 1 | INCLUD.6 |
| * 8 | 985-319 | GEAR COVER ASS'Y | 1 | INCLUD.6 FOR USA,CAN |
| 9 | 872-573 | SET RING | 1 | |
| 10 | 959-148 | STEEL BALL D3.175 (10 PCS.) | 2 | |
| 11 | 985-312 | SOCKET | 1 | |
| 12 | 943-614 | SPRING (A) | 1 | |
| 13 | 959-154 | STEEL BALL D5.556 (10 PCS.) | 1 | |
| 14A | 982-571 | GEAR (A) | 1 | |
| 15 | 985-345 | GEAR SHAFT | 1 | |
| 16 | 608-VVM | BALL BEARING 608VVMC2EPS2L | 3 | |
| 17 | 933-545 | WASHER (A) | 1 | |
| * 18 | 950-511 | HOOK | 1 | |
| * 18A | 950-551 | HOOK | 1 | FOR FRG,FRA,BEL,HOL |
| 19 | 985-310 | INNER COVER | 1 | |
| 20 | 971-659 | BEARING HOLDER | 1 | |
| 21 | 949-322 | FLAT HD. SCREW M4X10 (10 PCS.) | 2 | |
| * 22 | 985-314U | ARMATURE ASS'Y 110V - 127V | 1 | INCLUD.16 |
| * 22 | 985-314E | ARMATURE 220V - 230V | 1 | |
| * 22 | 985-314F | ARMATURE 240V | 1 | |
| 23 | 971-642 | FAN GUIDE | 1 | |
| 24 | 949-278 | MACHINE SCREW M4X55 (10 PCS.) | 2 | |
| 25 | 949-453 | SPRING WASHER M4 (10 PCS.) | 2 | |
| * 26 | 985-313C | STATOR 110V - 115V | 1 | |
| * 26 | 985-313E | STATOR 220V - 230V | 1 | |
| * 26 | 985-313F | STATOR 240V | 1 | |
| * 26 | 985-313L | STATOR 220V | 1 | FOR SUI |
| * 26 | 985-313G | STATOR 220V - 230V | 1 | FOR ITA |
| * 26 | 985-313K | STATOR 110V | 1 | FOR GBR |
| * 26A | 985-313J | STATOR 220V - 230V | 1 | FOR NZL,NOR,FRA,HOL,DEN,SWE,FRG,BEL,FIN. GBR,AUT |
| 27 | 946-362 | BEARING LOCK | 1 | |
| 28 | 981-110 | HOUSING | 1 | |
| 29 | | NAME PLATE | 1 | |
| * 30 | 932-642 | RIVET D2.5X2.8 | 4 | FOR CAN |
| 31 | 956-636 | TAPPING SCREW (W/WASHER) D4X25 | 3 | |
| 32 | 981-112 | HANDLE COVER | 1 | |
| 35 | 971-510 | PACKING (A) | 1 | |
| * 36 | 985-347 | SWITCH 100V - 127V (2P PILLAR TYPE) W/LOCK | 1 | |
| * 36 | 982-559Z | SWITCH 220V - 240V (2P PILLAR TYPE) | 1 | |

*: ALTERNATIVE PARTS

PARTS

W 6VB

| ITEM NO. | CODE NO. | DESCRIPTION | NO. USED | REMARKS |
|----------|----------|--|----------|---|
| * 37 | 930-153 | SUPPORT (B) | 1 | FOR SUI,NZL |
| * 38 | 994-273 | NOISE SUPPRESSOR | 1 | |
| * 39 | 980-063 | TERMINAL | 1 | FOR SUI,NZL |
| * 40 | 981-373 | TUBE (D) | 1 | FOR SUI,NZL |
| 41 | 954-004 | TAPPING SCREW D4X16 | 2 | |
| 42 | 971-655 | HOLDER PIECE | 2 | |
| 43 | 959-140 | CONNECTOR 50091 (10 PCS.) | 2 | |
| * 44 | 981-373 | TUBE (D) | 1 | FOR NZL,GBR,ITA,FRG,FRA,HOL,DEN,FIN,SWE. AUT,NOR,SUI |
| 45 | 999-041 | CARBON BRUSH (1 PAIR) | 1 | |
| 45 | 999-080 | CARBON BRUSH (AUTO STOP TYPE) (1 PAIR) | 1 | |
| 46 | 955-203 | BRUSH HOLDER | 2 | |
| 47 | 958-308Z | PILLAR TERMINAL (A) | 1 | |
| 48 | 949-554 | NUT M4 (10 PCS.) | 2 | |
| 49 | 957-561 | HITACHI LABEL | 1 | |
| * 50 | 985-315 | REVERSING SWITCH | 1 | |
| * 50 | 985-316 | REVERSING SWITCH | 1 | FOR INA,SYR,SIN,KUW |
| * 50 | 985-317 | REVERSING SWITCH | 1 | INCLUD.51 FOR NZL,GBR,ITA,FRG,FRA,DEN, FIN,SWE,NOR,SUI,HOL,AUT |
| * 51 | 930-153 | SUPPORT (B) | 1 | FOR NZL,GBR,ITA,FRG,FRA,HOL,DEN,FIN,SWE. AUT,NOR,SUI |
| 52 | 984-750 | TAPPING SCREW (W/FLANGE) D4X16 | 2 | |
| * 53 | 500-201Z | CORD | 1 | (CORD ARMOR D10.2) |
| * 53 | 500-226Z | CORD | 1 | (CORD ARMOR D8.2) FOR NZL |
| * 53 | 500-234Z | CORD | 1 | (CORD ARMOR D8.2) FOR INA |
| * 53 | 500-240Z | CORD | 1 | (CORD ARMOR D8.2) FOR USA,CAN |
| * 53 | 500-245Z | CORD | 1 | (CORD ARMOR D10.2) FOR SYR |
| * 53 | 500-247Z | CORD | 1 | (CORD ARMOR D10.2) FOR HOL,DEN,FIN,SWE. AUT,NOR |
| * 53 | 500-248Z | CORD | 1 | (CORD ARMOR D10.2) FOR SUI |
| * 53 | 500-231Z | CORD | 1 | (CORD ARMOR D8.2) FOR GBR (110V) |
| * 53A | 500-436Z | CORD | 1 | (CORD ARMOR D8.2) FOR GBR (240V) |
| * 53A | 500-423Z | CORD | 1 | (CORD ARMOR D8.2) FOR SIN,KUW |
| 54 | 937-631 | CORD CLIP | 1 | |
| * 55 | 930-487 | CORD ARMOR D8.2 | 1 | |
| * 55 | 930-026 | CORD ARMOR D10.2 | 1 | |
| * 56 | 982-554Z | MAGNETIC BIT HOLDER | 1 | FOR ITA,FRG,FRA,NOR,NZL |
| * 57 | 971-511Z | + DRIVER BIT (A) NO.2 25L | 1 | FOR ITA,FRG,FRA,NOR,NZL |

STANDARD ACCESSORIES

| ITEM NO. | CODE NO. | DESCRIPTION | NO. USED | REMARKS |
|----------|----------|---------------------------|----------|----------------------|
| * 501A | 994-322 | SIDE HANDLE | 1 | EXCEPT FOR USA,CAN |
| * 502 | 985-359 | LOCATOR (A) | 1 | FOR FRA |
| * 503 | | MAGNETIC BIT HOLDER ASS'Y | 1 | INCLUD.56,57 FOR HOL |
| * 504 | 982-555Z | LOCATOR (A) | 1 | FOR HOL |
| | | | | |
| | | | | |

* : ALTERNATIVE PARTS

