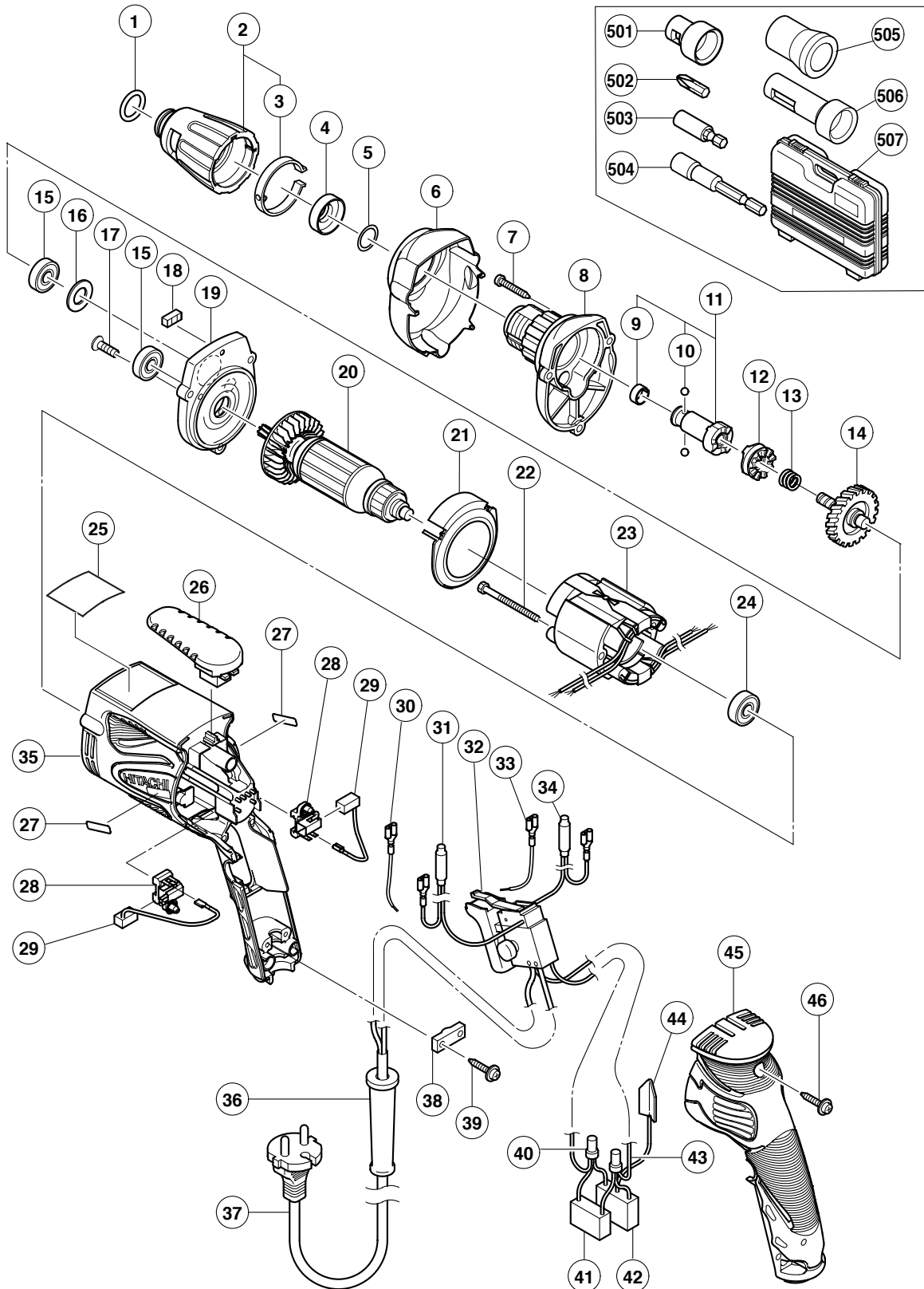


ELECTRIC TOOL PARTS LIST

■ **SCREW DRIVER**
Model W 6VA4

2004 · 8 · 30
(E1)



PARTS

W 6VA4

| ITEM NO. | CODE NO. | DESCRIPTION | NO. USED | REMARKS |
|----------|----------|--|----------|---|
| 1 | 876-031 | O-RING (S-16) | 1 | |
| 2 | 323-487 | LOCATOR ASS'Y | 1 | INCLUD. 3 |
| 3 | 323-488 | CLICK SPRING | 1 | |
| 4 | 971-468 | FRINGER (A) | 1 | |
| 5 | 317-662 | O-RING (F) | 1 | |
| 6 | 323-558 | PROTECT COVER (A) | 1 | |
| 7 | 321-057 | TAPPING SCREW D4X25 (BLACK) | 3 | |
| 8 | 323-486 | GEAR COVER (A) ASS'Y | 1 | INCLUD. 5 |
| 9 | 872-573 | SET RING | 1 | |
| 10 | 959-148 | STEEL BALL D3.175 (10 PCS.) | 2 | |
| * 11 | 323-491 | SOCKET (A) ASS'Y | 1 | INCLUD. 9, 10 |
| * 11 | 323-482 | SOCKET (A) ASS'Y | 1 | INCLUD. 9, 10 FOR TPE, SIN, HKG |
| 12 | 323-476 | CLUTCH DISC | 1 | |
| 13 | 306-024 | SPRING | 1 | |
| 14 | 323-474 | GEAR SET | 1 | |
| 15 | 608-VVM | BALL BEARING 608VVC2PS2L | 2 | |
| 16 | 933-545 | WASHER (A) | 1 | |
| 17 | 323-556 | SLOTTED HD. SCREW (SEAL LOCK) M4X8 | 2 | |
| 18 | 323-557 | FELT (A) | 1 | |
| 19 | 323-473 | INNER COVER ASS'Y (A) | 1 | INCLUD. 15-18 |
| * 20 | 360-670 | ARMATURE (B) 100V-110V | 1 | |
| * 20 | 360-671U | ARMATURE ASS'Y (B) 120V | 1 | INCLUD. 15, 24 |
| * 20 | 360-671E | ARMATURE (B) 220V-230V | 1 | |
| * 20 | 360-671F | ARMATURE (B) 240V | 1 | |
| 21 | 323-472 | FAN GUIDE | 1 | |
| 22 | 961-672 | HEX. HD. TAPPING SCREW D4X50 | 2 | |
| * 23 | 340-599C | STATOR 110V-120V | 1 | |
| * 23 | 340-599E | STATOR 220V-240V | 1 | |
| 24 | 608-VVM | BALL BEARING 608VVC2PS2L | 1 | |
| 25 | | NAME PLATE | 1 | |
| 26 | 323-471 | HOOK | 1 | |
| 27 | | HITACHI LABEL | 2 | |
| 28 | 323-512 | BRUSH HOLDER (A) | 2 | |
| 29 | 999-091 | CARBON BRUSH (AUTO STOP TYPE) (1 PAIR) | 2 | |
| * 30 | 323-489 | INTERNAL WIRE (BROWN) | 1 | FOR SAU, SIN, HKG, USA, CAN, IND |
| * 31 | 323-480 | CHOKE COIL (W/INTERNAL WIRE) BROWN | 1 | EXCEPT FOR SAU, SIN, HKG, USA, CAN, IND |
| 32 | 323-479 | SWITCH (1P PILLAR TYPE) W/LOCK | 1 | |
| * 33 | 323-490 | INTERNAL WIRE (BLUE) | 1 | FOR SAU, SIN, HKG, USA, CAN, IND |
| * 34 | 323-481 | CHOKE COIL (W/INTERNAL WIRE) BLUE | 1 | EXCEPT FOR SAU, SIN, HKG, USA, CAN, IND |
| 35 | 323-483 | HOUSING | 1 | |
| 36 | 953-327 | CORD ARMOR D8.8 | 1 | |
| * 37 | 323-559 | CORD (LENGTH 7.5M) | 1 | (CORD ARMOR D8.8) |
| * 37 | 500-409Z | CORD | 1 | (CORD ARMOR D8.8) FOR SAU, IND |
| * 37 | 500-423Z | CORD | 1 | (CORD ARMOR D8.8) FOR SIN |
| * 37 | 323-561 | CORD (LENGTH 7.5M) | 1 | (CORD ARMOR D8.8) FOR NZL, AUS |
| * 37 | 500-247Z | CORD | 1 | (CORD ARMOR D8.8) FOR SAF, YEN |
| * 37 | 320-130 | CORD (LENGTH 7.5M) | 1 | (CORD ARMOR D8.8) FOR USA, CAN |
| * 37 | 500-435Z | CORD | 1 | (CORD ARMOR D8.8) FOR HKG |
| * 37 | 500-470Z | CORD | 1 | (CORD ARMOR D8.8) FOR TPE |
| * 37 | 323-562 | CORD (LENGTH 7.5M) | 1 | (CORD ARMOR D8.8) FOR GBR (110V) |
| * 37 | 323-560 | CORD (LENGTH 7.5M) | 1 | (CORD ARMOR D8.8) FOR GBR (230V) |

STANDARD ACCESSORIES

W 6VA4

| ITEM NO. | CODE NO. | DESCRIPTION | NO. USED | REMARKS |
|----------|----------|---------------------------------------|----------|--|
| * 501 | 323-352 | SUB STOPPER (G) | 1 | EXCEPT FOR HKG, NZL, AUS, USA, CAN, TPE |
| * 502 | 971-511Z | + DRIVER BIT (A) NO. 2 25L | 1 | EXCEPT FOR TPE |
| * 503 | 317-674 | MAGNETIC BIT HOLDER ASS'Y (41L) | 1 | INCLUD. 502 EXCEPT FOR TPE, SIN, HKG, NZL, AUS, USA, CAN |
| * 503 | 982-554Z | MAGNETIC BIT HOLDER (75L) | 1 | FOR NZL, AUS, USA, CAN |
| * 503 | 323-354 | MAGNETIC BIT HOLDER ASS'Y (47.1L) | 1 | INCLUD. 502 FOR SIN |
| * 503 | 323-353 | MAGNETIC BIT HOLDER ASS'Y (81.1L) | 1 | INCLUD. 502 FOR HKG |
| * 504 | 323-356 | MAGNETIC HEX. SOCKET 5/16"X71.1L | 1 | FOR TPE |
| * 505 | 317-671 | SUB STOPPER (B) FOR H5/16 HEX. SOCKET | 1 | FOR TPE |
| * 506 | 323-351 | SUB STOPPER (F) | 1 | FOR HKG, NZL, AUS, USA, CAN |
| * 507 | 310-904 | CASE | 1 | FOR ESP |
| | | | | |
| | | | | |
| | | | | |
| | | | | |
| | | | | |

OPTIONAL ACCESSORIES

| ITEM NO. | CODE NO. | DESCRIPTION | NO. USED | REMARKS |
|----------|----------|---|----------|--------------------------|
| 601 | 317-670 | SUB STOPPER (B) FOR H3/8, H10 HEX. SOCKET | 1 | |
| 602 | 317-671 | SUB STOPPER (B) FOR H5/16 HEX. SOCKET | 1 | |
| 603 | 317-827 | SUB STOPPER (B) H1/4 HEX. SOCKET | 1 | |
| * 604 | 985-330 | MAGNETIC HEX. SOCKET 3/8"X65L | 1 | EXCEPT FOR TPE, SIN, HKG |
| * 605 | 985-321 | MAGNETIC HEX. SOCKET 10MMX65L | 1 | EXCEPT FOR TPE, SIN, HKG |
| * 606 | 985-322 | MAGNETIC HEX. SOCKET 5/16"X65L | 1 | EXCEPT FOR TPE, SIN, HKG |
| * 607 | 985-332 | MAGNETIC HEX. SOCKET 1/4"X65L | 1 | EXCEPT FOR TPE, SIN, HKG |
| * 608 | 985-326 | NON-MAGNETIC HEX. SOCKET 3/8" 65L | 1 | EXCEPT FOR TPE, SIN, HKG |
| * 609 | 985-329 | NON-MAGNETIC HEX. SOCKET 10MM 65L | 1 | EXCEPT FOR TPE, SIN, HKG |
| * 610 | 985-327 | NON-MAGNETIC HEX. SOCKET 5/16" 65L | 1 | EXCEPT FOR TPE, SIN, HKG |
| * 611 | 985-328 | NON-MAGNETIC HEX. SOCKET 1/4" 65L | 1 | EXCEPT FOR TPE, SIN, HKG |
| * 612 | 982-563Z | NON-MAGNETIC BIT HOLDER | 1 | EXCEPT FOR TPE, SIN, HKG |
| * 613 | 323-355 | MAGNETIC HEX. SOCKET 10MMX71.1L | 1 | FOR TPE, SIN, HKG |
| * 614 | 323-356 | MAGNETIC HEX. SOCKET 5/16"X71.1L | 1 | FOR SIN, HKG |
| 615 | 985-333 | + DRIVER BIT NO. 1 25L | 1 | |
| 616 | 971-512Z | + DRIVER BIT (A) NO. 3 25L | 1 | |
| 617 | 985-334 | + DRIVER BIT NO. 1 25L W/STEPPED ROD | 1 | |
| 618 | 985-335 | + DRIVER BIT NO. 2 25L W/STEPPED ROD | 1 | |
| 619 | 985-336 | - DRIVER BIT 4MMX25 | 1 | |
| 620 | 985-337 | - DRIVER BIT 5MMX25 | 1 | |
| 621 | 985-338 | - DRIVER BIT 6MMX25 | 1 | |
| 622 | 985-339 | - DRIVER BIT 8MMX25 | 1 | |
| 623 | 985-340 | - DRIVER BIT 4MMX25 (W/STEPPED ROD) | 1 | |
| 624 | 985-341 | - DRIVER BIT 5MMX25 (W/STEPPED ROD) | 1 | |
| 625 | 985-342 | HEX. BIT 4MMX25L | 1 | |
| 626 | 985-343 | HEX. BIT 5MMX25L | 1 | |
| 627 | 985-344 | HEX. BIT 6MMX25L | 1 | |
| 628 | 310-904 | CASE | 1 | |
| | | | | |
| | | | | |
| | | | | |