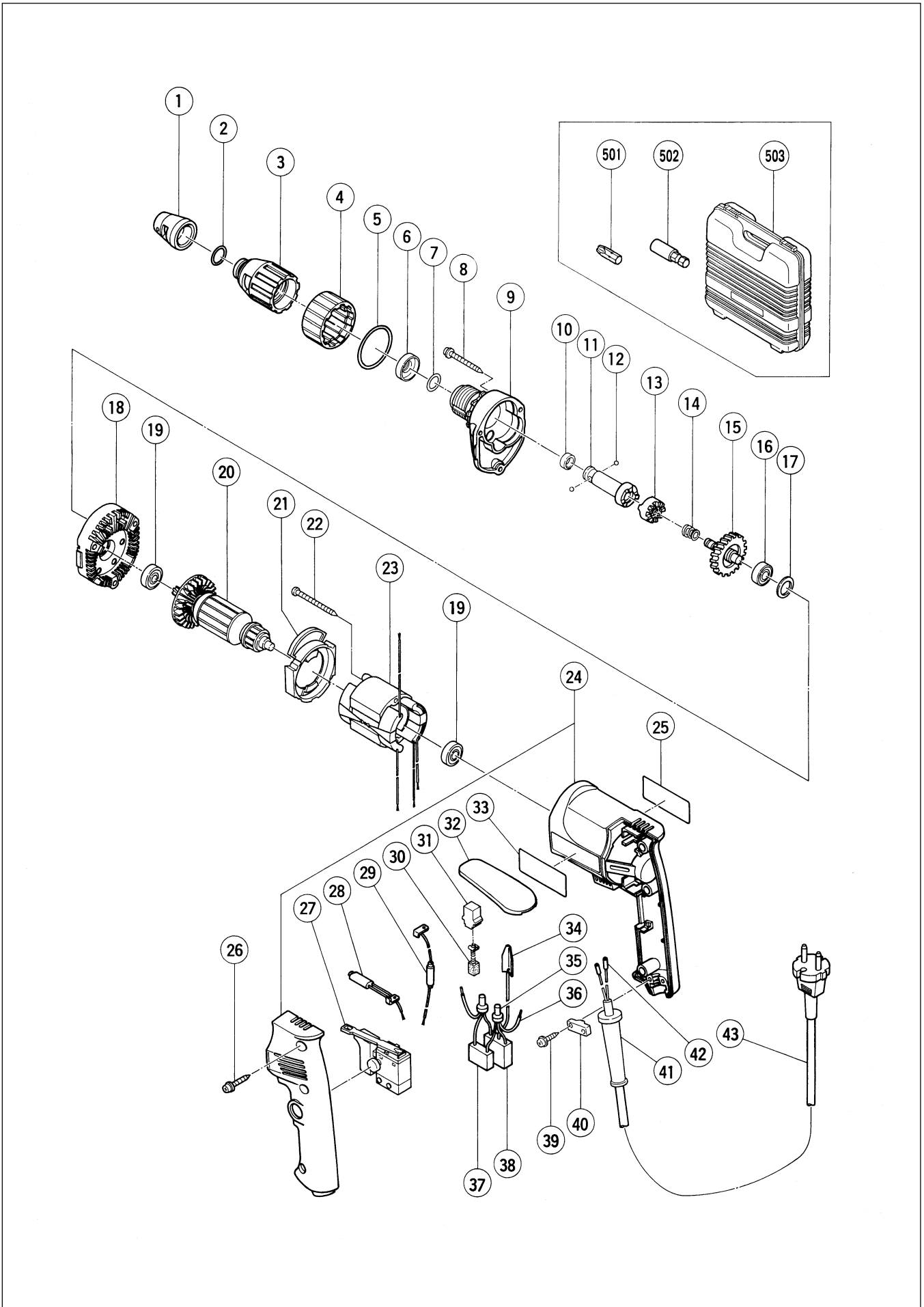


Assembly Diagram for W 6V3



PARTS

W 6V3

ITEM NO.	CODE NO.	DESCRIPTION	NO. USED	REMARKS
* 1	317-672	SUB STOPPER (A) FOR BIT HOLDER (41L)	1	FOR KUW,NZL,GBR,ITA,FRG,FRA,HOL,FIN, AUT,NOR,SWE,DEN,ESP,KOR
* 1	317-673	SUB STOPPER (C) FOR BIT HOLDER (75L)	1	FOR AUS,FRG,CHN
* 1	318-629	SUB STOPPER (E) FOR BIT HOLDER	1	FOR USA,CAN
2	876-031	O-RING (S-16)	1	
3	317-666	LOCATOR (A)	1	
4	317-665	LOCK SLEEVE (A)	1	
5	873-731	O-RING (S-28)	1	
6	971-468	FRINGER (A)	1	
7	317-662	O-RING (F)	1	
8	306-664	TAPPING SCREW (W/FLANGE) D4X40	3	
9	318-342	GEAR COVER ASS'Y	1	INCLUD.7
10	872-573	SET RING	1	
11	318-341	SOCKET (A) ASS'Y	1	INCLUD.10,12
12	959-148	STEEL BALL D3.175 (10 PCS.)	2	
13	307-016	CLUTCH DISC	1	
14	306-024	SPRING	1	
15	318-340	GEAR	1	
16	608-VVM	BALL BEARING 608VVC2PS2L	1	
17	987-641	WASHER (A)	1	
18	318-339	INNER COVER ASS'Y	1	INCLUD.16,17
19	608-VVM	BALL BEARING 608VVC2PS2L	2	
* 20	360-510C	ARMATURE 110V	1	
* 20	360-509U	ARMATURE ASS'Y 115V	1	INCLUD.19
* 20	360-510E	ARMATURE 220V-230V	1	
* 20	360-510F	ARMATURE 240V	1	
21	305-398	FAN GUIDE (B)	1	
22	950-515	TAPPING SCREW D4X50	2	
* 23	340-436C	STATOR 110V-115V	1	
* 23	340-436E	STATOR 220V-230V	1	
* 23	340-224F	STATOR 240V	1	
24	317-659	HOUSING.HANDLE COVER SET	1	
25		NAME PLATE	1	
26	302-086	TAPPING SCREW (W/FLANGE) D4X20 (BLACK)	3	
* 27	314-916	SPEED CONTROL SWITCH (2P) 100V-115V	1	
* 27	314-921	SPEED CONTROL SWITCH (2P) 220V-240V	1	
* 28	317-668	INTERNAL WIRE (A)	1	
* 28	314-917	INTERNAL WIRE (B) (BLUE)	1	FOR KUW,USA,CAN
* 29	317-669	INTERNAL WIRE (B)	1	
* 29	314-918	INTERNAL WIRE (B) (BROWN)	1	FOR KUW,USA,CAN
* 30	999-041	CARBON BRUSH (1 PAIR)	2	
* 30	999-072	CARBON BRUSH (AUTO STOP TYPE) (1 PAIR)	2	FOR USA,CAN
31	955-203	BRUSH HOLDER	2	
32	317-676	HOOK (A)	1	
33		HITACHI LABEL	1	
* 34	992-635	EARTH TERMINAL	1	EXCEPT FOR KUW,USA,CAN
* 35	959-140	CONNECTOR 50091 (10 PCS.)	2	EXCEPT FOR KUW,USA,CAN
* 36	317-667	INTERNAL WIRE	2	EXCEPT FOR KUW,USA,CAN
* 37	930-039	NOISE SUPPRESSOR	1	EXCEPT FOR KUW,USA,CAN
* 38	994-273	NOISE SUPPRESSOR	1	EXCEPT FOR KUW,USA,CAN
39	305-812	TAPPING SCREW (W/FLANGE) D4X16 (BLACK)	2	

* : ALTERNATIVE PARTS

10 - 99

