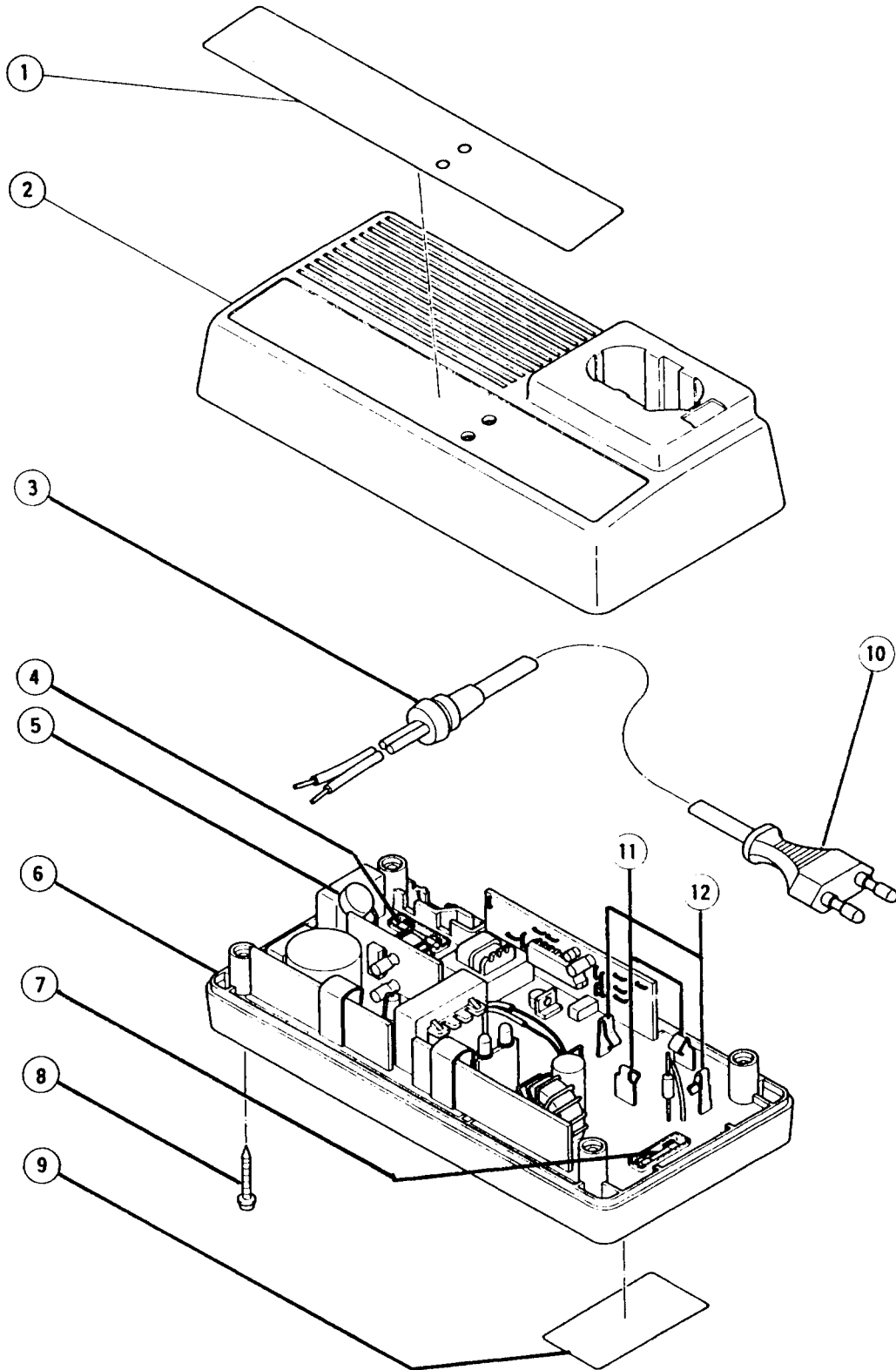


ELECTRIC TOOL PARTS LIST

■ **CHARGER**
Model UC 12YB

1993 • 2 • 20
(E1)



PARTS

UC 12YB

ITEM NO.	CODE NO.	DESCRIPTION	NO. USED	REMARKS	
*	1	CAUTION PLATE	1		
*	1	CAUTION PLATE	1	FOR FRG,AUT,BEL	
*	2	306 - 360	CASE (A)	1	
*	2	307 - 659	CASE (A)	1	FOR AUS,SWE,FIN
*	3	991 - 167	CORD ARMOR	1	EXCEPT FOR SRI
	4	307 - 658	FUSE (3.15A)	1	
	5	305 - 087	VARISTOR	1	
*	6		CASE (B) ASS'Y	1	INCLUD.4,5,7 Replace the whole unit with new one
	7	306 - 362	FUSE (15A)	1	
	8	300 - 036	TAPPING SCREW (W/FLANGE) D3X20	4	
	9		NAME PLATE	1	
*	10	980 - 642Z	CORD	1	
*	10	980 - 643Z	CORD	1	FOR NZL
*	10	307 - 660	CORD	1	FOR AUS
*	10	307 - 216	CORD	1	FOR GBR
*	10	984 - 430Z	CORD	1	FOR SRI (WITH CORD ARMOR)
	11	306 - 880	TERMINAL (A)	1	
	12	306 - 881	TERMINAL (B)	1	

*: ALTERNATIVE PARTS