

SNS44XP



Parts Reference Guide

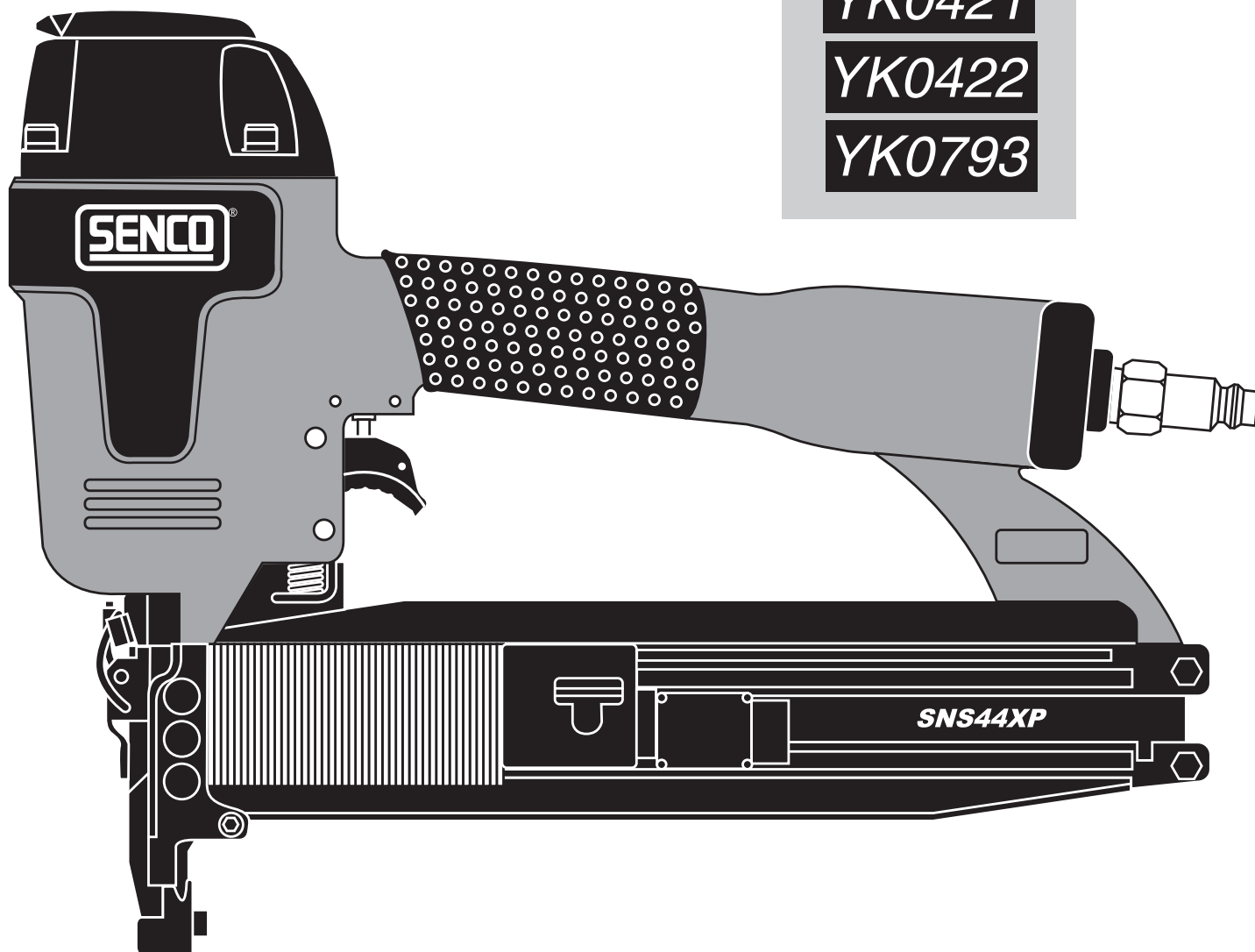


Repair Kits

YK0421

YK0422

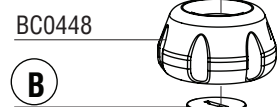
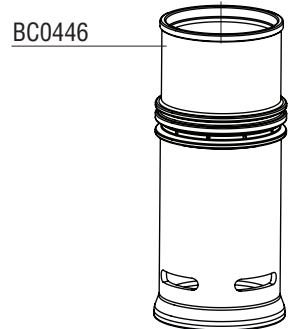
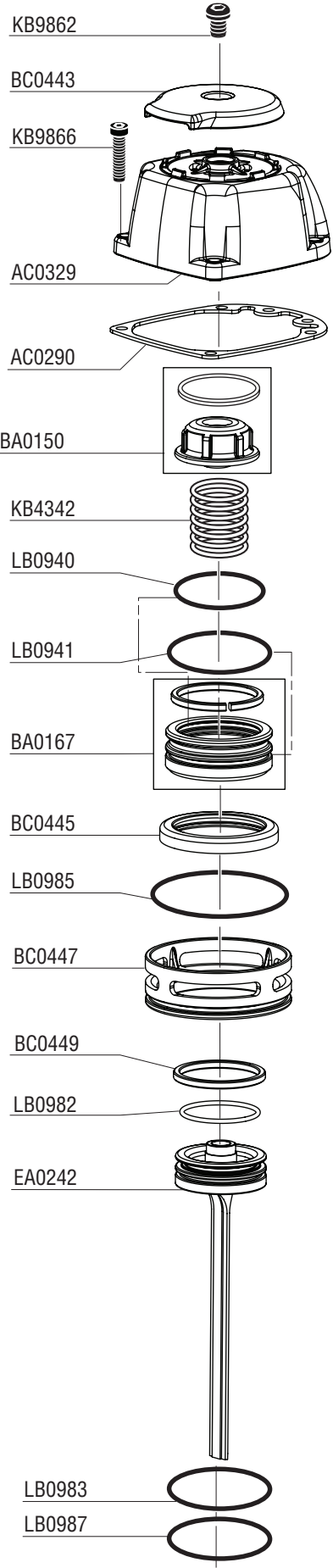
YK0793



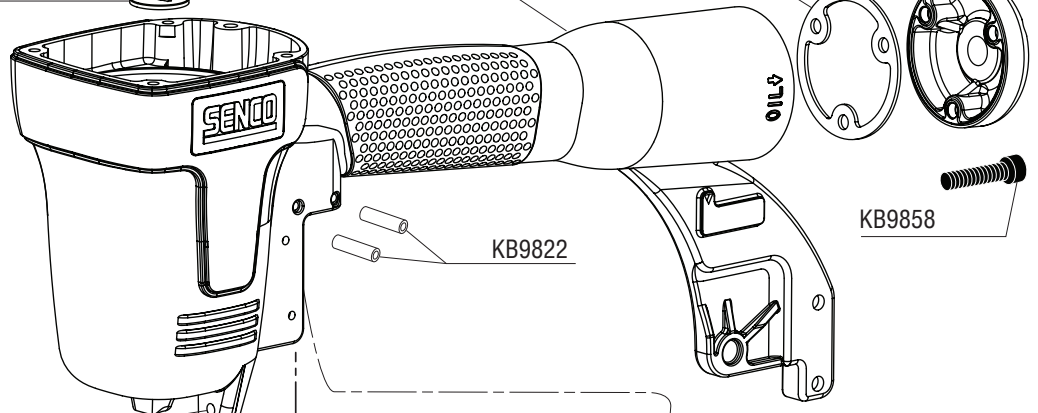
* Schematic drawings inside

Senco Brands, Inc.
4270 Ivy Pointe Blvd.
Cincinnati, Ohio 45245
Visit our Website www.senco.com
EMEA Website www.verpa-senco.com

Questions? Comments? call SENCO's toll-free Action-line:
1-800-543-4596 (North & South America only)
or e-mail: toolprof@senco.com



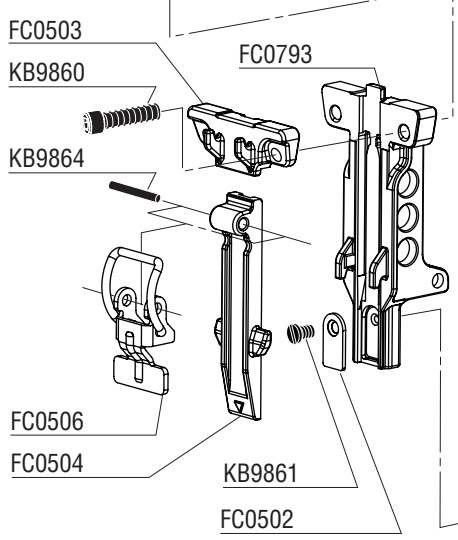
B



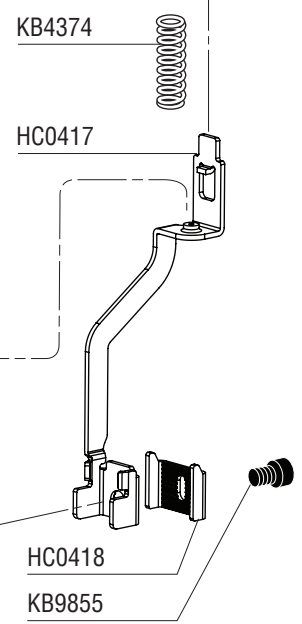
Tool #	Model
3B0101N	Contact Actuation
3B0002N	Single Sequential
3B2001N	Contact Actuation
3B2002N	Single Sequential

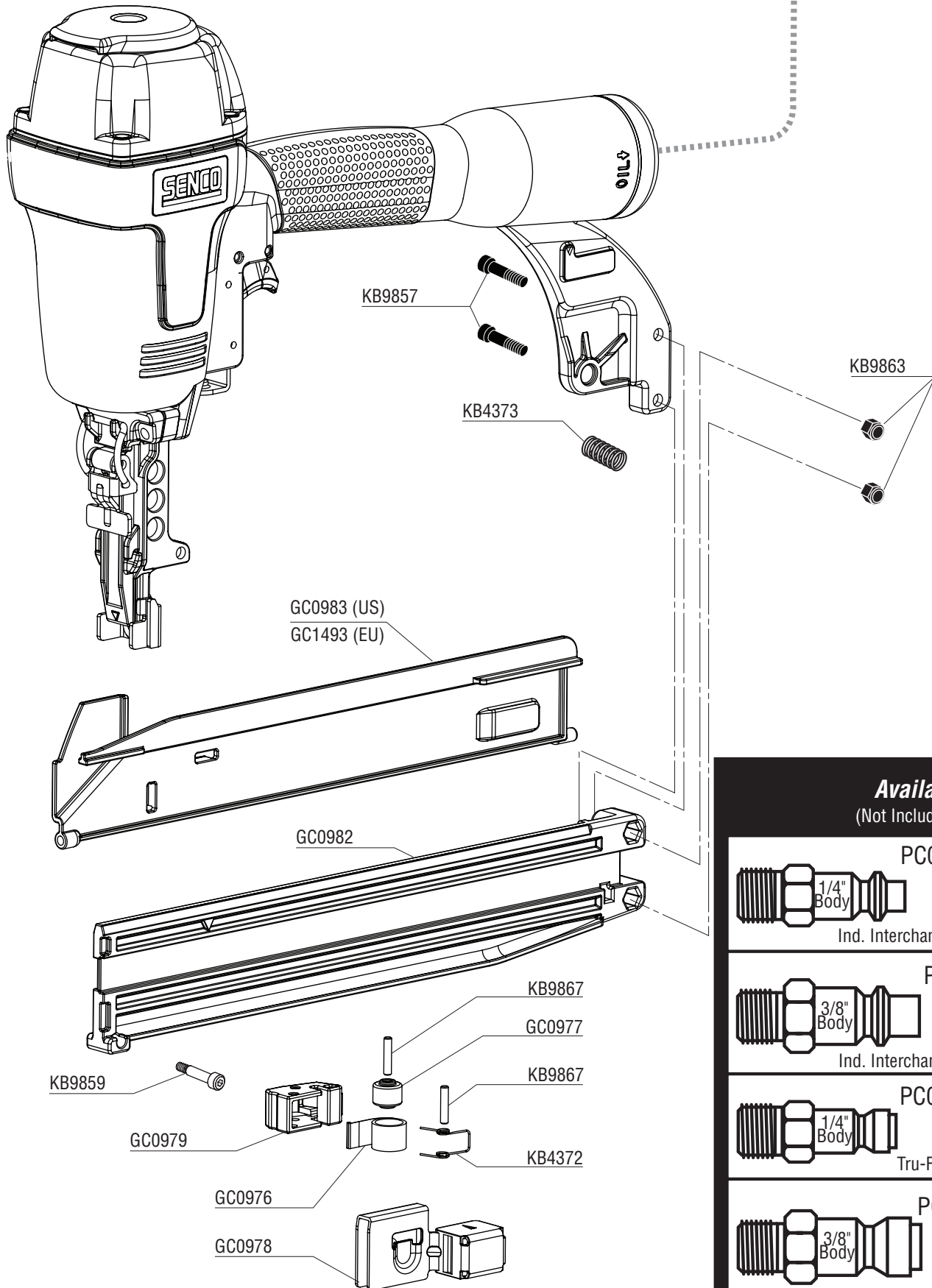
A Trigger	
HA0145	Contact Actuation
HA0148	Single Sequential

B Guide	
BC0434	Used w/EA0223 P/D asy only
BC0853	Used w/EA0242 P/D asy only




A








NFG03B Revised February 20, 2012 (Replaces 1/27/12) © 2012 by SENC0 Brands, Inc. Cincinnati, Ohio 45245 - U.S.A.

Available Plugs (Not Included with Tool)

- 

PC0480 ✓
1/4" Body
Ind. Interchange 3/8" NPT
- 

PC0485
3/8" Body
Ind. Interchange 3/8" NPT
- 

PC0469 ✓
1/4" Body
Tru-Flate 3/8" NPT
- 

PC0475
3/8" Body
Tru-Flate 3/8" NPT

✓ **Recommended Plugs**
Plugs shown smaller than actual size

PART NO.	DESCRIPTION	DESCRIPCIÓN	BESCHREIBUNG	DÉSIGNATION
AB0191	MAIN BODY	CARCASA	GEHÄUSE	CORPS
AC0290	SEAL	SELLO	DICHTUNG	JOINT
AC0292	SEAL	SELLO	DICHTUNG	JOINT
AC0329	CAP	TAPA	KAPPE	BOUCHON
AC0330	CAP	TAPA	KAPPE	BOUCHON
BA0150	STOP	TOPE	PUFFER	ARRÊT
BA0167	VALVE	VÁLVULA	VENTIL	VALVE
BC0434	GUIDE	GUÍA	FÜHRUNG	GUIDE
BC0443	DEFLECTOR	DESVIADOR	ABWEISER	DÉFLECTEUR
BC0445	SEAL	SELLO	DICHTUNG	JOINT
BC0446	CYLINDER	CILINDRO	ZYLINDER	CYLINDRE
BC0447	BUSHING	CASQUILLO	HÜLSE	DOUILLE
BC0448	BUMPER	AMORTIGUADOR	PUFFER	AMORTISSEUR
BC0449	SEAL	SELLO	DICHTUNG	JOINT
BC0853	GUIDE	GUÍA	FÜHRUNG	GUIDE
CA0126	TRIGGER VALVE ASSY	ASAMBLE DE VÁLVULA	VENTIL-ZUSAMMENBAU	VALVE D'ASSEMBLÉE
EA0242	DRIVER ASSY	PERCUSOR	TREIBER	COUTEAU
FC0502	INSERT	ACOPLAMIENTO	EINSATZ	INSERT
FC0503	UPPER DOOR	PUERTA	ABDECKSCHIEBER	PORTE
FC0504	DOOR	PUERTA	ABDECKSCHIEBER	PORTE
FC0506	LATCH ASSEMBLY	ASAMBLE DE UÑETA	VERSCHLUSS-ZUSAMMENBAU	DOIGT DE RETENUE D'ASSEMBLÉE
FC0793	GUIDEBODY	PLACA DE NARIZ	KLAMMERFÜHRUNG	FRONT
GC0976	SPRING	RESORTE	FEDER	RESSORT
GC0977	ROLLER	RODILLO	ROLLE	GALET
GC0978	FEEDER SHOE	ALIMENTADOR	NAGELSCHIEBER	POUSSOIR
GC0979	LATCH	UÑETA	VERSCHLUSS	DOIGT DE RETENUE
GC0982	MAGAZINE	CARGADOR	MAGAZIN	MAGASIN
GC0983	MAGAZINE CAP (US)	TAPA	KAPPE	BOUCHON
GC1493	MAGAZINE CAP (EU)	TAPA	KAPPE	BOUCHON
HA0145	TRIGGER ASSEMBLY	ASAMBLE DE GATILLO	AUSLÖSER-ZUSAMMENBAU	GÂCHETTE D'ASSEMBLÉE
HA0148	TRIGGER ASSEMBLY	ASAMBLE DE GATILLO	AUSLÖSER-ZUSAMMENBAU	GÂCHETTE D'ASSEMBLÉE
HC0365	PIN	PASADOR	STIFT	GOUPILLE
HC0369	GUIDE	GUÍA	FÜHRUNG	GUIDE
HC0417	SAFETY ELEMENT	SEGURO	SICHERHEITSVORRICHTUNG	PALPEUR DE SÉCURITÉ
HC0418	COVER	CUBIERTA	ABDECKUNG	COUVERCLE
KB4342	SPRING	RESORTE	FEDER	RESSORT
KB4372	SPRING	RESORTE	FEDER	RESSORT
KB4373	SPRING	RESORTE	FEDER	RESSORT
KB4374	SPRING	RESORTE	FEDER	RESSORT
KB9822	PIN	PASADOR	STIFT	GOUPILLE
KB9855	SCREW	TORNILLO	SCHRAUBE	VIS
KB9857	SCREW	TORNILLO	SCHRAUBE	VIS
KB9858	SCREW	TORNILLO	SCHRAUBE	VIS
KB9859	SCREW	TORNILLO	SCHRAUBE	VIS
KB9860	SCREW	TORNILLO	SCHRAUBE	VIS
KB9861	SCREW	TORNILLO	SCHRAUBE	VIS
KB9862	SCREW	TORNILLO	SCHRAUBE	VIS
KB9863	NUT	TUERCA	MUTTE	ÉCROU
KB9864	PIN	PASADOR	STIFT	GOUPILLE
KB9866	SCREW	TORNILLO	SCHRAUBE	VIS
KB9867	ROLLER PIN	PASADOR	STIFT	GOUPILLE
KC0865	RETAINER	RETÉN	SICHERUNGSRING	RETENUE
LB0940	SEAL	SELLO	DICHTUNG	JOINT
LB0941	SEAL	SELLO	DICHTUNG	JOINT
LB0982	SEAL	SELLO	DICHTUNG	JOINT
LB0983	SEAL	SELLO	DICHTUNG	JOINT
LB0985	SEAL	SELLO	DICHTUNG	JOINT
LB0987	SEAL	SELLO	DICHTUNG	JOINT