

18 Ga. Finish Stapler

Parts Reference Guide
**Guía de referencia
de piezas**
**Pièces Guide
de référence**

Schematic Drawings Inside
Plano esquemático en el interior
Schéma intérieur



Repair Kit
YK0780

SENCO[®]

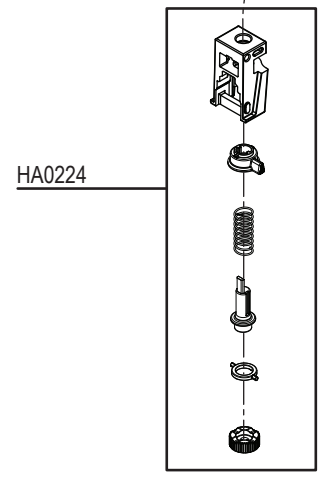
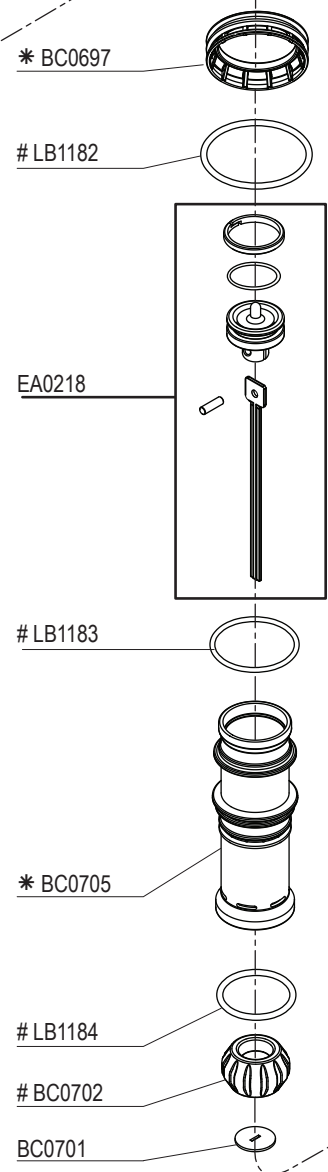
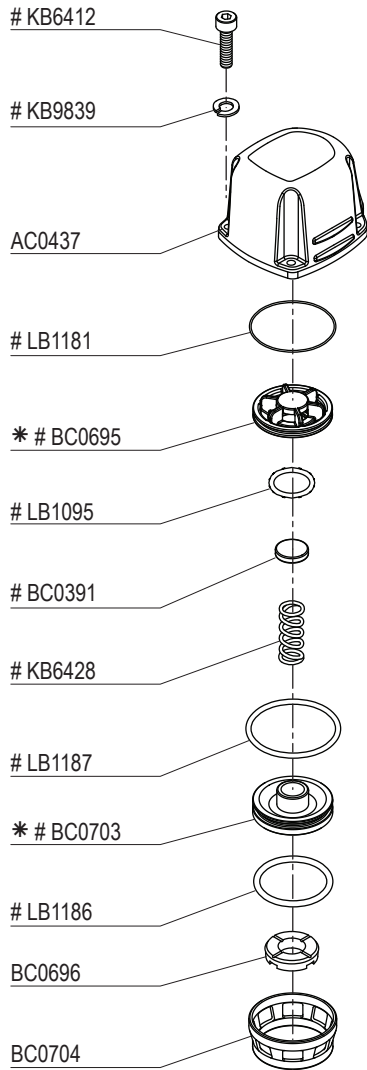
Senco Brands, Inc.
4270 Ivy Pointe Blvd.
Cincinnati, OH 45245
1-800-543-4596
www.senco.com

NFG01W • March 26, 2018, Replaces 2/23/17

Questions? Comments? call SENCO's toll-free Action-Line: 1-800-543-4596
(North and South America Only) or email: toolprof@senco.com

¿Tiene preguntas? ¿Comentarios? Llame a la línea gratuita de acción de Senco: 1-800-543-4596
(sólo para América del Norte y del Sur) o envíe un correo electrónico: toolprof@senco.com

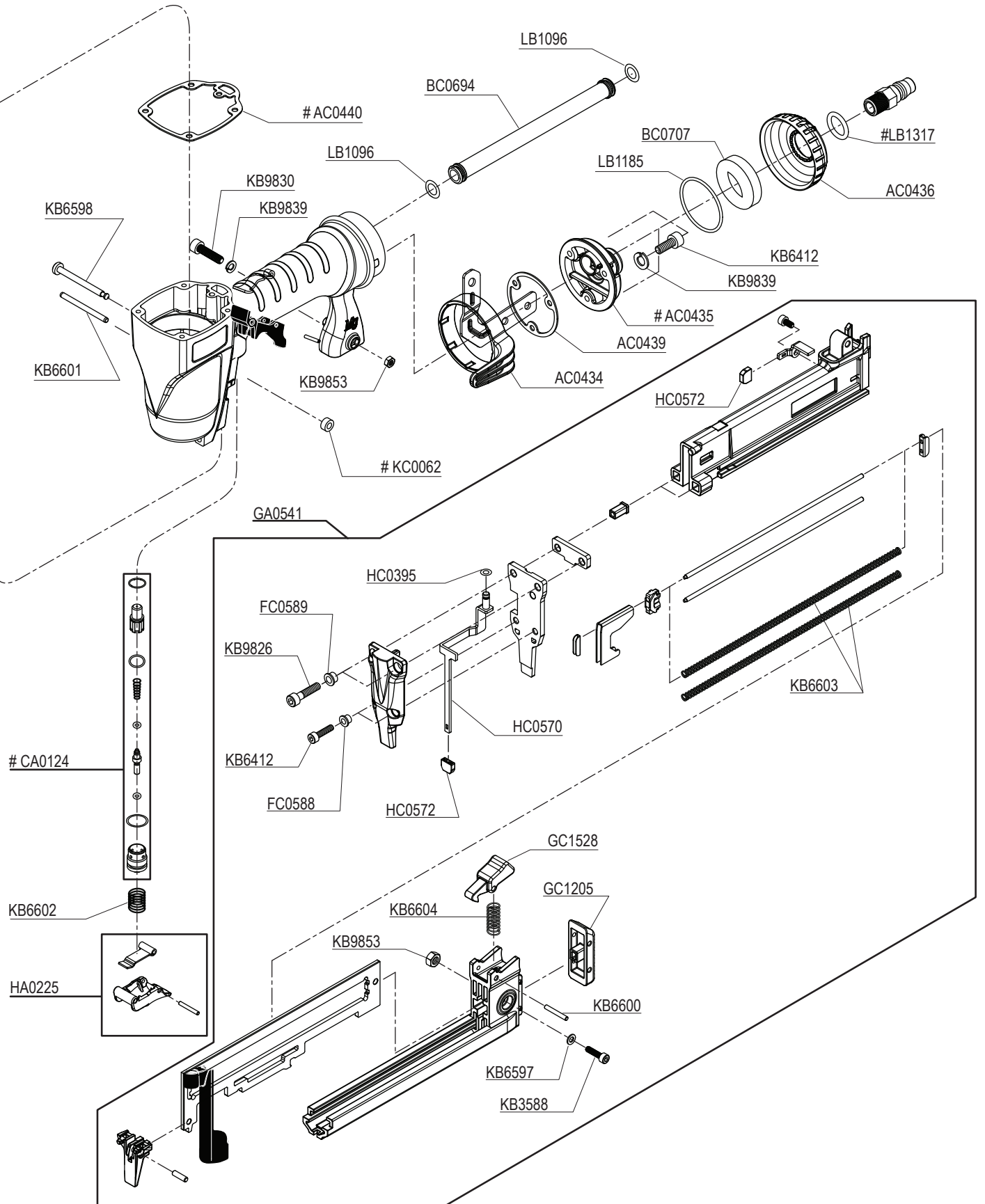
Des questions? Des commentaires? Communiquez avec le service d'assistance sans frais de Senco : 1-800-543-4596
(Amérique du Nord et Amérique du Sud seulement) ou envoyer un courriel: toolprof@senco.com



* Does Not Include O-rings
* No incluye sellos de gomas
* Joints exclus

18 Ga. Finish Stapler

SLS18Mg



REPLACEMENT PARTS LIST • LISTA DE PARTES DE REPUESTO • LISTE DE PIÈCES DE RECHANGE

| PART NO. | DESCRIPTION | DESCRIPCIÓN | DÉSIGNATION |
|----------|------------------------|----------------------------|----------------------|
| AB0211 | MAINBODY | CARCASA | CORPS |
| AC0434 | BELT HOOK | GANCHO DE CINTURÓN | CROCHET DE CEINTURE |
| AC0435 | CAP | TAPA | BOUCHON |
| AC0436 | COVER | PLACA | BOUCLIER ANTIABRASIS |
| AC0437 | CAP | TAPA | BOUCHON |
| AC0439 | SEAL (GASKET) | SELLO | JOINT |
| AC0440 | SEAL (GASKET) | SELLO | JOINT |
| BC0391 | SEAL | SELLO | JOINT |
| BC0694 | TUBE | CILINDRO | CYLINDRE |
| BC0695 | EXHAUST VALVE | VÁLVULA | VALVE |
| BC0696 | STOP | TOPE | ARRÊT |
| BC0697 | SPACER | SEPARADOR | ENTRETOISE |
| BC0701 | WASHER | ARANDELA | RONDELLE |
| BC0702 | STOP PISTON | TOPE | ARRÊT |
| BC0703 | VALVE | VÁLVULA | VALVE |
| BC0704 | COLLAR | CILINDRO | CYLINDRE |
| BC0705 | CYLINDER | CILINDRO | CYLINDRE |
| BC0707 | MUFFLER | SILENCIADOR | SILENCIEUX |
| CA0124 | TRIGGER VALVE ASY | ASAMBLE DE GATILLO VÁLVULA | GÂCHETTE/ VALVE |
| EA0218 | PISTON/DRIVER ASSY | ASAMBLE DE PISTON Y | PISTON/COUTEAU |
| FC0588 | SPACER | SEPARADOR | ENTRETOISE |
| FC0589 | SPACER | SEPARADOR | ENTRETOISE |
| GA0541 | MAGAZINE ASY | ASAMBLE DE CARRIL | RAIL D'ASSEMBLÉE |
| GC1205 | CAP | TAPA | BOUCHON |
| GC1528 | LATCH | UNETA | DOIGT DE RETENUE |
| HA0224 | SAFETY ELEMENT (UPPER) | SEGURO DE SUPERIOR | SÉCURITÉ EN DESSUS |
| HA0225 | TRIGGER ASSY | ASAMBLE DE GATILLO | GACHETTED'ASSEMBLÉE |
| HC0395 | RING | ANILLO | ANNEAU |
| HC0570 | SAFETY ELEMENT (LOWER) | SEGURO DE INFERIOR | SÉCURITÉ EN DESSOUS |
| HC0572 | CUSHION (PAD) | AMORTIGUADOR | COUSSIN |
| KB0062 | RETAINER | JUNTA TÓRICA | RETENUE |
| KB3588 | SCREW | TORNILLO | VIS |
| KB6412 | SCREW | TORNILLO | VIS |
| KB6428 | SPRING | RESORTE | RESSORT |
| KB6597 | WASHER | ARANDELA | RONDELLE |
| KB6598 | PIN | PASADOR | GOUPILLE |
| KB6600 | PIN | PASADOR | GOUPILLE |
| KB6601 | PIN | PASADOR | GOUPILLE |
| KB6602 | SPRING | RESORTE | RESSORT |
| KB6603 | SPRING | RESORTE | RESSORT |
| KB6604 | SPRING | RESORTE | RESSORT |
| KB9826 | SCREW | TORNILLO | VIS |
| KB9830 | SCREW | TORNILLO | VIS |
| KB9839 | WASHER | ARANDELA | RONDELLE |
| KB9853 | NUT | TUERCA | ÉCROU |
| KC0062 | RETAINER | RETÉN | RETENUE |
| LB1095 | SEAL | SELLO | JOINT |
| LB1096 | SEAL | SELLO | JOINT |
| LB1181 | SEAL | SELLO | JOINT |
| LB1182 | SEAL | SELLO | JOINT |
| LB1183 | SEAL | SELLO | JOINT |
| LB1184 | SEAL | SELLO | JOINT |
| LB1185 | SEAL | SELLO | JOINT |
| LB1186 | SEAL | SELLO | JOINT |
| LB1187 | SEAL | SELLO | JOINT |
| LB1317 | SEAL | SELLO | JOINT |