

SJ10

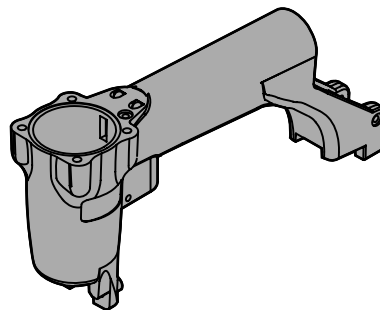
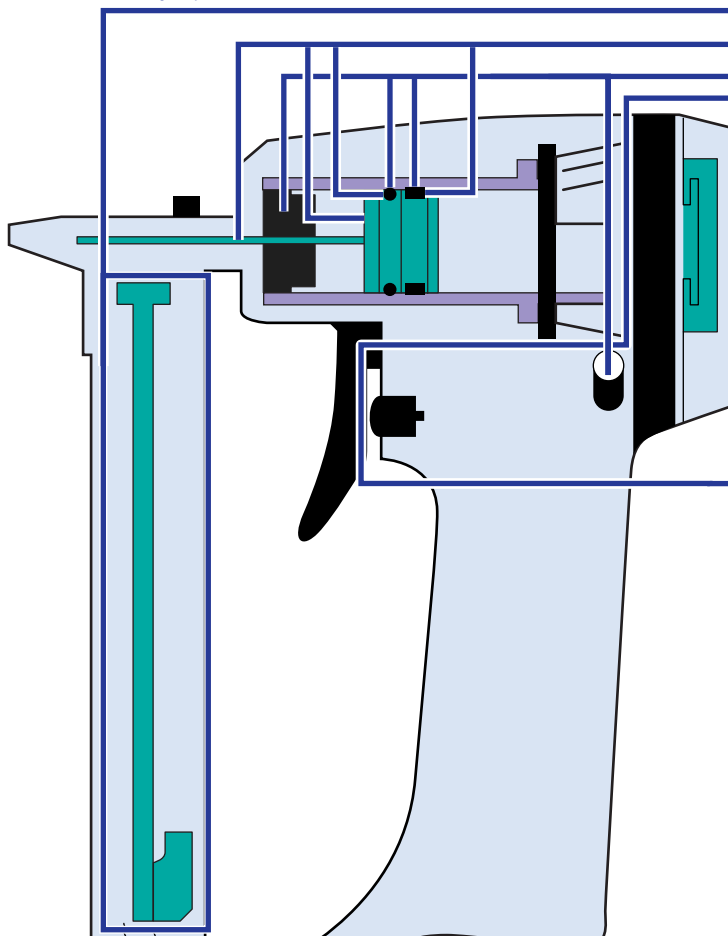
Parts Reference Guide



Senco Products, Inc.
8485 Broadwell Road
Cincinnati, Ohio 45244

Visit our Website www.senco.com

Questions? Comments? call SENCO's toll-free Action-line: 1-800-543-4596
or e-mail: toolprof@senco.com



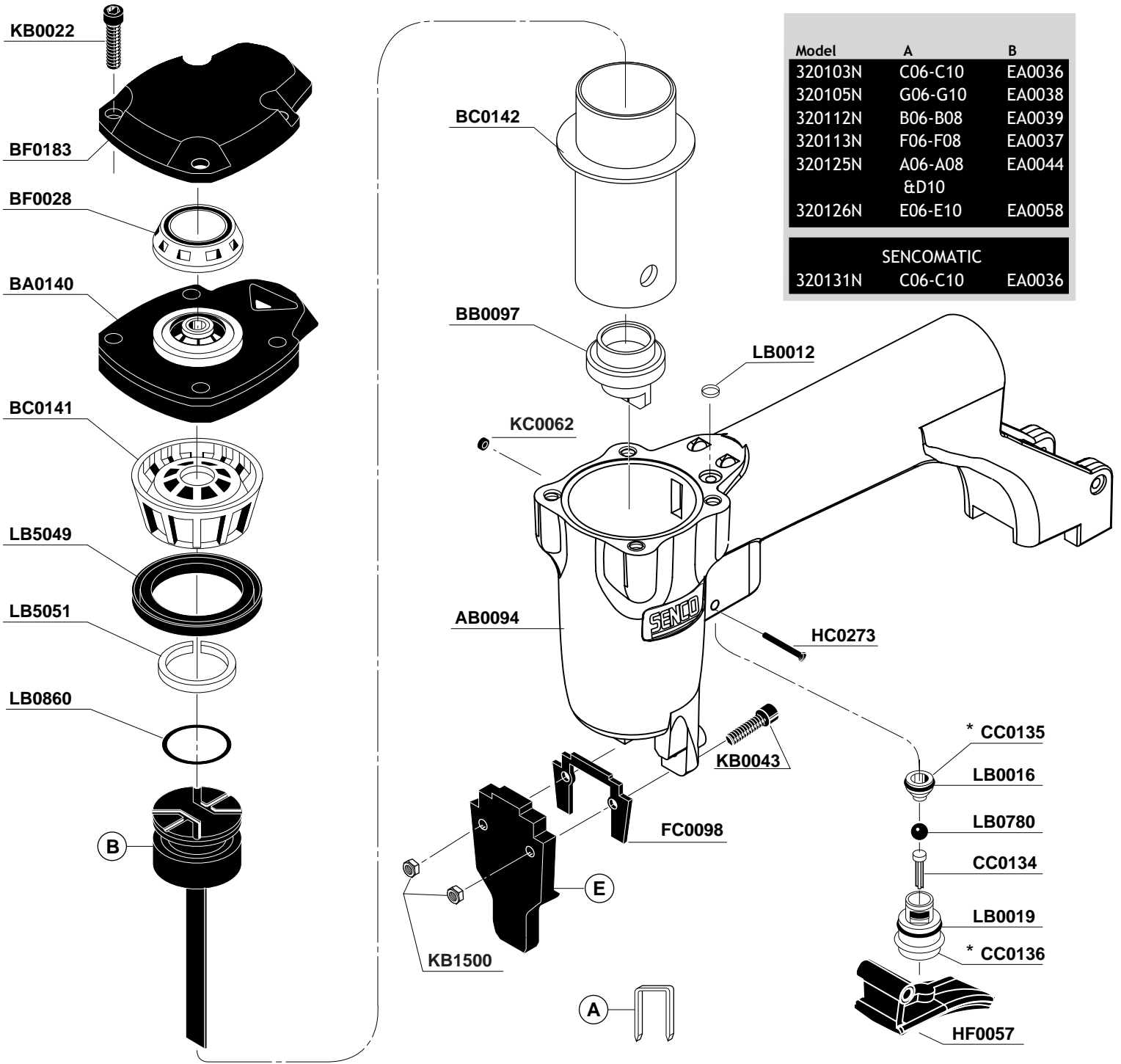
* Schematic Drawings inside

Parts Kits

Staple Size

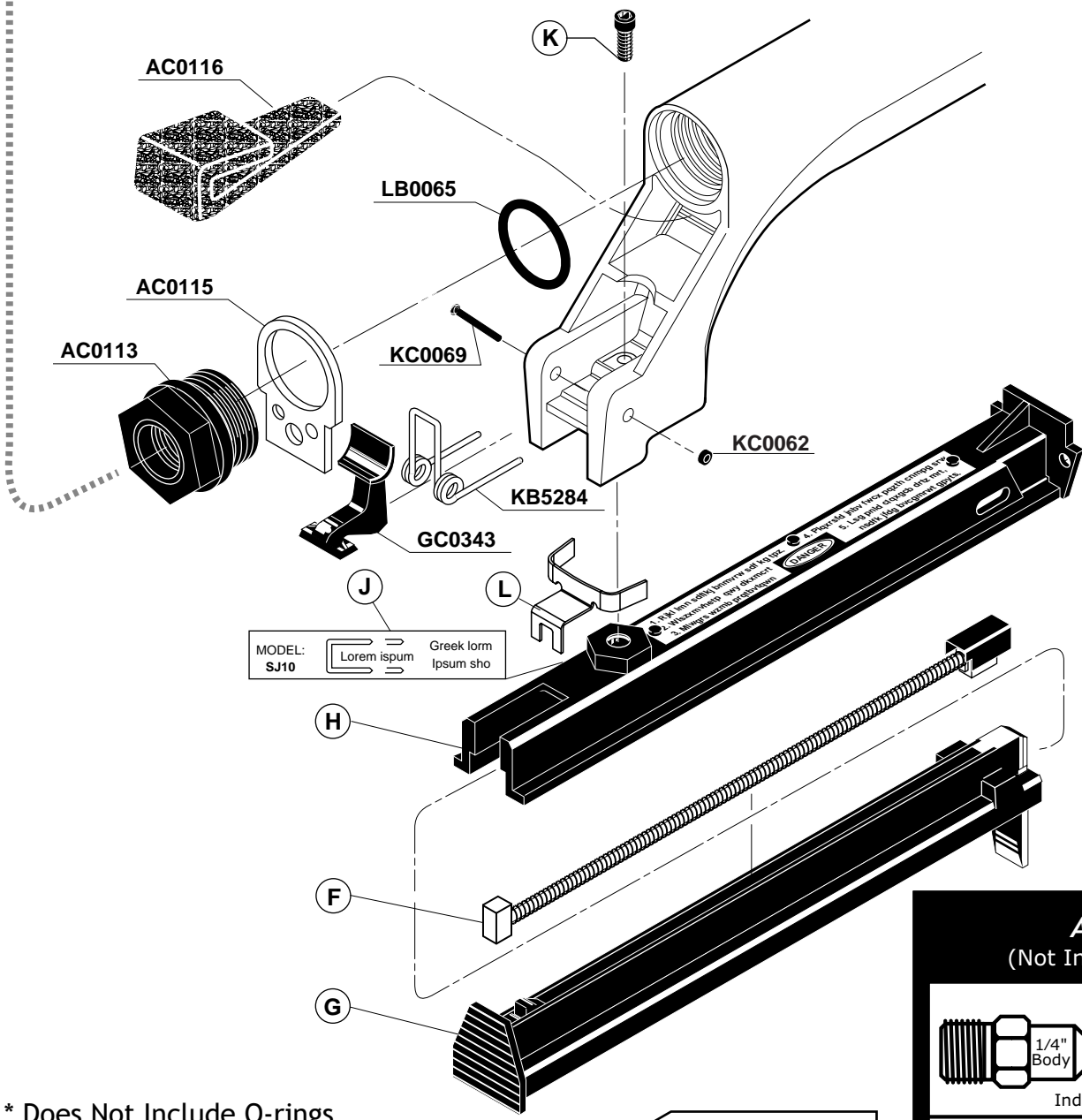
| | | |
|---|--------|----------|
| D | YK0111 | A, D, E |
| | YK0112 | C, G |
| | YK0114 | B06, F06 |
| C | YK0108 | B |
| | YK0109 | G |
| | YK0110 | F |
| | YK0115 | A, D |
| | YK0116 | E |
| B | YK0106 | |
| A | YK0278 | |

| | Symptom | Síntoma | Symptome | Symptôme | |
|---|---|---|---|--|---|
| A | Air Leak (Top) Tool does nothing Sluggish | Escape de Air (Arriba) Herramienta no mueve Operación Floja | Undichtigkeit oben am Gerät Gerät reagiert nicht | Fuite à l'échappement Ne fonctionne plus Appareil lent | A |
| B | Air Leak (Bottom) Poor Return | Escape de Air (Abajo) Retorno Flojo | Undichtigkeit unten am Gerät keine oder nur unzureichende Rückführung | Fuite à la base du moteur Remontée du conteau lente | B |
| C | Weak Drive Broken Driver | Penetrado Flojo Lanzeta Quebrada | Gerät treibt nicht ein Gebrochener Treiber | Peu de puissance Mauvaise percussion | C |
| D | Poor Feed Tool Jamming | Alimentador podre Entrancado de la Herramienta | Befestiger werden nicht nachgeschoben Gerät ist verklemt | Enraiments Mauvaise avance des projectiles | D |

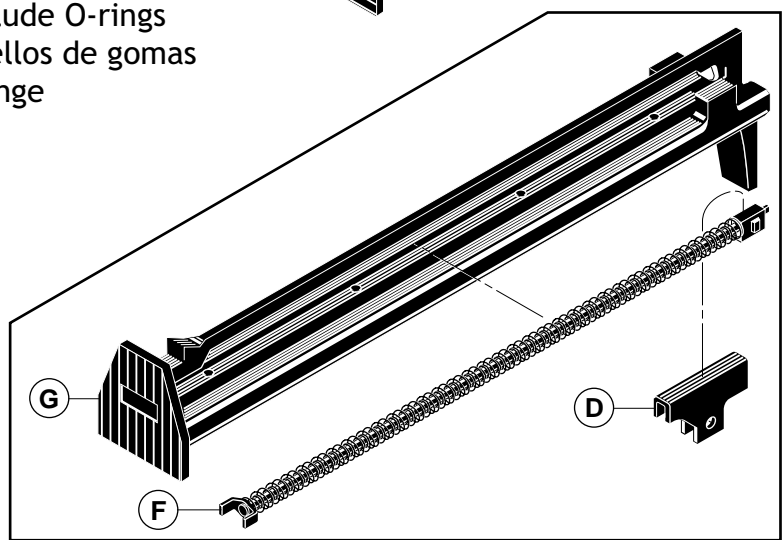


| Model | A | B |
|-------------------|-----------------|--------|
| 320103N | C06-C10 | EA0036 |
| 320105N | G06-G10 | EA0038 |
| 320112N | B06-B08 | EA0039 |
| 320113N | F06-F08 | EA0037 |
| 320125N | A06-A08 &D10 | EA0044 |
| 320126N | E06-E10 | EA0058 |
| SENCOMATIC | | |
| 320131N | C06-C10 | EA0036 |

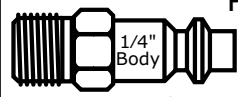
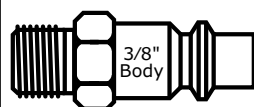
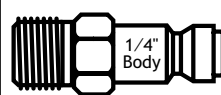
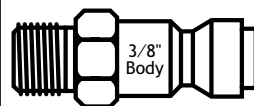
| Model | A | D | E | F | G | H | J | K | L |
|-------------------|---------|--------|--------|--------|--------|--------|--------|--------|--------|
| 320103N | C06-C10 | N/A | FC0152 | GB0246 | GB0243 | GB0250 | FG0016 | KB3126 | N/A |
| 320105N | G06-G10 | N/A | FC0089 | GB0246 | GB0243 | GB0250 | FG0025 | KB3126 | N/A |
| 320112N | B06-B08 | N/A | FC0085 | GB0249 | GB0237 | GB0251 | FG0013 | KB3126 | N/A |
| 320113N | F06-F08 | N/A | FC0087 | GB0249 | GB0237 | GB0251 | FG0026 | KB3126 | N/A |
| 320125N | A06-A08 | GC0375 | FC0090 | GB0271 | GB0281 | GB0252 | FG0010 | KB3125 | GC0428 |
| 320126N | E06-E10 | GC0375 | FC0091 | GB0271 | GB0281 | GB0252 | FG0020 | KB3125 | GC0428 |
| SENCOMATIC | | | | | | | | | |
| 320131N | C06-C10 | N/A | FC0152 | GB0246 | GB0243 | GB0250 | FG0016 | KB3126 | N/A |



- * Does Not Include O-rings
- * No incluye sellos de gomas
- * Ohne Dichtringe
- * Joints exclus



Available Plugs
(Not Included with Tool)

| | |
|---|----------|
|  | PC0479 ✓ |
| 1/4" Body | |
| Ind. Interchange 1/4" MPT | |
|  | PC0486 |
| 3/8" Body | |
| Ind. Interchange 1/4" MPT | |
|  | PC0468 ✓ |
| 1/4" Body | |
| Tru-Flate 1/4" MPT | |
|  | PC0474 |
| 3/8" Body | |
| Tru-Flate 1/4" MPT | |

✓ **Recommended Plugs**
Plugs shown smaller than actual size

| PART NO. | DESCRIPTION | DESCRIPCIÓN | BESCHREIBUNG | DÉSIGNATION |
|----------|----------------------|----------------------------|-----------------------------|---------------------|
| AB0094 | BODY | CARCASA | GEHÄUSE | CORPS |
| AC0113 | ADAPTOR | ADAPTADOR | ADAPTER | ADAPTEUR |
| AC0115 | BRACKET | BRAZO | HALTERUNG | CAVALIER |
| AC0116 | MUFFLER | SILENCIADOR | DÄMPFER | SILENCIEUX |
| BA0140 | VALVE ASSEMBLY | ASAMBLE DE VALVULA | VENTIL-ZUSAMMENBAU | VALVE D'ASSEMBLÉE |
| BB0097 | STOP | TOPE | PUFFER | ARRÊT |
| BC0141 | RETAINER | JUNTA TÓRICA | SICHERUNGSRING | RETENUE |
| BC0142 | CYLINDER | CILINDRO | ZYLINDER | CYLINDRE |
| BF0028 | SEAL | SELLO | DICHTUNG | JOINT |
| BF0183 | DEFLECTOR | DESVIADOR | ABWEISER | DÉFLECTEUR |
| CC0134 | CORE | VÁSTAGO | VENTILSTIFT | NOYAU |
| CC0135 | HOUSING | ALOJAMIENTO | GEHÄUSE | CORPS |
| CC0136 | HOUSING | ALOJAMIENTO | GEHÄUSE | CORPS |
| EA0036 | PISTON ASSEMBLY | ASAMBLE DE PISTON | KOLBEN-ZUSAMMENBAU | PISTON D'ASSEMBLÉE |
| EA0037 | PISTON ASSEMBLY | ASAMBLE DE PISTON | KOLBEN-ZUSAMMENBAU | PISTON D'ASSEMBLÉE |
| EA0038 | PISTON ASSEMBLY | ASAMBLE DE PISTON | KOLBEN-ZUSAMMENBAU | PISTON D'ASSEMBLÉE |
| EA0039 | PISTON ASSEMBLY | ASAMBLE DE PISTON | KOLBEN-ZUSAMMENBAU | PISTON D'ASSEMBLÉE |
| EA0044 | PISTON ASSEMBLY | ASAMBLE DE PISTON | KOLBEN-ZUSAMMENBAU | PISTON D'ASSEMBLÉE |
| EA0058 | PISTON ASSEMBLY | ASAMBLE DE PISTON | KOLBEN-ZUSAMMENBAU | PISTON D'ASSEMBLÉE |
| FC0085 | GUIDE BODY | PLACA DE NARIZ | KLAMMERFÜHRUNG | FRONT |
| FC0087 | GUIDE BODY | PLACA DE NARIZ | KLAMMERFÜHRUNG | FRONT |
| FC0089 | GUIDE BODY | PLACA DE NARIZ | KLAMMERFÜHRUNG | FRONT |
| FC0090 | GUIDE BODY | PLACA DE NARIZ | KLAMMERFÜHRUNG | FRONT |
| FC0091 | GUIDE BODY | PLACA DE NARIZ | KLAMMERFÜHRUNG | FRONT |
| FC0098 | PLATE | PLACA | PLATTE | PLAQUE |
| FC0152 | GUIDE BODY | PLACA DE NARIZ | KLAMMERFÜHRUNG | FRONT |
| FG0010 | LABEL | ETIQUETA | AUFKLEBER | ÉTIQUETTE |
| FG0013 | LABEL | ETIQUETA | AUFKLEBER | ÉTIQUETTE |
| FG0015 | LABEL | ETIQUETA | AUFKLEBER | ÉTIQUETTE |
| FG0016 | LABEL | ETIQUETA | AUFKLEBER | ÉTIQUETTE |
| FG0020 | LABEL | ETIQUETA | AUFKLEBER | ÉTIQUETTE |
| FG0023 | LABEL | ETIQUETA | AUFKLEBER | ÉTIQUETTE |
| FG0025 | LABEL | ETIQUETA | AUFKLEBER | ÉTIQUETTE |
| GB0237 | RAIL ASSEMBLY | ASAMBLE DE CARRIL | SCHIENE-ZUSAMMENBAU | RAIL D'ASSEMBLÉE |
| GB0242 | RAIL ASSEMBLY | ASAMBLE DE CARRIL | SCHIENE-ZUSAMMENBAU | RAIL D'ASSEMBLÉE |
| GB0243 | RAIL ASSEMBLY | ASAMBLE DE CARRIL | SCHIENE-ZUSAMMENBAU | RAIL D'ASSEMBLÉE |
| GB0245 | FEEDER SHOE ASSEMBLY | ENSEMBLAJE DEL ALIMENTADOR | KLAMMERSCHIEBER-ZUSAMMENBAU | POUSOIR D'ASSEMBLÉE |
| GB0246 | FEEDER SHOE ASSEMBLY | ENSEMBLAJE DEL ALIMENTADOR | KLAMMERSCHIEBER-ZUSAMMENBAU | POUSOIR D'ASSEMBLÉE |
| GB0249 | FEEDER SHOE ASSEMBLY | ENSEMBLAJE DEL ALIMENTADOR | KLAMMERSCHIEBER-ZUSAMMENBAU | POUSOIR D'ASSEMBLÉE |
| GB0250 | HOUSING | ALOJAMIENTO | GEHÄUSE | CORPS |
| GB0251 | HOUSING | ALOJAMIENTO | GEHÄUSE | CORPS |
| GB0252 | HOUSING | ALOJAMIENTO | GEHÄUSE | CORPS |
| GB0271 | SPRING ASSEMBLY | ASAMBLE DE RESORTE | FEDER-ZUSAMMENBAU | RESSORT D'ASSEMBLÉE |
| GB0281 | RAIL ASSEMBLY | ASAMBLE DE CARRIL | SCHIENE-ZUSAMMENBAU | RAIL D'ASSEMBLÉE |
| GC0343 | LATCH | UÑETA | VERSCHLUSS | DOIGT DE RETENUE |
| GC0375 | FEEDER SHOE | ALIMENTADOR | KLAMMERSCHIEBER | POUSOIR |
| GCO428 | STOP | TOPE | PUFFER | ARRÊT |
| HC0273 | PIN | PASADOR | STIFT | GOUPILLE |
| HF0057 | TRIGGER | GATILLO | AUSLÖSER | GACHETTE |
| KB0022 | SCREW | TORNILLO | SCHRAUBE | VIS |
| KB0041 | SCREW | TORNILLO | SCHRAUBE | VIS |
| KB0043 | SCREW | TORNILLO | SCHRAUBE | VIS |
| KB1500 | NUT | TUERCA | MUTTER | ÉCROU |
| KB1566 | PIN | PASADOR | STIFT | GOUPILLE |
| KB1667 | PIN | PASADOR | STIFT | GOUPILLE |
| KB3125 | SCREW | TORNILLO | SCHRAUBE | VIS |
| KB3126 | SCREW | TORNILLO | SCHRAUBE | VI |
| KB5284 | SPRING | RESORTE | FEDER | RESSORT |
| KC0062 | RETAINER | JUNTA TÓRICA | SICHERUNGSRING | RETENUE |
| KC0069 | PIN | PASADOR | STIFT | GOUPILLE |
| LB0012 | SEAL | SELLO | DICHTUNG | JOINT |
| LB0016 | SEAL | SELLO | DICHTUNG | JOINT |
| LB0019 | SEAL | SELLO | DICHTUNG | JOINT |
| LB0065 | SEAL | SELLO | DICHTUNG | JOINT |
| LB0780 | SEAL | SELLO | DICHTUNG | JOINT |
| LB0860 | SEAL | SELLO | DICHTUNG | JOINT |
| LB5049 | SEAL | SELLO | DICHTUNG | JOINT |
| LB5051 | SEAL | SELLO | DICHTUNG | JOINT |