

Type:

SCS 6.3-19 T (60Hz,120V)



Part no.:

72109709367

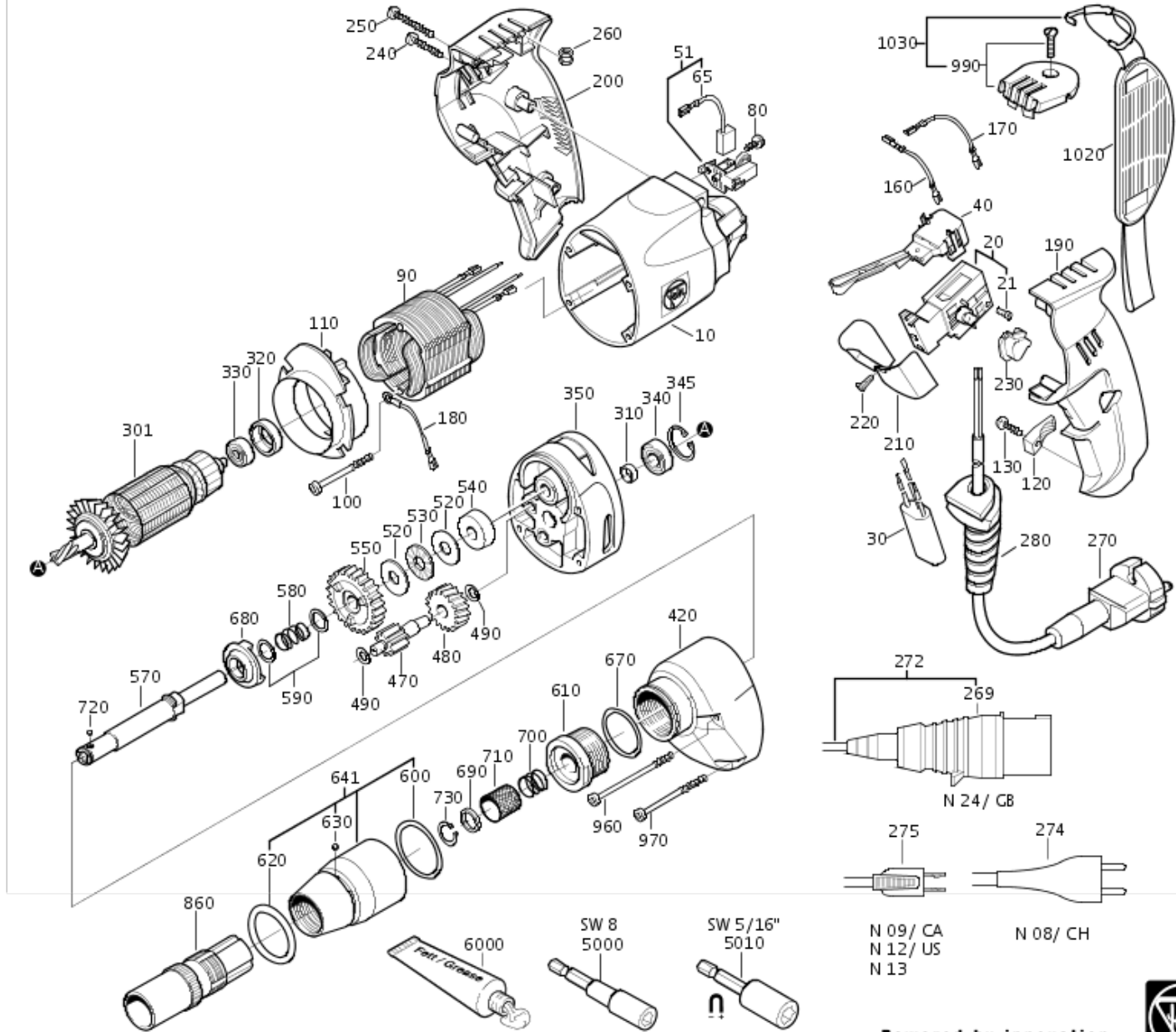
Item	Part no.	Designation	Quantity	Price RPR	AT	Country
0010	31901123015	MOTOR HOUSING ASS.	1	on req.	-	-
0020	30701234002	EL. SPEED CONTROLLER	1	on req.	-	-
0021	43013052033	FILLISTER HEAD SCREW	2	on req.	-	-
0030	30722183018	INTERF. CAPACITOR	1	on req.	-	-
0040	30701227004	Reversing switch	1	on req.	-	-
0051	30712089023	Brush holder	2	on req.	-	-
0065	30711134005	CARBON BRUSH	2	on req.	-	-
0080	43070018009	SCREW	2	on req.	-	-
0090	51274008116	Field with winding	1	on req.	-	-
0100	43070014000	SCREW	2	on req.	-	-
0110	31428126004	AIR CONDUCTING RING	1	on req.	-	-
0120	32431041005	Cable clamp	1	on req.	-	-
0130	43070006008	SCREW	1	on req.	-	-
0160	30719565016	Connection cable	1	on req.	-	-
0170	30719566019	Connection cable	1	on req.	-	-
0180	30719546011	Connection cable	1	on req.	-	-
0190	31201104003	Handle lower part	1	on req.	-	-
0200	31201105007	Handle upper part	1	on req.	-	-
0210	32805171004	Switch lever	1	on req.	-	-
0220	43066006032	Countersunk h. screw	1	on req.	-	-
0230	32805168009	Stopper	1	on req.	-	-
0240	43046028004	SHEET METAL SCREW	2	on req.	-	-
0250	43070007002	SCREW	1	on req.	-	-
0260	42018019043	Insert nut	1	on req.	-	-
0275	30707345019	CABLE ASS.	1	on req.	-	-
0280	31413219003	Protecting sleeve	1	on req.	-	-
0301	53274002117	ARMATURE	1	on req.	-	-
0310	32612087002	PACKING RING	1	on req.	-	-
0320	30507229007	BUSH	1	on req.	-	-
0330	41701235033	GROOVE BALL BEARING	1	on req.	-	-
0340	41701101031	Groove ball bearing	1	on req.	-	-
0345	42644002007	SEEGER CIRCLIP RING	1	on req.	-	-
0350	31506355024	Interm. housing	1	on req.	-	-
0420	31508246036	FRONT HOUSING ASS.	1	on req.	-	-
0470	33713067000	GEAR SHAFT	1	on req.	-	-
0480	33663164001	SPUR WHEEL	1	on req.	-	-
0490	32408243007	DISC	2	on req.	-	-
0520	41719032007	DISC	2	on req.	-	-
0530	41715042002	NEEDLE BEARING	1	on req.	-	-
0540	32601272002	DISC	1	on req.	-	-
0550	33613126000	Spur wheel (Z=38)	1	on req.	-	-
0570	30104127006	Tool holder	1	on req.	X	-
0580	30901345009	PRESSURE SPRING	1	on req.	-	-
0590	32624119032	Washer	2	on req.	-	-
0600	40612165008	O-RING SEAL	1	on req.	-	-
0610	31603046008	Sleeve	1	on req.	-	-
0620	40612163006	O-RING SEAL	1	on req.	-	-
0630	41708017002	BALL	2	on req.	-	-
0641	30505068017	Sleeve ass.	1	on req.	-	-
0670	40612093004	PACKING RING	1	on req.	-	-
0680	30102102007	CAM RING	1	on req.	-	-
0690	32601242005	RING	1	on req.	-	-
0700	30901315002	PRESSURE SPRING	1	on req.	-	-
0710	30503144002	SLEEVE	1	on req.	-	-

Item	Part no.	Designation	Quantity	Price RPR	AT	Country
0720	41708015005	BALL	1	on req.	-	-
0730	42634002009	SEEGER-CIRCLIP RING	1	on req.	-	-
0860	32127021113	Stop sleeve ass.	1	on req.	-	-
0960	43072004004	Screw	2	on req.	-	-
0970	43072002002	Screw	2	on req.	-	-
0990	30240233013	CLAMPING PIECE ASS	1	on req.	-	-
1020	63901011015	Supporting loop	1	on req.	-	-
1030	63901011037	Handbelt	1	on req.	-	-
1040	32217265067	Information lable	1	on req.	-	-
5000	60505007009	Hexagon socket tool	1	on req.	X	-
6000	32160003014	TUBE OF GREASE	1	on req.	-	-
9000	34101022065	Operat.instruction	1	on req.	X	-

Type:  
Part no.:

SCS 6.3-19 T (60Hz,120V)  
72109709367

7 210 97 - SCS 6.3 - 19 T



Powered by innovation

