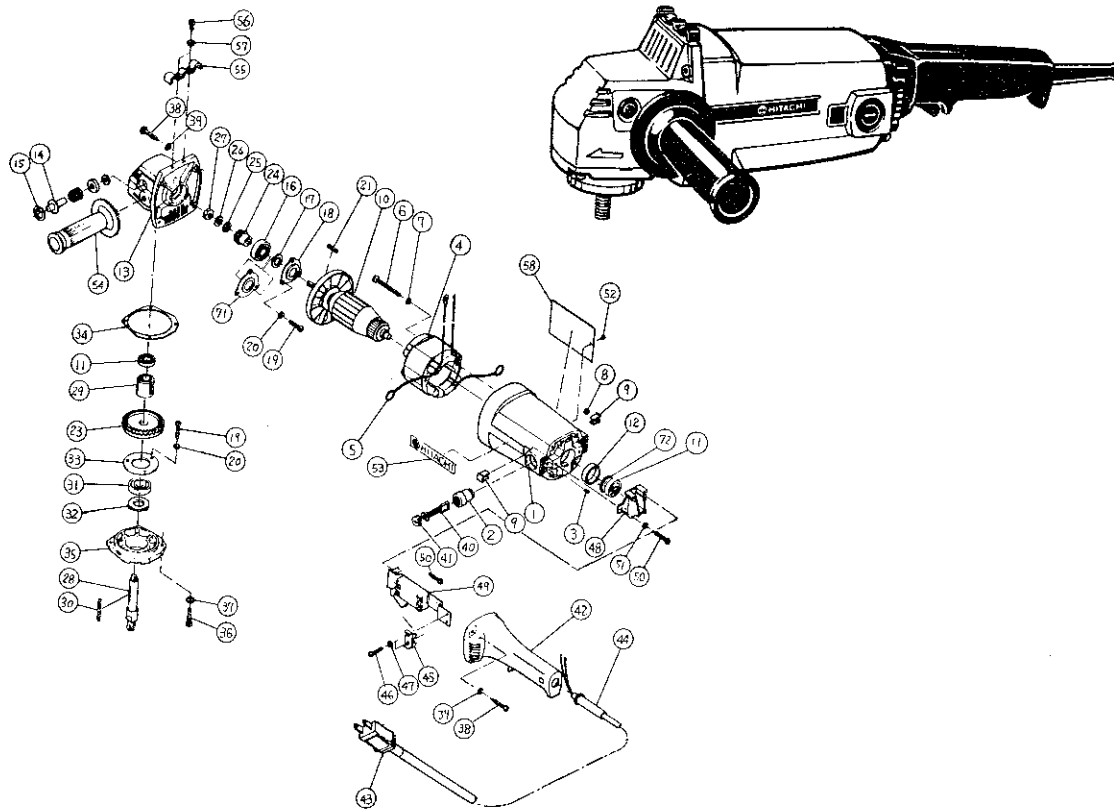




7" DISC SANDER

Model SAG-180



ITEM NO.	PART NO.	NO. USED	DESCRIPTION	SUPPLY Q'TY	ITEM NO.	PART NO.	NO. USED	DESCRIPTION	SUPPLY Q'TY
1	937890Z	1	Housing Assembly (includes Item 2,3)		31	6302VV	1	Ball Bearing 6302VVCMP2S	
2	980487	2	Brush Holder		32	938099	1	Felt Packing (B)	
3	949365	2	Set Screw M4x5	10	33	937035	1	Bearing Cover (B)	
4	981682D	1	Stator Assembly (includes Item 5)		34	937901	1	Seal Packing (B)	
5	958032	2	Brush Terminal		35	937902	1	Packing Gland	
6	966130	2	Machine Screw M5x80		36	949239	4	Machine Screw M5x16	10
7	949454	6	Spring Washer M5	10	37	949454	4	Spring Washer M5	10
8	949555	2	Nut M5	10	38	937807	8	Tapping Screw D5x25	
9	937892	2	Nut Cover		39	949424	4	Washer M5	10
10	937945C	1	Armature Assembly (includes Item 11,72)		40	937943Z	2	Carbon Brush (Auto Stop Type)	2
11	6200VV	1	Ball Bearing 6200VVCMP2S		41	940540	2	Brush Cap	
12	937894	1	Bearing Bush		42	981686P	1	Handle (C)	
13	938107P	1	Gear Cover Assembly (includes Item 14,15)		43	500242Z	1	Cord	
14	938094	1	Lock Pin		44	940778	1	Cord Armor	
15	948011	1	Retaining Ring D16		45	937904	1	Cord Clip	
16	6301VV	1	Ball Bearing 6301VVCMP2S		46	949218	2	Machine Screw M4x14	10
17	936853	1	Felt Packing (A)		47	949453	2	Spring Washer M4	10
18	937896	1	Bearing Cover (A)		48	937905	1	Bearing Cover	
19	949236	6	Machine Screw M5x10	10	49	981685P	1	Double Pole Switch (AC / DC) w / o lock	
20	949454	6	Spring Washer M5	10	50	954004		Tapping Screw D4x16	
21	940533	1	Feather Key 3x3x10		51	949423	3	Washer M4	10
22	937897	1	Gear Assembly (includes Item 23,24)		52	949510	2	Rivet D2.5x4.8	10
23	937898	1	Gear		53	938098	1	HITACHI Label	
24	937899	1	Pinion		54	937981Z	1	Side Handle	
25	937988	1	Washer		55	981681Z	1	Tool Rest	
26	949457	3	Spring Washer M8	10	56	949237	2	Machine Screw M5x12	10
27	949568	1	Lock Nut M8	10	57	949454	2	Spring Washer M5	10
28	938102P	1	Spindle		58	-	1	Name Plate	
29	938096	1	Sleeve		72	955260	1	Dust Seal A	
30	948920	1	Feather Key 4x4x30		73	937946	1	Ball Bearing Seal	