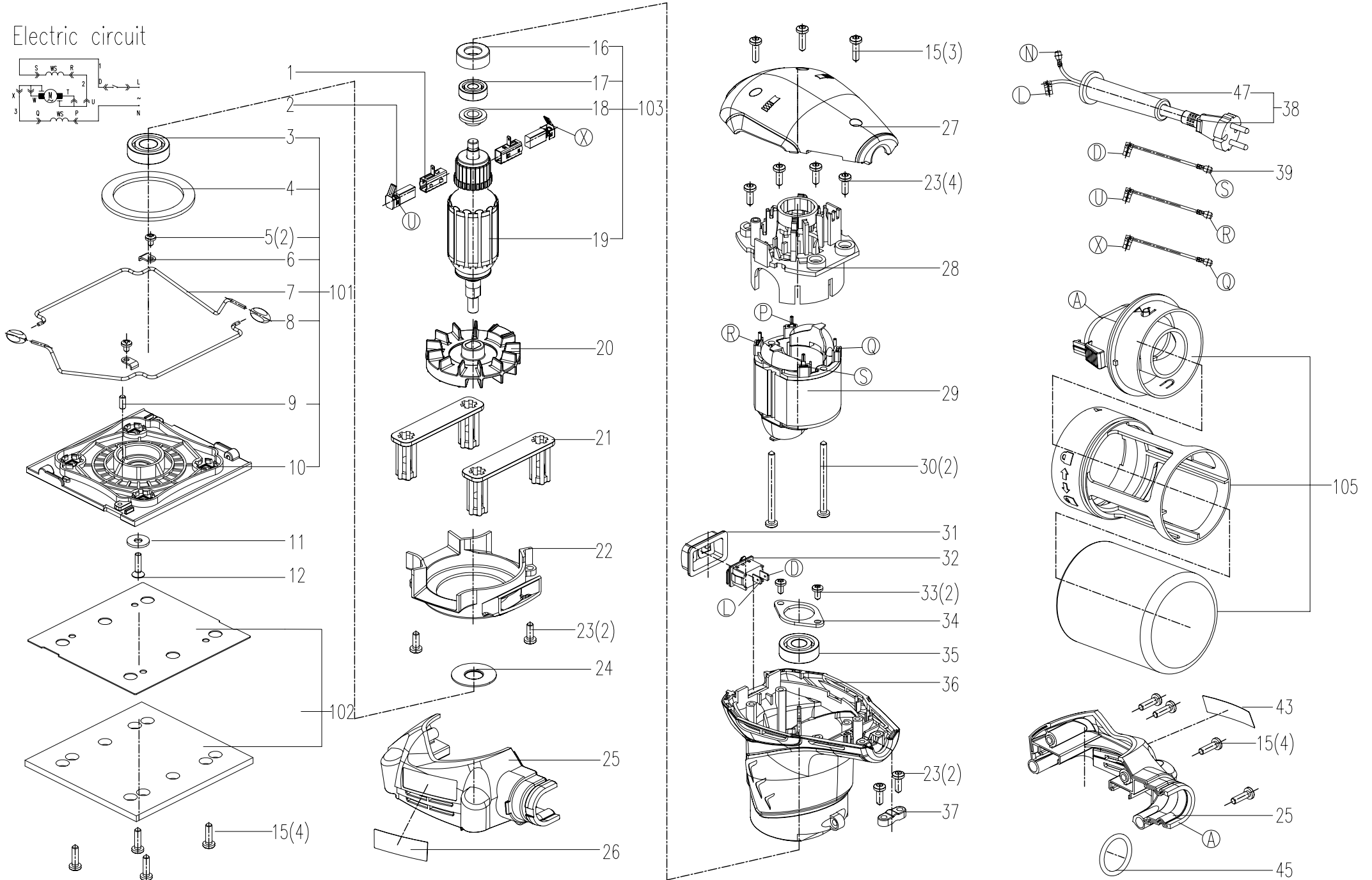
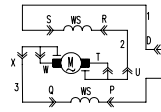


RK4115

Version:00
Date:090106

Electric circuit



RK4115

position#	part#	description	qty
1	50015124	Brush holder	2
2	50017649	Carbon brush assembly	1
3	50017168	Bearing	1
4	50018129	Seal ring	1
5	50002798	Self tapping screw	2
6	50016206	Pressure piece	2
7	50017652	Clamp	2
8	50009569	Steel wire cap	2
9	50000777	Rubber-pin	1
10	50017653	Base plate	1
11	50017492	washer	1
12	50002648	Screw	1
15	50002833	Self tapping screw	11
16	50000737	Bearing sleeve	1
17	50003125	Bearing	1
18	50000393	Dustproof ring	1
19	50017655	Armature	1
20	50017656	Fan	1
21	50017657	Oscillating column	2
22	50017658	Wind baffle	1
23	50002831	Self tapping screw	8
24	50009556	Dustproof ring	1
25	50017946	Left/Right wind baffle	1
25	50017659	Left/right housing	1
26	50017660	Brand label	1
27	50017661	Top cover	1
28	50017662	Bracket	1
29	50017663	Stator	1
30	50002852	Self tapping screw	2
31	50016934	Switch Cover	1
32	50016392	Switch	1
33	50002799	Self tapping screw	2
34	50017664	Press plate	1
35	50014849	Ball bearing	1
36	50017665	Housing	1
37	50000833	Cord clamp	1
38	50017666	Power cord	1

RK4115

39	50017667	Inner wire	3
43	50017669	Rated label	1
45	50000769	O-ring	1
47	50000732	Cord protector	1
101	50017651	Soleplate	1
102	50013820	Foamy board set	1
103	50017654	Rotor	1
105	50017668	Dust collector bag	1