

# POWERMATIC®

## Instructions and Parts Manual PM1300TX Dust Collector



PM1300TX with Filter Bag Kit (1791078K)

Now with



PM1300TX with Canister Kit (1791079K)

WALTER MEIER (Manufacturing) Inc.

427 New Sanford Road  
LaVergne, Tennessee 37086  
Ph.: 800-274-6848  
www.powermatic.com



Part No. M-1791078

Revision A 03/2011

Copyright © 2011 Walter Meier (Manufacturing) Inc.

# Warranty and Service



Walter Meier (Manufacturing) Inc., warrants every product it sells. If one of our tools needs service or repair, one of our Authorized Service Centers located throughout the United States can give you quick service. In most cases, any of these Walter Meier Authorized Service Centers can authorize warranty repair, assist you in obtaining parts, or perform routine maintenance and major repair on your POWERMATIC® tools. For the name of an Authorized Service Center in your area call 1-800-274-6848.

## MORE INFORMATION

Walter Meier is consistently adding new products to the line. For complete, up-to-date product information, check with your local Walter Meier distributor, or visit [powermatic.com](http://powermatic.com).

## WARRANTY

POWERMATIC products carry a limited warranty which varies in duration based upon the product.

	<b>Industrial Products</b> Horizontal Panel Saws Cut Off Saws Rip Saws Bandsaws Jointers Planers Oscillating Edge Sanders	Belt Sanders Shapers Power Feeders Mortisers Dovetailers		<b>Non-Industrial Products</b> Tablesaws Vertical Panel Saws Bandsaws Jointers Planers Planer/Molder Dust Collection	Disc Sanders Edge Sanders Drum Sanders Shapers Drill Press's Mortisers Dovetailers
---	--	--	--	---	--

Warranty reverts to 1 Year if above products are used for commercial, industrial or educational purposes

## WHAT IS COVERED?

This warranty covers any defects in workmanship or materials subject to the exceptions stated below. Cutting tools, abrasives and other consumables are excluded from warranty coverage.

## WHO IS COVERED?

This warranty covers only the initial purchaser of the product.

## WHAT IS THE PERIOD OF COVERAGE?

The general POWERMATIC warranty lasts for the time period specified in the product literature of each product.

## WHAT IS NOT COVERED?

The Five Year Warranty does not cover products used for commercial, industrial or educational purposes. Products with a Five Year Warranty that are used for commercial, industrial or education purposes revert to a One Year Warranty. This warranty does not cover defects due directly or indirectly to misuse, abuse, negligence or accidents, normal wear-and-tear, improper repair or alterations, or lack of maintenance.

## HOW TO GET SERVICE

The product or part must be returned for examination, postage prepaid, to a location designated by us. For the name of the location nearest you, please call 1-800-274-6848.

You must provide proof of initial purchase date and an explanation of the complaint must accompany the merchandise. If our inspection discloses a defect, we will repair or replace the product, or refund the purchase price, at our option.

We will return the repaired product or replacement at our expense unless it is determined by us that there is no defect, or that the defect resulted from causes not within the scope of our warranty in which case we will, at your direction, dispose of or return the product. In the event you choose to have the product returned, you will be responsible for the handling and shipping costs of the return.

## HOW STATE LAW APPLIES

This warranty gives you specific legal rights; you may also have other rights which vary from state to state.

## LIMITATIONS ON THIS WARRANTY

WALTER MEIER (MANUFACTURING) INC., LIMITS ALL IMPLIED WARRANTIES TO THE PERIOD OF THE LIMITED WARRANTY FOR EACH PRODUCT. EXCEPT AS STATED HEREIN, ANY IMPLIED WARRANTIES OR MERCHANTABILITY AND FITNESS ARE EXCLUDED. SOME STATES DO NOT ALLOW LIMITATIONS ON HOW LONG THE IMPLIED WARRANTY LASTS, SO THE ABOVE LIMITATION MAY NOT APPLY TO YOU.

WALTER MEIER SHALL IN NO EVENT BE LIABLE FOR DEATH, INJURIES TO PERSONS OR PROPERTY, OR FOR INCIDENTAL, CONTINGENT, SPECIAL, OR CONSEQUENTIAL DAMAGES ARISING FROM THE USE OF OUR PRODUCTS. SOME STATES DO NOT ALLOW THE EXCLUSION OR LIMITATION OF INCIDENTAL OR CONSEQUENTIAL DAMAGES, SO THE ABOVE LIMITATION OR EXCLUSION MAY NOT APPLY TO YOU.

Walter Meier sells through distributors only. The specifications in Walter Meier catalogs are given as general information and are not binding. Members of Walter Meier reserve the right to effect at any time, without prior notice, those alterations to parts, fittings, and accessory equipment which they may deem necessary for any reason whatsoever.

# Table of Contents

Warranty and Service.....	2
Table of Contents .....	3
Warning .....	4
Introduction .....	6
Specifications .....	6
Unpacking.....	7
Contents of Shipping Carton .....	7
Base Machine Assembly .....	8
Base and Casters.....	8
Motor and Fan Assembly .....	8
Connector Tube and Switch Box .....	8
Collector Housing.....	8
Support Bar .....	8
Handles .....	9
Cone Installation .....	9
Filter System.....	9
Filter Bag System Assembly .....	10
Canister System Assembly.....	11
Electrical Connections.....	12
Extension Cords.....	12
Overload Re-set .....	12
Operating the Machine .....	13
Setting the Timer .....	13
Connecting the Dust Collector to a Machine.....	13
Maintenance .....	13
Cleaning the Filter Bag .....	13
Removing the Collector Bag.....	13
Cleaning the Canister Filter .....	14
Motor.....	14
Grounding Instructions .....	14
Replacement Parts .....	15
Breakdown for PM1300TX Dust Collector (Base Machine) .....	15
Parts List for PM1300TX Dust Collector (Base Machine).....	16
Breakdown for PM1300TX Canister Filter System .....	18
Parts List for PM1300TX Canister Filter System .....	19
Parts List for PM1300TX Filter Bag System.....	20
Electrical Connections .....	21



# Warnings

1. Read and understand the entire owner's manual before attempting assembly or operation.
2. Read and understand the warnings posted on the machine and in this manual. Failure to comply with all of these warnings may cause serious injury.
3. Replace the warning labels if they become obscured or removed.
4. This dust collector is designed and intended for use by properly trained and experienced personnel only. If you are not familiar with the proper and safe operation of a dust collector, do not use until proper training and knowledge have been obtained.
5. Do not use this dust collector for other than its intended use. If used for other purposes, Walter Meier (Manufacturing) Inc., disclaims any real or implied warranty and holds itself harmless from any injury that may result from that use.
6. Always wear approved safety glasses/face shields while using this dust collector. Everyday eyeglasses only have impact resistant lenses; they are not safety glasses.
7. Keep hair, loose clothing, fingers, and all parts of body away from opening and moving parts.
8. Wear ear protectors (plugs or muffs) during extended periods of operation.
9. Some dust created by power sanding, sawing, grinding, drilling and other construction activities contains chemicals known to cause cancer, birth defects or other reproductive harm. Some examples of these chemicals are:
  - Lead from lead based paint.
  - Crystalline silica from bricks, cement and other masonry products.
  - Arsenic and chromium from chemically treated lumber.Your risk of exposure varies, depending on how often you do this type of work. To reduce your exposure to these chemicals, work in a well-ventilated area and work with approved safety equipment, such as face or dust masks that are specifically designed to filter out microscopic particles.
10. Do not operate this machine while tired or under the influence of drugs, alcohol or any medication.
11. Make certain the switch is in the **OFF** position before connecting the machine to the power supply. Turn off all controls before unplugging.
12. Make certain the machine is properly grounded. Connect to a properly grounded outlet only.
13. Make all machine adjustments or maintenance with the machine unplugged from the power source.
14. Remove adjusting keys and wrenches. Form a habit of checking to see that keys and adjusting wrenches are removed from the machine before turning it on.
15. Keep safety guards in place at all times when the machine is in use. If removed for maintenance purposes, use extreme caution and replace the guards immediately after maintenance is complete.
16. Check damaged parts. Before further use of the machine, a guard or other part that is damaged should be carefully checked to determine that it will operate properly and perform its intended function. Check for alignment of moving parts, binding of moving parts, breakage of parts, mounting and any other conditions that may affect its operation. A guard or other part that is damaged should be properly repaired or replaced.
17. Provide for adequate space surrounding work area and non-glare, overhead lighting.
18. Keep the floor around the machine clean and free of scrap material, oil and grease.
19. Keep visitors a safe distance from the work area. **Keep children away.**

# Warnings

20. Make your workshop child proof with padlocks, master switches or by removing starter keys.
21. Give your work undivided attention. Looking around, carrying on a conversation and “horse-play” are careless acts that can result in serious injury.
22. To reduce the risk of electric shock, do not use outdoors or on wet surfaces.
23. Do not use the dust collector for anything except wood dust. Materials such as liquids, metal shavings, metal dust, screws, glass, plastic or rock can cause sparks and/or damage when coming into contact with any part of the dust collector.
24. Do not pick up anything that is burning or smoking, such as cigarettes, matches or hot ashes.
25. Do not use to pick up flammable or combustible liquids such as gasoline or use in areas where they may be present.
26. Do not pull or carry by cord, use cord as a handle, close a door on cord, or pull cord around sharp edges or corners. Do not run dust collector over cord. Keep cord away from heated surfaces.
27. Do not use this dust collector with a damaged cord or plug.
28. Do not unplug by pulling on cord. To unplug, grasp the plug, not the cord.
29. Do not use without dust bag and/or filters in place.
30. Do not handle plug or machine with wet hands.
31. Do not put any objects into the openings. Do not use with any opening blocked; keep free of dust, lint, hair, and anything that may reduce air flow.
32. Do not operate without hose connected to the inlet. Hazardous moving parts inside. Unplug before removing inlet or inlet guard.
33. Use recommended accessories; improper accessories may be hazardous.
34. Maintain tools with care. Follow instructions for lubricating and changing accessories.
35. Turn off the machine and disconnect from power before cleaning. Use a brush or compressed air to remove chips or debris — do not use your hands.
36. Do not leave the machine when it is plugged in. Unplug from outlet when not in use and before servicing.
37. Do not stand on the machine. Serious injury could occur if the machine tips over.

## **Familiarize yourself with the following safety notices used in this manual:**

**CAUTION** This means that if precautions are not heeded, it may result in minor injury and/or possible machine damage.

**WARNING** This means that if precautions are not heeded, it may result in serious injury or possibly even death.

**- - SAVE THESE INSTRUCTIONS - -**

# Introduction

This manual is provided by Walter Meier (Manufacturing) Inc., covering the safe operation and maintenance procedures for a Powermatic Model PM1300TX Dust Collector. This manual contains instructions on installation, safety precautions, general operating procedures, maintenance instructions and parts breakdown. This machine has been designed and constructed to provide years of trouble free operation if used in accordance with instructions set forth in this manual. If there are any questions or comments, please contact either your local supplier or Walter Meier. Or visit our web site: [www.powermatic.com](http://www.powermatic.com).

# Specifications

Model.....	PM1300TX
Stock Numbers:	
PM1300TX Base Machine ( <i>includes motor, magnetic starter and remote control</i> ).....	1791078
PM1300TX Base Machine with Filter Bag System .....	1791078K
PM1300TX Base Machine with Canister Filter System.....	1791079K
Filter Bag System only .....	1791077B
Canister Filter System only .....	1791086
Impeller Diameter (in.).....	12
Sound Rating at 3 feet (dB) .....	75-90
Inlet Port Diameter (in.) .....	two at 4", or one at 6"
Air Flow (CFM) .....	1,300
Velocity at 6" (FPM).....	5,374
Static Pressure (inch of water).....	11.31
Filter and Collection Bag Diameter (in.) .....	20
Filter Bag Length (in.).....	34
Filter Bag Efficiency .....	96% of 30 micron particles
Canister Length (in.) .....	26
Canister Efficiency .....	86% of 1 micron particles; 98% of 2 micron particles
Collector Bag Capacity (cu. ft.) .....	10
Remote Control Type .....	infrared
Overall Dimensions with Filter Bag System (LxWxH)(in.) .....	37 x 29 x 79
Overall Dimensions with Canister System (LxWxH)(in.).....	37 x 29 x 72
Motor (TEFC) .....	1.75 HP, 1Ph 115/230V (pre-wired 115V), 18/9A, 60Hz
Net Weight:	
PM1300TX with Filter Bag System (approx.)(lbs.).....	140
PM1300TX with Canister System (approx.)(lbs.) .....	154
Shipping Weight:	
PM1300TX with Filter Bag System (approx.) (lbs.).....	150
PM1300TX with Canister System (approx.) (lbs.).....	165

The above specifications were current at the time this manual was published, but because of our policy of continuous improvement, Walter Meier reserves the right to change specifications at any time and without prior notice, without incurring obligations.

## Unpacking

Remove all contents from the shipping carton and check against the *Contents of Shipping Carton* below to verify that all items have been received.

Report any damage to your distributor.

Do not discard any shipping material until after the dust collector has been assembled and is running properly.

You will also require either the *Filter Bag System* or *Canister Filter System*. These items are packaged separately and are not listed here.

## Contents of Shipping Carton

Refer to Figure 3 to identify items H–W.

- H Base (1)
- J Casters (4)
- K Motor/Fan Assembly (1)
- L Inlet Guard (1)
- M Inlet Port w/ Cap (1)
- N Lower Gasket (1)
- O Connector Tube (1)
- P Control Box (1)
- R Upper Gasket (1)
- S Collector Housing (1)
- T Support Bar (1)
- U Handle (2)
- V Plate (2)
- W Socket Head Cap Screw, M8x12 (4)
- Remote Control w/ batteries (not shown) (1)
- Owner's Manual (not shown) (1)
- Warranty Card (not shown) (1)

### Main Hardware Bag contents (Figure 1):

- A – M8 x 20 Hex Cap Screws (24)\*
- B – M6 x 12 Pan Head Flange Screws (8)\*
- C – M8 Flat Washers (34)\*
- D – M10 Flat Washers (6)\*
- E – M8 Hex Nuts (16)\*
- F – 3/8" Hex Nuts (4) – on casters
- G – M10 Lock Washers (4) – on casters

### Cone Assembly and Hardware (Figure 2):

- AA – Support Bracket (1)
- BB – Cone (1)
- CC – M8 x 16 Hex Cap Screw (1)
- DD – M8 Flat Washer (1)
- EE – M8 Hex Nut (1)
- FF – M 6 x 12 Hex Cap Screws (4)
- GG – M6 Hex Nuts (4)

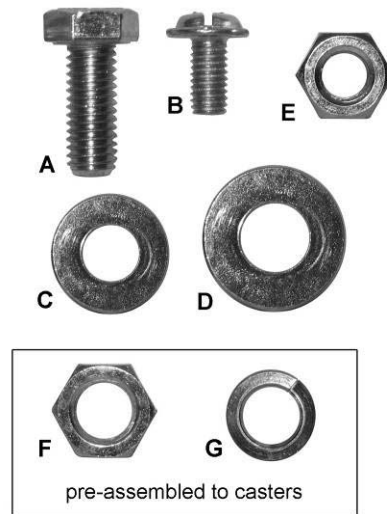


Figure 1: Main Hardware Bag contents

\* A through E comprise PM1300-BMHP Base Machine Hardware Package

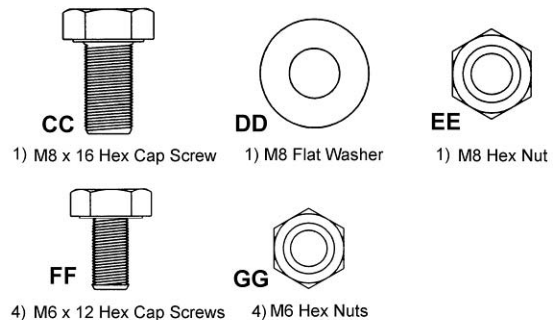
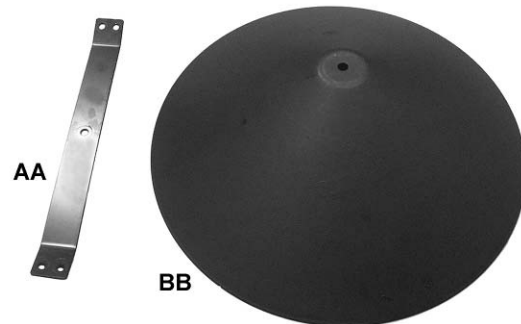


Figure 2: Cone Assembly and Hardware

CC through GG comprise DC1100-HP2 Cone Assembly Hardware Package

### Tools Required for Assembly

- 13mm Wrenches or Sockets
- 14mm Wrench
- #2 Cross Point Screw Driver
- 6mm hex (“Allen”) wrench

# Base Machine Assembly

**⚠WARNING** The dust collector must not be connected to the power source during assembly. Failure to comply may result in serious injury!

All instructions on this page refer to Figure 3.

## Base and Casters

1. The 3/8" *hex nut* (F) and M10 *lock washer* (G) are pre-assembled to each *caster* (J). For shipping purposes, the lock washer has been placed beneath the hex nut. Remove hex nut and lock washer from the *caster shaft*, re-install the hex nut, then install the lock washer *above* the hex nut, as shown.
2. Install the four *casters* (J) to the underside of the *base* (H) as follows:
3. Thread the *caster shaft* into the threaded hole on the underside of the *base* (H), turn until snug. Tighten the *hex nut* (F) against the base with a 14mm wrench.

## Motor and Fan Assembly

1. Place the base with casters down on the ground.
2. Attach the *motor and fan assembly* (K) to the *base* (H) using six M8x20 *hex cap screws* (A), and six M10 *flat washers* (D). Hand tighten only until all screws and washers are in place, then adjust the motor and fan assembly (K) until its flanges are approximately flush with the edges of the base (H). Tighten all screws with a 13mm wrench.
3. Attach the *inlet guard* (L) to *fan housing* (K) using eight M6x12 *pan head flange screws* (B).
4. Press the *inlet port* (M) as far as it will go onto the *inlet guard* (L).

**⚠WARNING** To reduce the risk of injury from moving parts, always keep both holes of inlet port (M) covered with either the provided cap or dust hoses. Failure to comply may result in serious injury!

## Connector Tube and Switch Box

1. Place the *lower gasket* (N) on the *fan housing* (K). Line up the rubber pegs on the gasket (face down) with the holes in the housing.
2. Place the *connector tube* (O) on the *fan housing* (K), making sure that the holes of the mating flanges are aligned.

**Note:** Refer to Figure 3 to make sure that the connector tube is facing the proper direction.

3. Insert an M8x20 *hex cap screw* (A), through the M8 *washer* (C) and flanges of the *connector tube* (O) and *fan housing* (K).
4. Place another *washer* (C) and a *hex nut* (E) on the protruding end of the *screw* (A) and hand-tighten only.
5. Mount the *control box* (P) to the two holes at the front of the connector tube flange.
6. Repeat steps 3 and 4 for the remaining screw locations, hand tightening only.
7. Tighten all hex nuts with a 13mm wrench.

## Collector Housing

Mount the *collector housing* (S) as follows:

1. Place an *upper gasket* (R) between the *collector housing* (S) and *connector tube* (O). Line up the pegs on the *gasket* (R) with the holes in the *housing* (S).
2. Place the *collector housing* (S) on the *connector tube* (O).
3. Insert a *screw* (A) through the *washer* (C), *connector tube flange* (O), and *collector-housing flange* (S).
4. Place another *washer* (C) and a *hex nut* (E) on the protruding end of the *screw* (A) and hand-tighten.
5. Repeat steps 1 through 4 for the seven remaining screw locations.
6. Tighten all hex nuts with a 13mm wrench.

## Support Bar

1. Align the bottom slots of the *support bar* (T) with the holes in the *base* (H). Insert two *screws* (A) and two *flat washers* (C) and hand tighten only.

**Note:** If you are using the Canister Filter System, proceed with steps 2 through 4 below. If you are using the Filter Bag System, leave the support bar (T) as is, for further assembly later, and proceed to "Handles".

2. Align the top holes of the *support bar* (T) with the holes at the rear of the *collector housing* (S) and insert two *screws* (A) and two *flat washers* (C).
3. Place a *washer* (C) and a *hex nut* (E) on the protruding end of each *screw* (A) inside the collector housing, and hand-tighten only.
4. Adjust the lower part of the *support bar* (T) as needed using its slots, until it is straight. Then tighten all four screws on the *support bar* (T).



## Handles

1. Remove the *plate* (V) from the *handle* (U) by loosening the two *socket head cap screws* (W) with a 6mm hex wrench.
2. Install *handle* (U) to the holes in the *collector housing* (S) by inserting the socket head cap screws through the handle, the collector housing, and into the plate on the opposite side. Tighten the screws.

**Note:** Make sure the *plate* (V) is oriented properly, as shown in the Detail in Figure 3: The protrusions on the plate should face away from the handle.

3. Install the second handle to the housing.

## Cone Installation

Install the cone assembly as shown in Figure 3a.

1. Mount the cone support bracket (AA) to the housing with four M6x12 hex cap screws (FF) and tighten from beneath with four M6 hex nuts (GG).
2. Install the cone (BB) from beneath using the M8x16 hex cap screw (CC), M8 flat washer (DD) and M8 hex nut (EE).

## Filter System

If your PM1300TX Dust Collection system includes filter bags, proceed to *Filter Bag System Assembly* on page 10.

If your PM1300TX Dust Collection system includes the canister kit, proceed to *Canister System Assembly* on page 11.

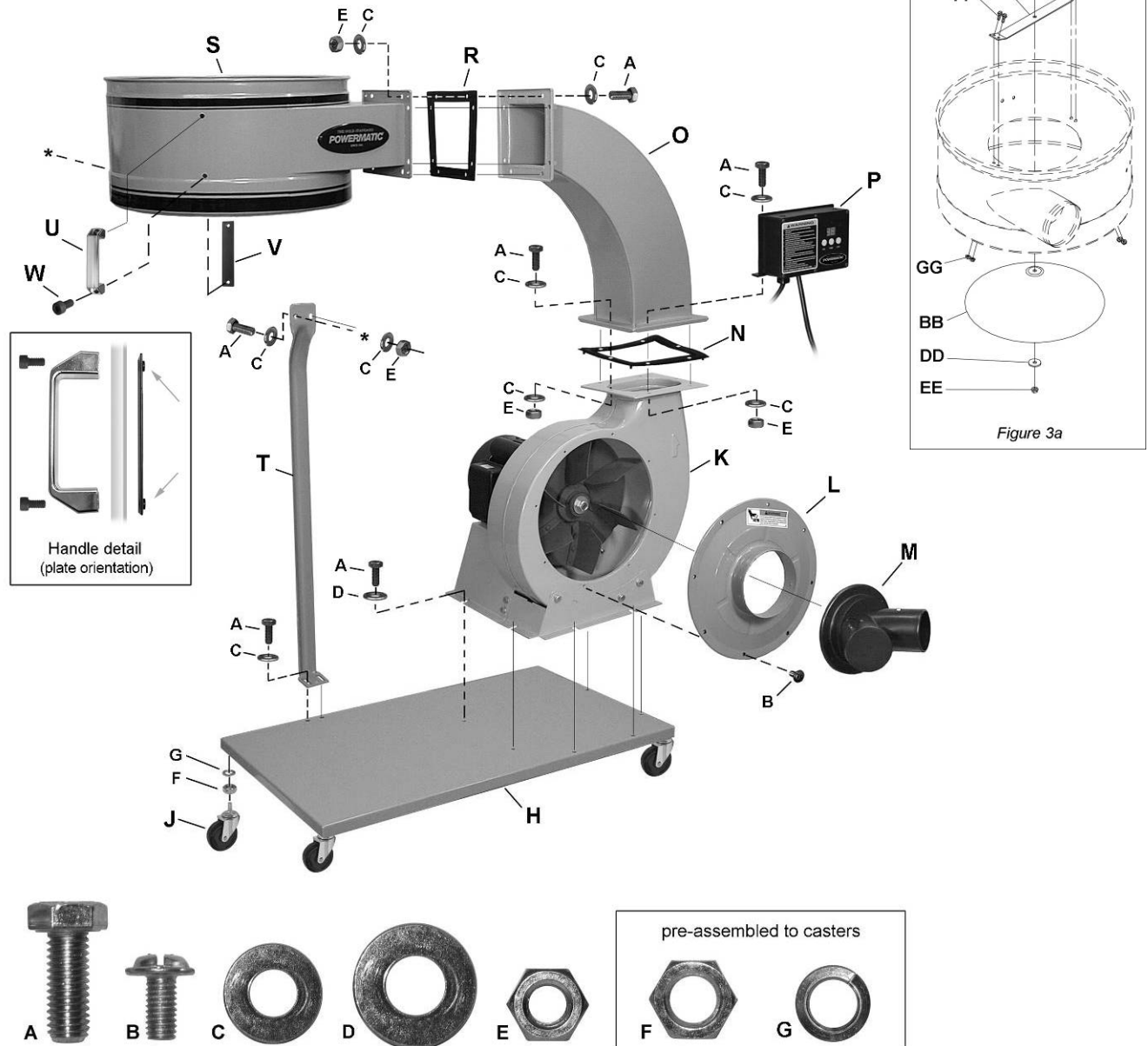


Figure 3: Assembly and hardware identification

## Filter Bag System Assembly

**Note:** If your dust collection system includes the canister kit, proceed to *Canister System Assembly* on page 11.

1. Insert a *hanger bracket* between *support bar* and *collector housing* (Figure 4).
2. Align holes and secure with two M8x20 hex cap screws and two M8 flat washers outside the housing, and two M8 flat washers and two M8 hex nuts inside the housing. Hand tighten only.



Figure 4

3. Make any needed adjustments to the *support bar*, then tighten the two upper and two lower screws on the *support bar* with a 13mm wrench.
4. Slide the *hanger* (Figure 4) onto the *hanger bracket* as far down as it will go. Rotate the hanger so that the hook at the top points toward the front of the machine.
5. Insert the *ring* (Figure 5) of the *collector bag* into the bottom of the housing at an angle. Pull down on the collector bag to make sure it “seats” on the inner lip of the housing.
6. Position the plastic window in front so that you can easily see when collector bag is full.
7. Slide the top loop of the *filter bag* onto the *hanger hook* (Figure 6).
8. Thread the *retainer strap* (Figure 6) through the loops on the filter bag, and fasten it to the collector housing, as shown in Figure 7. The retainer strap should be tight enough to provide a good seal.



Figure 5

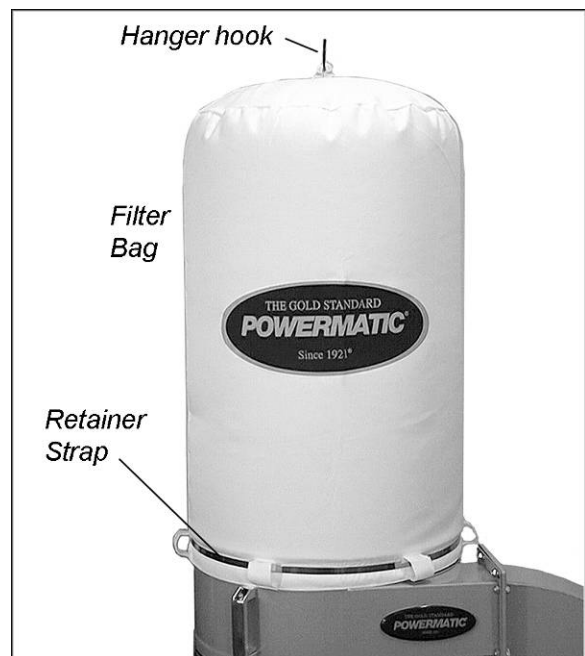


Figure 6

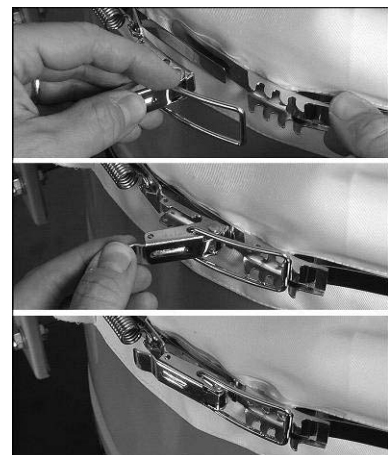


Figure 7  
Retainer strap connection

# Canister System Assembly

(17mm wrench required)

- Place the *snap ring* over the top of the *plastic collector bag*, and fold over the bag approximately three inches (Figure 8).

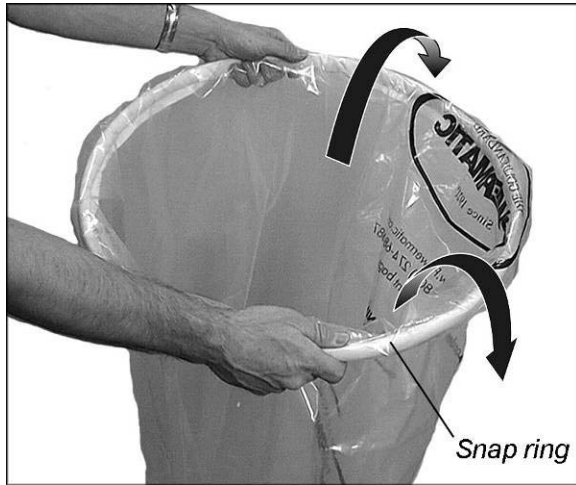


Figure 8

- Insert the *snap ring* of the collector bag into the bottom of the housing at an angle (Figure 9).
- Pull down on the *snap ring* to make sure it “seats” on the inner lip of the housing.

**Note:** Make sure the snap ring “snaps” into place in the housing, and also that the plastic bag hangs down approximately 3 inches so that there are no air leaks.

- Remove the *handle* (Figure 10) from inside the *canister filter*. Mount the *handle* onto the *canister filter* with two M10 *hex nuts* (A), two M10 *flat washers* (B), and an M10 *lock washer* (C). Arrange these fasteners according to Figure 10. Tighten with a 17mm wrench.
- Place the canister on top of the housing, and push down to ensure the canister is seated on the housing.
- Insert and tighten the four *knobs* into the threaded holes on the canister (Figure 10).

**Note:** The Powermatic® label on the front of the canister should have a negligible effect upon air flow. However, if zero effect is desired, the label can always be peeled off.



Figure 9

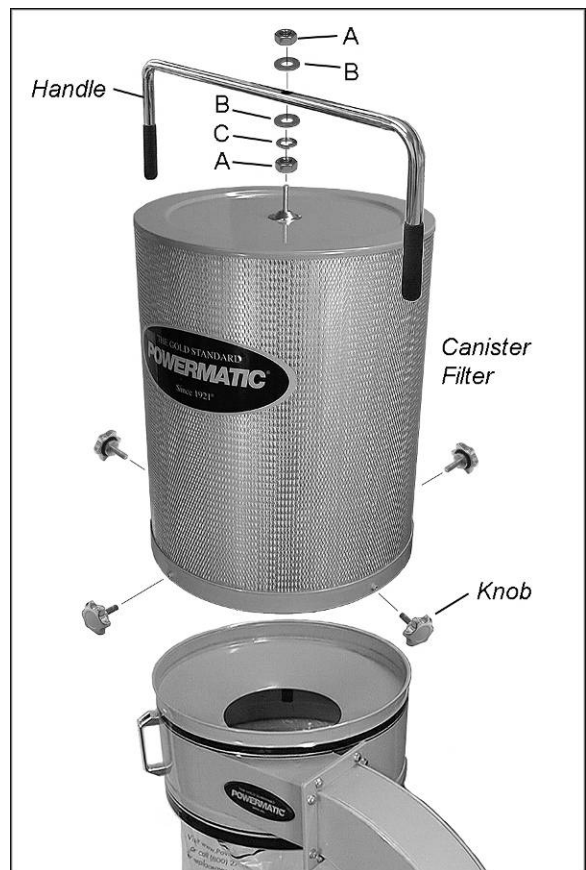


Figure 10

# Electrical Connections

**⚠WARNING** Electrical connections must be made by a qualified electrician in compliance with all relevant codes. This machine must be properly grounded to help prevent electrical shock and possible fatal injury.

The PM1300TX is equipped with a single phase, 115/230 volt motor. It is factory wired for 115 volts. Keep in mind that a circuit being used by other machines (tools, lights, heaters, etc.) at the same time will add to the electrical load. Thus, it is recommended that the machine be connected to a dedicated circuit, with a 30 amp circuit breaker or fuse for 115 volt operation; and a 20 amp circuit breaker or fuse for 230 volt operation. **Local codes will take precedence over recommendations.**

The dust collector can be re-wired for 230V operation as follows:

### To convert to 230 volt operation:

1. *Disconnect from power source; unplug!*
2. Connect the motor leads as shown in the diagram inside the motor junction box; this diagram is also shown on page 21 of this manual.
3. Open the control box cover by removing the six screws, and move the voltage switch to 230V.
4. Replace the plug on the power cord with an appropriate UL/CSA listed 230V plug.
5. When finished wiring, re-install junction box and control box covers.

### Grounding Instructions

This machine must be grounded. In the event of a malfunction or breakdown, grounding provides a path of least resistance for electric current to reduce the risk of electric shock.

Improper connection of the equipment-grounding conductor can result in a risk of electric shock. The conductor with insulation having an outer surface that is green with or without yellow stripes, is the equipment-grounding conductor. If repair or replacement of the electric cord or plug is necessary, do not connect the equipment-grounding conductor to a live terminal.

The hose or ductwork you use to connect the tool to the dust collector must also be grounded.

Make sure the voltage of your power supply matches the specifications on the motor plate of the dust collector.

Check with a qualified electrician or service personnel if the grounding instructions are not completely understood, or if in doubt as to whether the tool is properly grounded.

Repair or replace a damaged or worn cord immediately.

### Extension Cords

If an extension cord is needed, make sure the cord rating is suitable for the amperage listed on the machine's motor plate. An undersize cord will cause a drop in line voltage resulting in loss of power and overheating.

Use the chart in Figure 11 as a general guide in choosing the correct size cord. If in doubt, use the next heavier gauge. The smaller the gauge number, the heavier the cord.

#### Recommended Gauges (AWG) of Extension Cords

Amps	Extension Cord Length *					
	25 feet	50 feet	75 feet	100 feet	150 feet	200 feet
< 5	16	16	16	14	12	12
5 to 8	16	16	14	12	10	NR
8 to 12	14	14	12	10	NR	NR
12 to 15	12	12	10	10	NR	NR
15 to 20	10	10	10	NR	NR	NR
21 to 30	10	NR	NR	NR	NR	NR

\*based on limiting the line voltage drop to 5V at 150% of the rated amperes.  
NR: Not Recommended.

Figure 11

### Overload Re-set

If the Dust Collector overloads during operation, press the re-set switch on the motor, shown in Figure 12. Then re-start the machine.

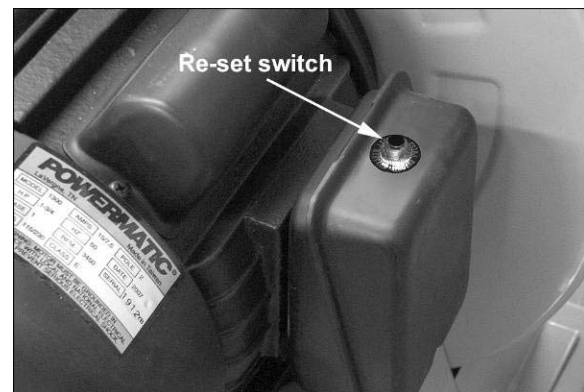


Figure 12

## Operating the Machine

Connect the dust collector to the power source. If power is flowing, a green indicator will light on the face of the control panel.

To operate the machine, use the buttons on the control panel, or use the provided remote control. To start the dust collector, press the ON button. If the remote control is used, aim it at the control panel. The machine will remain running until the OFF button is pressed. The digital readout will always display 00 while running.

The remote control operates on two AAA batteries. These will need replacing periodically.

NOTE: The infrared sensor on the dust collector has a 120° line-of-sight angle. See Figure 13. Outside of this angle, the remote control may not be effective.

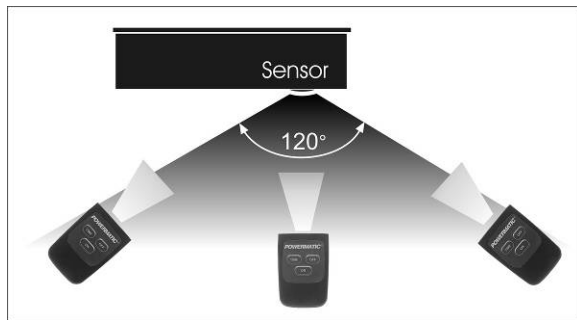


Figure 13

## Setting the Timer

While the machine is running, press the TIME button to activate the timer. Each time the button is pressed and released, the run time is incremented on the digital display by one minute and can be set up to 99 minutes.

If the TIME button is pressed and held, the time will scroll up to 99 minutes, then start again at 00. Release the button when the desired set time is reached. The dust collector will run for the amount of time displayed on the digital display. If you scroll past 99 and release the button at 10, for example, the machine will run for ten minutes, not 110 minutes.

If the OFF button is pressed while machine is running with the timer engaged, the machine turns off and the timer is disengaged; i.e., when the machine is restarted, the timer must be reset.

## Connecting the Dust Collector to a Machine

Use the proper type hose to connect the dust collector to the machine being operated. *Dryer vent hose is not acceptable for this purpose.* Contact your nearest Powermatic distributor for a full line of Dust Collector hoses and accessories. You can customize your installation and obtain maximum performance with dust hoods, hoses, clamps, fittings, and blast gates.

## Maintenance

**⚠WARNING** Never perform maintenance on this machine before turning it OFF and removing plug from power source. Failure to comply may cause serious injury!

## Cleaning the Filter Bag

**⚠CAUTION** Wearing a particle mask or respirator for protection against fine dust particles during cleaning is highly recommended.

During first use and after cleaning, the filter bag may allow some dust to escape. This is normal and will stop after a short period of time.

Clean both the filter and collector bags frequently to keep the collector's performance at its optimum. To clean:

1. Disconnect machine from the power source.
2. Unhook the filter bag from the hanger. Shake the bag so that the majority of the dust falls into the collector bag.
3. Loosen the retaining strap, and remove the filter bag from the housing.
4. Turn the bag inside-out and clean.
5. Turn the bag outside-in and re-attach to the housing using the retainer strap to secure.

## Removing the Collector Bag

1. Disconnect machine from the power source.
2. Remove the collector bag by pushing the ring of the collector bag upwards and pulling the bag out at an angle.
3. Empty the contents into an appropriate container.
4. Turn the bag inside-out and clean.
5. Turn the bag outside-in and insert into the housing.

## Cleaning the Canister Filter

Clean the canister filter frequently to keep the collector's performance at its optimum. To clean the filter, turn the handle a couple of rotations so the dust falls into the clear plastic bag. Properly discard the plastic collector bag when full.

## Motor

Make frequent inspections of the motor fan and blow out (with low pressure air hose) or vacuum any accumulation of foreign material in order to maintain normal motor ventilation.

## Grounding Instructions

### 1. For all grounded, cord-connected tools:

This tool must be grounded. In the event of a malfunction or breakdown, grounding provides a path of least resistance for electric current to reduce the risk of electric shock. This tool is equipped with an electric cord having an equipment-grounding conductor and a grounding plug. The plug must be inserted into a matching outlet that is properly installed and grounded in accordance with all local codes and ordinances.

**WARNING:** Improper connection of the equipment-grounding conductor can result in a risk of electric shock. The conductor with insulation having an outer surface that is green with or without yellow stripes is the equipment-grounding conductor. If repair or replacement of the electric cord or plug is necessary, do not connect the equipment-grounding conductor to a live terminal. Do not modify the plug provided - if it will not fit the outlet, have the proper outlet installed by a qualified electrician.

Check with a qualified electrician or service personnel if the grounding instructions are not completely understood, or if in doubt as to whether the tool is properly grounded.

### 2. For grounded, cord-connected tools rated less than 15 amperes and intended for use on a nominal 120V supply circuit:

This tool is intended for use on a nominal 120V circuit, and has a grounded plug that looks like the plug illustrated Sketch A in Figure 14. The tool has a grounding prong that looks like the plug illustrated in Sketch A in Figure 14. A temporary adapter that looks like the adapter illustrated in Sketch B, may be used to connect this plug to a 2 pole receptacle as shown in Sketch C if a properly grounded outlet is not available. The temporary adapter should be used only until a properly grounded outlet (sketch A) can be installed by a qualified electrician. The green-colored rigid ear, lug, and the like, extending from the adapter must be connected to a permanent ground such as a properly grounded outlet box cover. **Note:** In Canada, the use of a temporary adapter is not permitted by the Canadian Electrical Code.

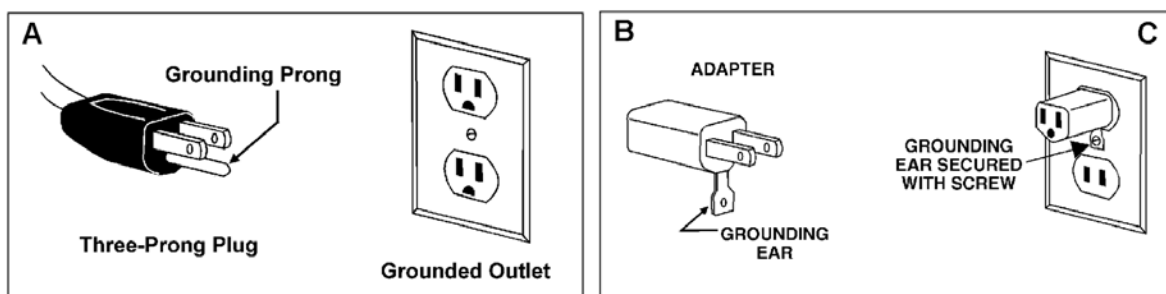


Figure 14

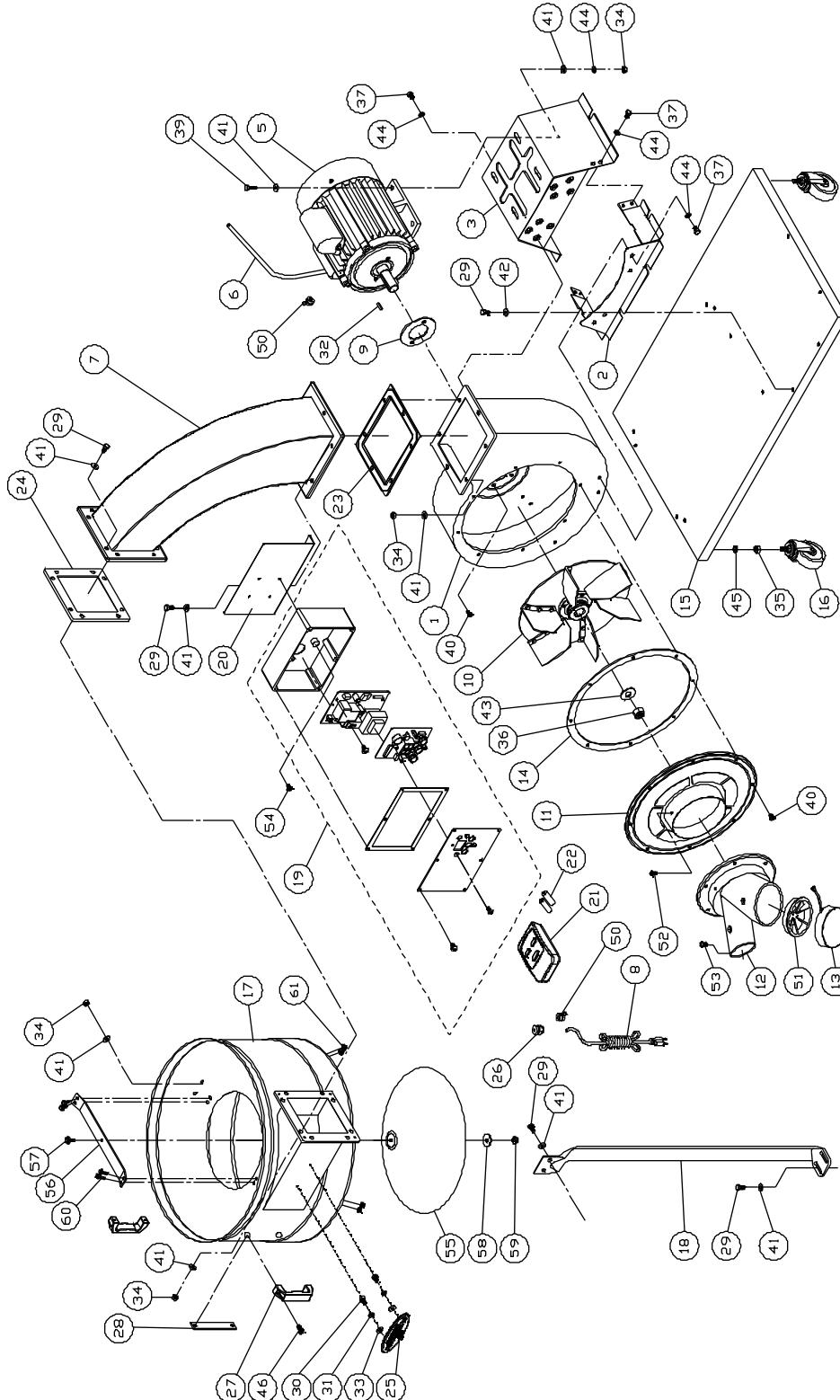
### 3. For all other grounded, cord-connected tools:

This tool is rated more than 15 amperes and is intended for use on a circuit having a nominal rating more than 120 volts, and is factory-equipped with a specific electric cord and plug to permit connection a proper electric circuit. Make sure that the tool is connected to an outlet having the same configuration as the plug. No adapter should be used with this tool. If the tool must be reconnected for use on a different type of electric circuit, the reconnection should be made by qualified service personnel.

# Replacement Parts

Replacement Parts are listed on the following pages. To order parts or reach our service department, call 1-800-274-6848, Monday through Friday (see our website for business hours, [www.powermatic.com](http://www.powermatic.com)). Having the Model Number and Serial Number of your machine available when you call will allow us to serve you quickly and accurately.

## Breakdown for PM1300TX Dust Collector (Base Machine)



## Parts List for PM1300TX Dust Collector (Base Machine)

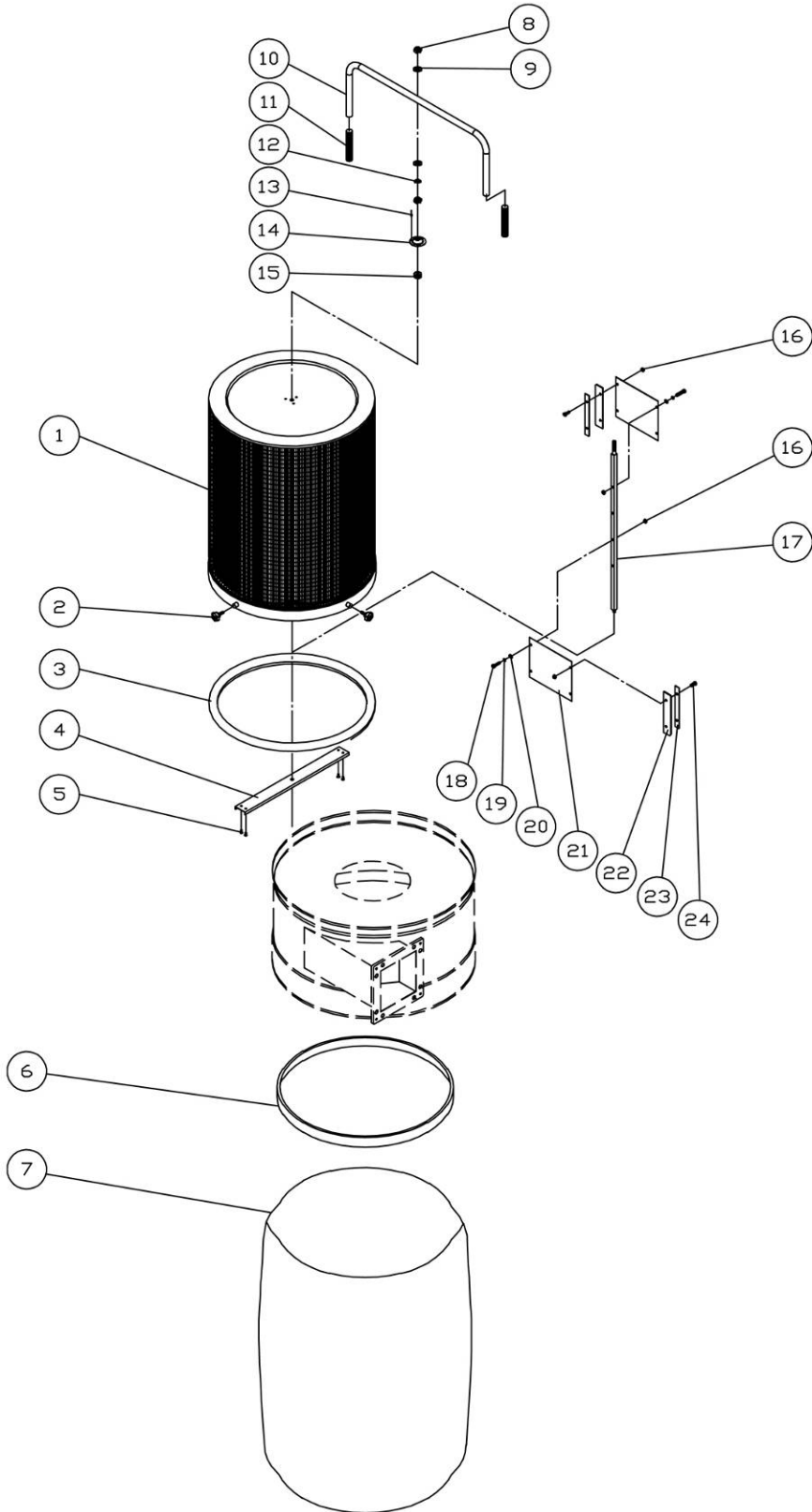
Index No.	Part No.	Description	Size	Qty
1	PM1300-101	Impeller Housing		1
2	PM1300-102	Housing Bracket		1
3	PM1300-103	Motor Bracket		1
5	PM1300-105	Motor	1-3/4HP, 115/230V, 1Ph	1
	PM1300-105MF	Motor Fan (not shown)		1
	PM1300-105MFC	Motor Fan Cover (not shown)		1
	PM1300-105SC2	Starting Capacitor (not shown)	300MFD, 125VAC	1
	PM1300-105RC2	Running Capacitor (not shown)	90µF, 250VAC	1
	PM1300-105CS	Centrifugal Switch (not shown)		1
	PM1300-105RS	Reset Switch (not shown)	18A	1
6	PM1300-106	Motor Cord		1
7	PM1300-107	Connector Tube		1
8	PM1300-108	Power Cord	14AWG x 3C	1
9	420051	Motor Gasket		1
10	430006	Impeller	12"	1
11	PM1300-111	Inlet Guard		1
12	PM1300-112	Inlet Port	2 @ 4"	1
13	420203	Inlet Cap		2
14	430034	Rubber Gasket		1
15	PM1300-115	Base		1
16	402036	Caster		4
17	PM1300-117	Housing		1
18	PM1900-122	Support Bar		1
19	PM1300-119	Remote Control Switch Assembly	115/230V	1
19-1	DCRC-108	Switch Box		1
19-2	DCRC-105	Digital Switch		1
19-3	DCRC-106	Circuit Board		1
19-4	DCRC-104	Seal		1
19-5	DCRC-103	Switch Plate		1
19-6	PM1900-108-6	Pan Head Screw	M5x8	4
19-7	DCRC-102	Screw		3
19-8	ST039304	Tapping Screw	M3.5x12	6
19-9	DCRC-111	Tapping Screw	M3.5x10	1
	PM1900-108-10	Display Label (not shown)		1
20	PM1900-107	Mount Plate		1
21	PM1900-129	Remote Control		1
	PM1900-129-1	Remote Control Label (not shown)		1
22		Battery ( <i>local purchase</i> )	AAA	2
23	430035	Rubber Gasket		1
24	430036	Rubber Gasket		1
25	PWBS14-254SN	POWERMATIC Nameplate, Small		1
26	31A-208-2	Strain Relief	PGA13.5	2
27	PM1900-127	Handle		2
28	PM1900-128	Fastening Plate		2
29	TS-1490031	Hex Cap Screw	M8x20	24
30	6714154	Hex Cap Screw	1/4-20 x 3/8	2
31	TS-2361061	Lock Washer	M6	2
32	KS050525	Key	5x5x25	1
33	TS-1550041	Flat Washer	M6	2
34	TS-1540061	Hex Nut	M8	20
35	TS-0561031	Hex Nut	3/8-16	4
36	TS-0561072	Hex Nut	5/8-18UNF	1
37	TS-1490011	Hex Cap Screw	M8x12	11
39	TS-1490041	Hex Cap Screw	M8x25	4
40	SF069300	Pan Head Flange Screw	M6x12	10
41	TS-1550061	Flat Washer	M8	42
42	TS-1550071	Flat Washer	M10	6



43	TS-155010	Flat Washer	M16	1
44	TS-2361018	Lock Washer	M8	15
45	TS-2361101	Lock Washer	M10	4
46	TS-1504021	Socket Head Cap Screw	M8x12	4
50	998621	Strain Relief		2
51	PM1300-151	Inlet Guard		2
52	990855	Pan Head Flange Screw	3/16"x1/2"	1
53	DCRC-111	Tapping Screw	M3.5x10	4
55	PM1300-155	Cone		1
56	DC1100-47-1	Support Bracket		1
57	TS-1490021	Hex Cap Screw	M8x16	1
58	TS-1550061	Flat Washer	M8	1
59	TS-1540061	Hex Nut	M8	1
60	TS-1482021	Hex Cap Screw	M6x12	4
61	TS-231061	Hex Nut	M6	4
	PM2700-440	Wide Stripe (not shown)		per ft.
	PM2700-441	Narrow Stripe (not shown)		per ft.
	PM1300-BMHP	Base Machine Hardware Package (not shown) *		1
	DC1100-HP2	Hardware Package for Cone Assembly (index # 57 thru 61)		1

\* Base Machine Hardware Package includes index # 29, 34, 40, 41 and 42.

# Breakdown for PM1300TX Canister Filter System



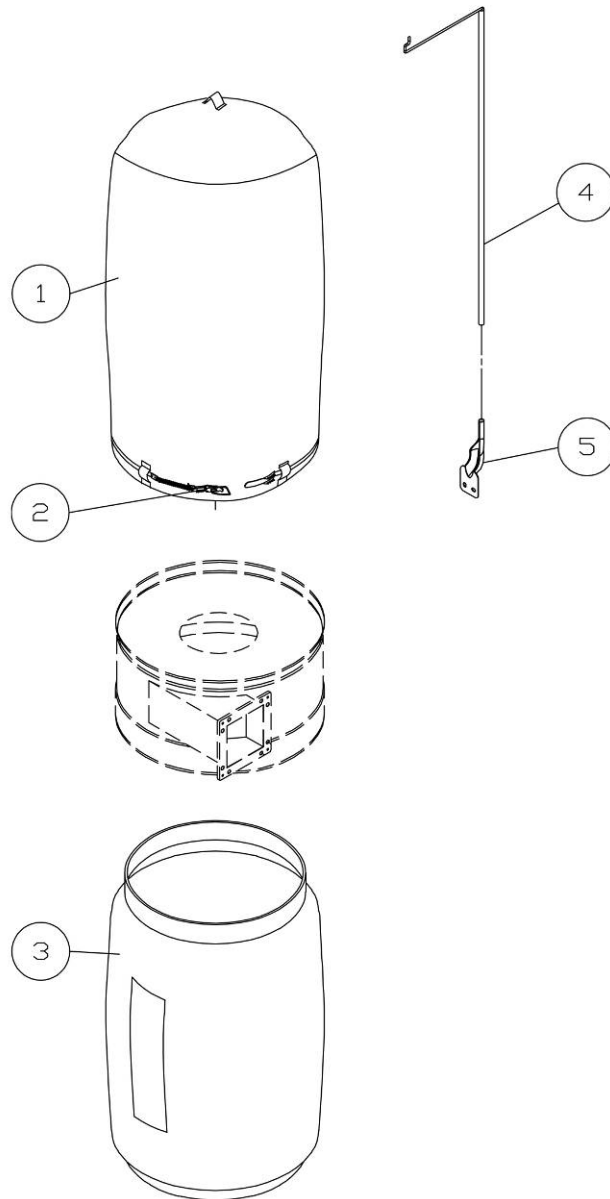
## Parts List for PM1300TX Canister Filter System

Index No.	Part No.	Description	Size	Qty
	1791086	Canister Assembly (includes #1 thru 24)		1
1	PM1900-301	Filter		1
2	PM1900-302	Knob	M6x20	4
3	331031	Pad		1
4	331009	Support		1
5	ST049200	Tapping Screw	M4x8	4
6	331038	Snap Ring		1
7	1791087	Plastic Collection Bag (Package of 5)	800x1050x0.1t mm	1
8	TS-1540071	Hex Nut	M10	2
9	TS-1550071	Flat Washer	M10	2
10	331050	Handle		1
11	331051	Soft Grip Handle		2
12	TS-2361101	Lock Washer	M10	1
13	BR000052	Rivet	5-2	3
14	331014	Bracket		1
15	150623	Rubber Mount		1
16	TS-1540041	Hex Nut	M6	8
17	331052	Shaft		1
18	TS-1482041	Hex Cap Screw	M6x20	4
19	TS-2361061	Lock Washer	M6	4
20	TS-1550041	Flat Washer	M6	4
21	331012	Scraper		2
22	331017	Plate		2
23	331015	Plate		2
24	TS-1482021	Hex Cap Screw	M6x12	4
	PM1300-PLO	Powermatic Label (not shown)	5-1/2x14 Oval	1
	PM1900-CHP	Canister Hardware Package (not shown) *		1

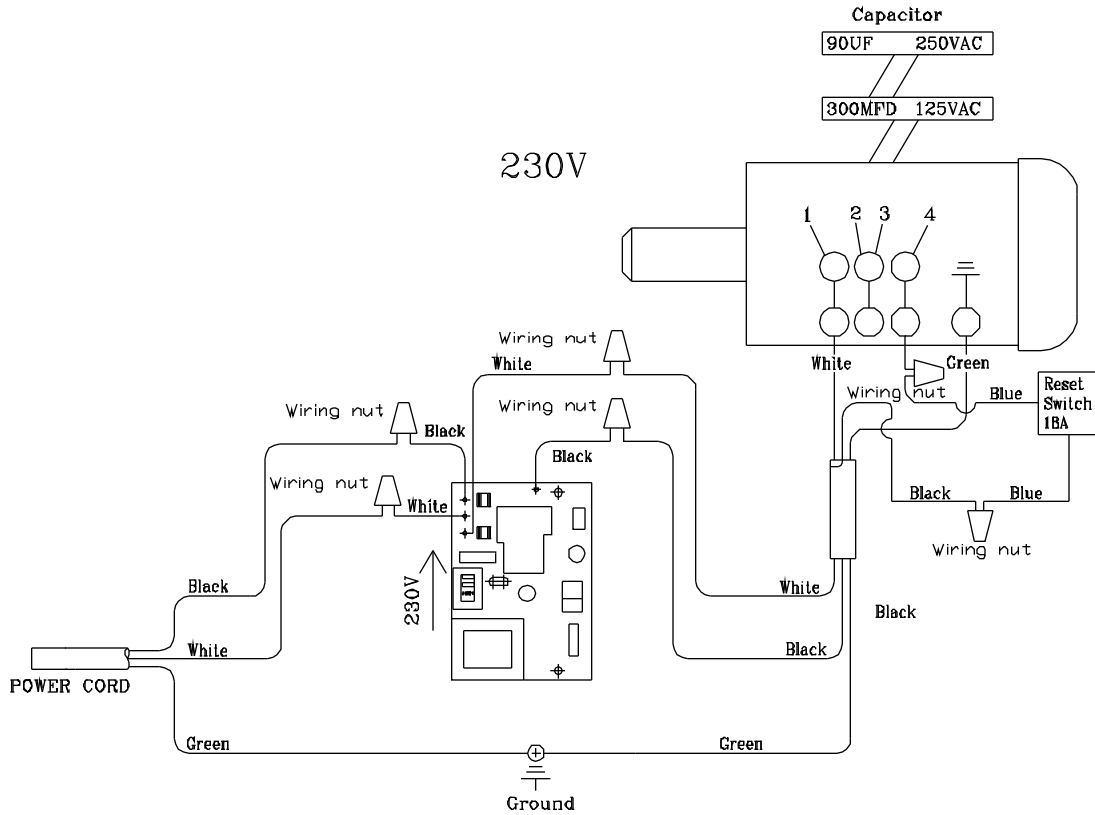
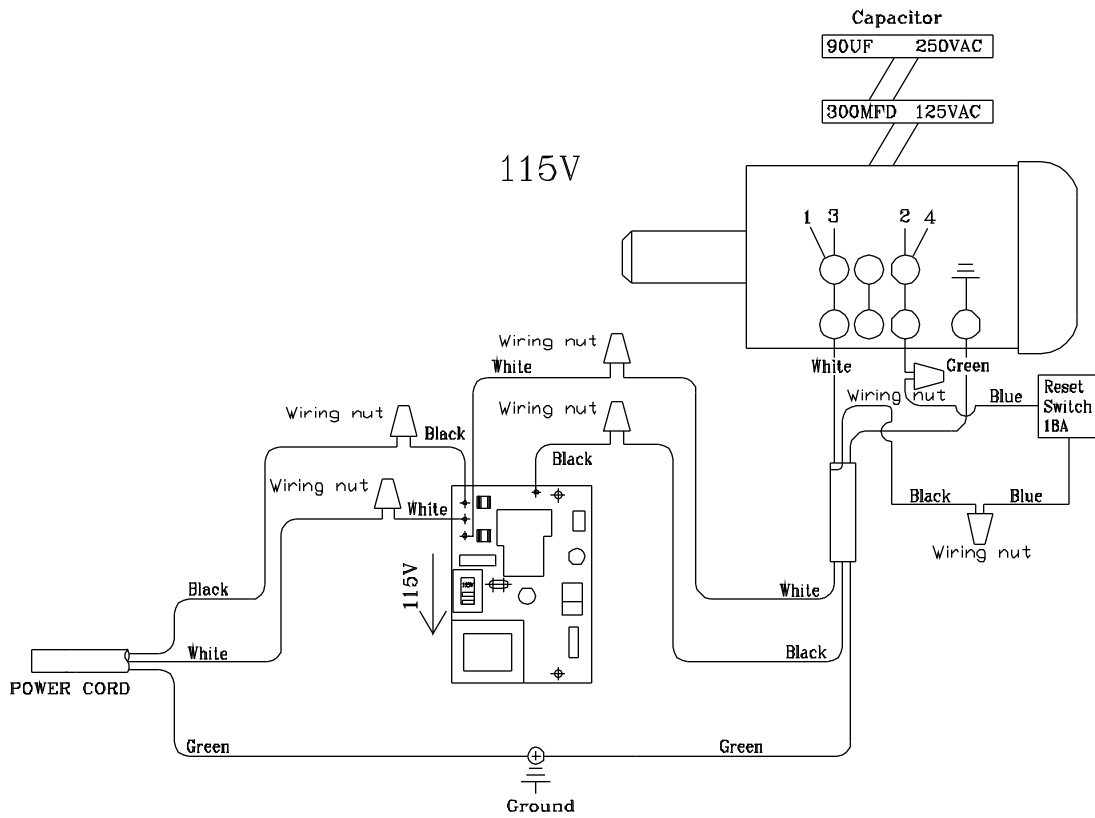
\*Canister Hardware Package includes index # 2, 8, 9 and 12.

# Parts List for PM1300TX Filter Bag System

Index No.	Part No.	Description	Size	Qty
.....	1791077B.....	PM1300 Collection and Filter Bag (includes #1 thru 5) .....		1
1.....	1791077F.....	Filter Bag .....	30 micron.....	1
2.....	410012.....	Retainer Strap.....		1
3.....	708699A.....	Collection Bag.....		1
4.....	402040.....	Hanger.....		1
5.....	523011.....	Hanger Bracket.....		1



# Electrical Connections



## NOTES

## NOTES



**WALTER MEIER (Manufacturing) Inc.**

427 New Sanford Road  
LaVergne, Tennessee 37086  
Phone: 800-274-6848  
[www.powermatic.com](http://www.powermatic.com)  
[www.waltermeier.com](http://www.waltermeier.com)