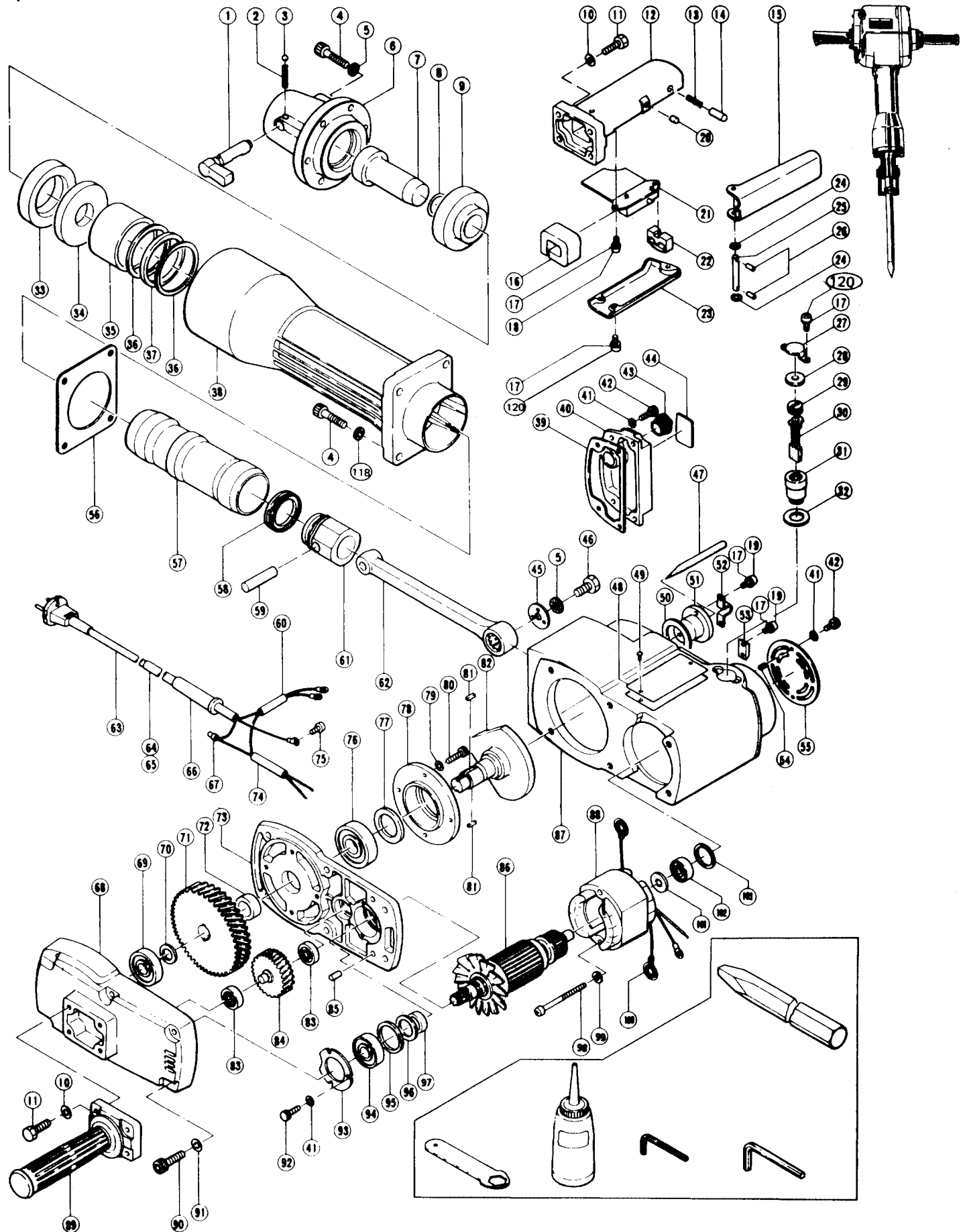




HITACHI

DEMOLITION HAMMER

Model PH-85



ITEM NO.	PART NO.	NO. USED	DESCRIPTION	SUPPLY Q'TY	ITEM NO.	PART NO.	NO. USED	DESCRIPTION	SUPPLY Q'TY
1	965506	1	Lever		56 A	956494	1	Packing (S) till 1 / 83	
2	944940	1	Spring		56 B	985227	1	O-Ring Since 2 / 83	
3	944941	1	Steel ball M7.94		57	956493	1	Striker	
4	985226	10	Special Bolt M10×40		58	956492	1	L-ring	
5	956487	7	Belleville Spring		59	956491	1	Piston Pin	
6	956505	1	Front Cover		60	956517	1	Vinyl Tube (C)	
7	956504	1	Second Hammer		61	956490	1	Piston	
8	956503	1	O-ring (A)		62	956484	1	Connecting Rod	
9	956502	1	Hammer Holder		63	500404Z	1	Cord	
10	949457	8	Spring Washer	10	64	956514	1	Tube (B)	
11	949628	8	Bolt M8×30	10	65	—	1	Vinyl Tube (D)	
12	956516	1	Handle		66	930217	1	Cord Armor	
13	956521	1	Spring (B)		67	938307Z	1	Pillar Terminal	
14	956522	1	Spring Holder		68	956540	1	Gear Cover	
15	956524	1	Switch Lever		69	6204VV	1	Ball Bearing 6204VVCMP2S	
16	944483	1	Support		70	956482	1	Distance Washer	
17	949453	13	Spring Washer M4	10	71	956481	1	Final Gear	
18	949215	2	Machine Screw M4×8	10	72	956480	1	Distance Ring (B)	
19	949218	4	Machine Screw M4×14	10	73	956539	1	Inner Cover	
20	956545	1	Switch Pin		74	956615	1	Vinyl Tube	
21	956518	1	Switch		75	949292	1	Machine Screw M4×6	10
22	956519	1	W.Holder		76	6305DD	1	Ball Bearing 6035DDUCMP2S	
23	956523	1	Handle Cover		77	956479	1	Felt Packing	
24	942204	2	Washer		78	956478	1	Bearing Boss	
25	956525	1	Pin		79	949455	4	Spring Washer M6	10
26	949861	2	Roll Pin D2×12	10	80	949660	4	Hexagon Socket Head Bolt M6×20	10
27	956528	2	Cap Cover		81	948919	2	Feather Key 4×4×15	
28	944960	2	Cap Rubber		82	956483	1	Crank Shaft	
29	940540	2	Brush Cap		83	6201VV	2	Ball Bearing 6201VVCMP2S	
30	999044	2	Carbon Brush	2	84	956477	1	Counter Gear	
31	944903	2	Brush Holder		85	949480	2	Pin D8×14	10
32	956683	2	Stop Plate		86	956536C	1	Armature	
33	956501	1	Damper		87	956538	1	Housing Assembly (includes Item 31,54)	
34	956500	1	Damper Plate		88	956467C	1	Stator Assembly (includes Item 100)	
35	956499	1	Mouth		89	956527	1	Side Handle	
36	956497	2	Mouth Washer		90	949850	6	Hexagon Socket Head Bolt M10×60 (old 956489)	10
37	956498	1	Urethane Ring		91	949458	6	Spring Washer M10	10
38	956541	1	Cylinder Case (old 956495)		92	949757	3	Hexagon Socket Head Bolt M5×20	10
39	956511	1	Packing (H)		93	956476	1	Bearing Cover (A)	
40	956512	1	Housing Cover		94	6300VV	1	Ball Bearing 6303VVCMP2S	
41	949454	9	Spring Lock Washer M5	10	95	956474	1	Urethane Washer (A)	
42	949821	6	Hexagon Socket Head Screw M5×16 (old 955263)	10	96	956473	1	Felt Packing	
43	955011	1	Oil Gauge		97	956544		Distance Ring (A)	
44	—	1	Caution Plate		98	937925	2	Machine Screw M5×80	
45	956486	1	Crank Washer		99	956764	2	Toothed Lock Washer till 8 / 84	
46	949637	1	Bolt M10×16	10	100	945932	2	Brush Terminal	
47	956509	1	Oil Felt		101	956470	1	Bearing Washer	
48	—	1	Name Plate		102	6301VV	1	Ball Bearing 6301VVCMP2S	
49	949510	2	Rivet D2.5×4.8	10	103	956469	1	Urethane Washer (A)	
50	956507	1	Packing (F)		104	963243	1	Support	
51	956508	1	Felt Holder		105	971031	1	Clip Rubber	
52	956510	1	Felt Holder (B)		106	949445	4	Washer M10	10
53	930108	1	Cord Clip		107	956764	2	Spial Washer since 9 / 84	
54	938477	2	Set Screw M4×8		120	956548	7	Bolt	
55	956526	1	Cover						