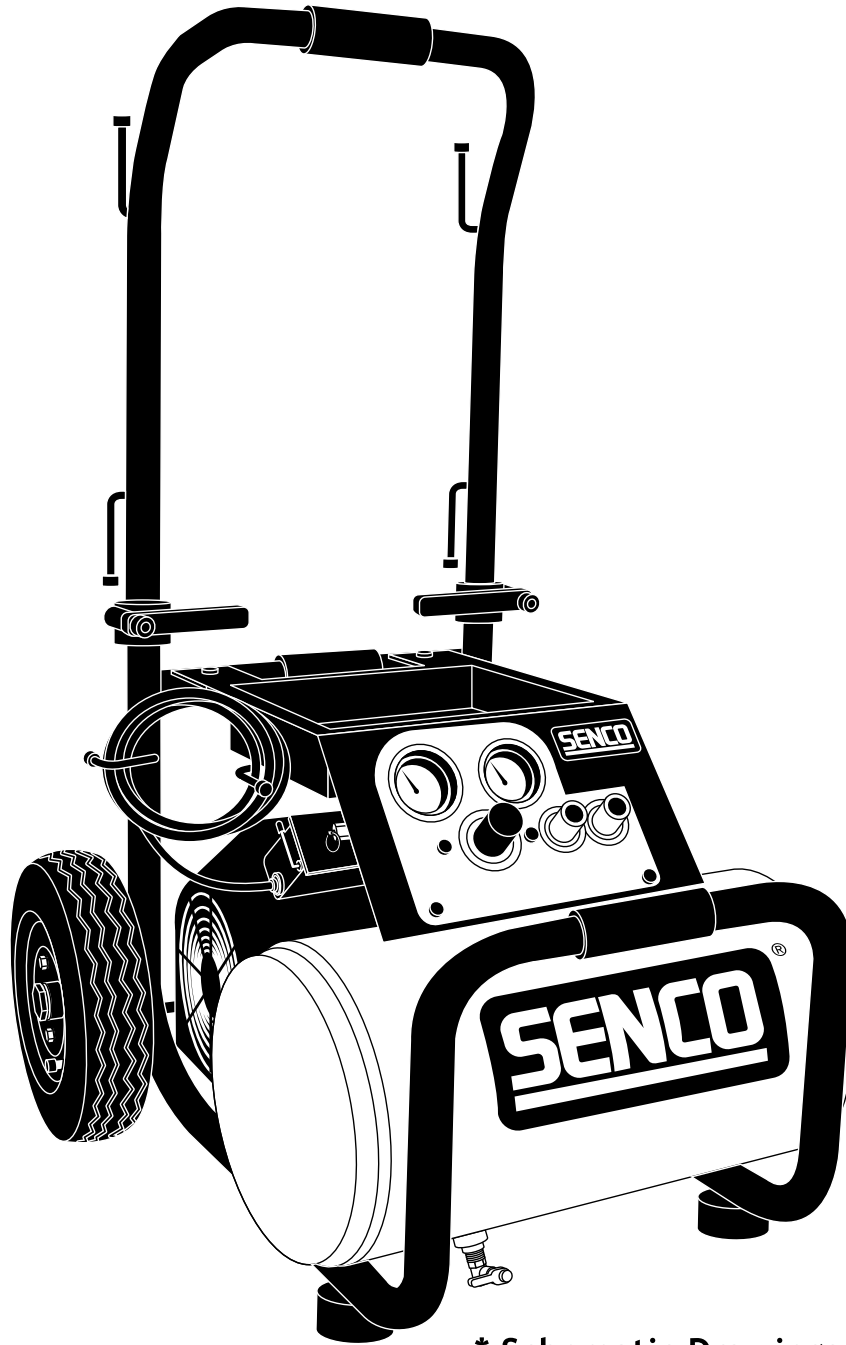


# PC1108



## *Parts Reference Guide*



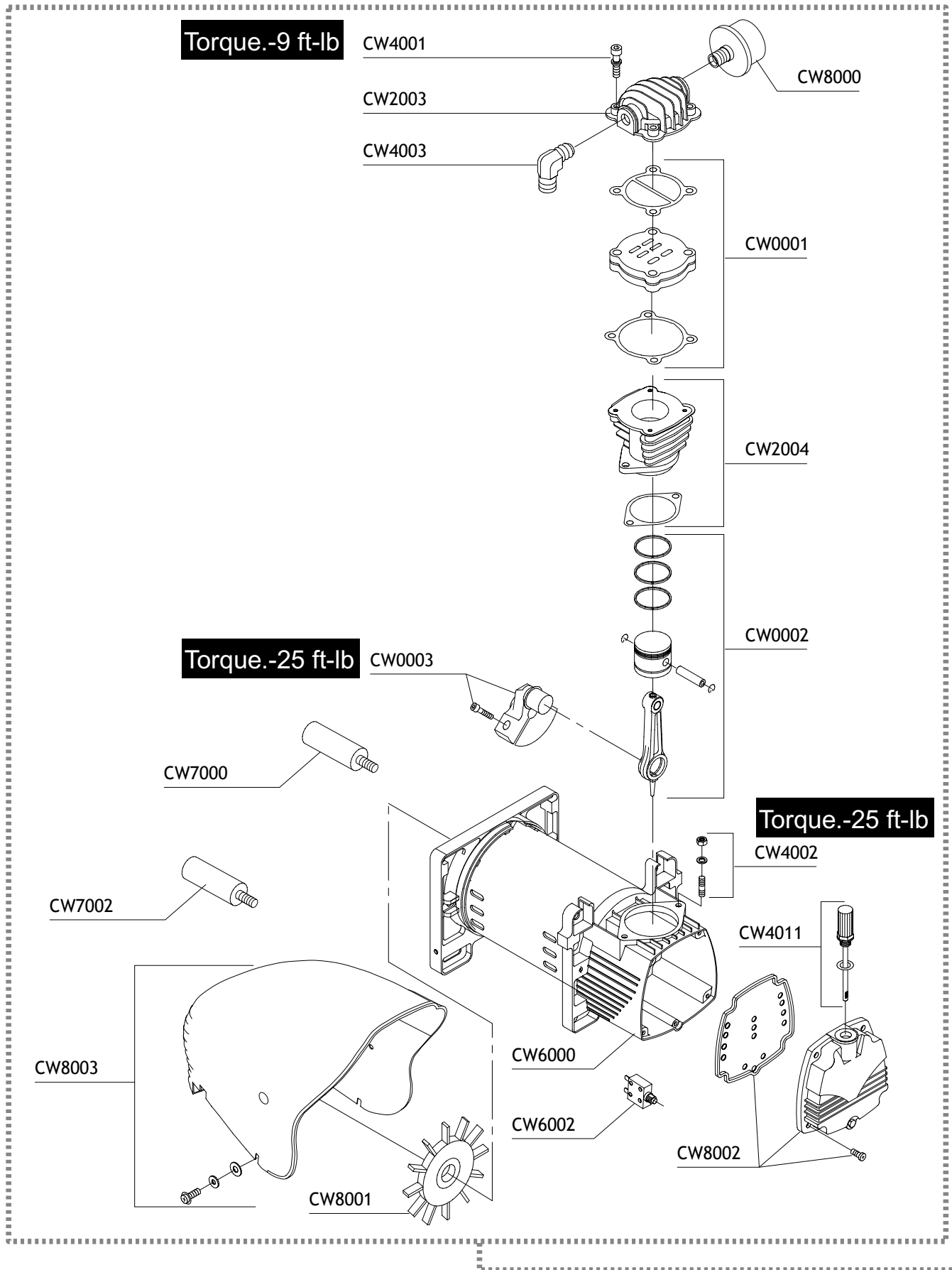
\* Schematic Drawings inside

Senco Products, Inc.  
8485 Broadwell Rd.  
Cincinnati, OH 45244

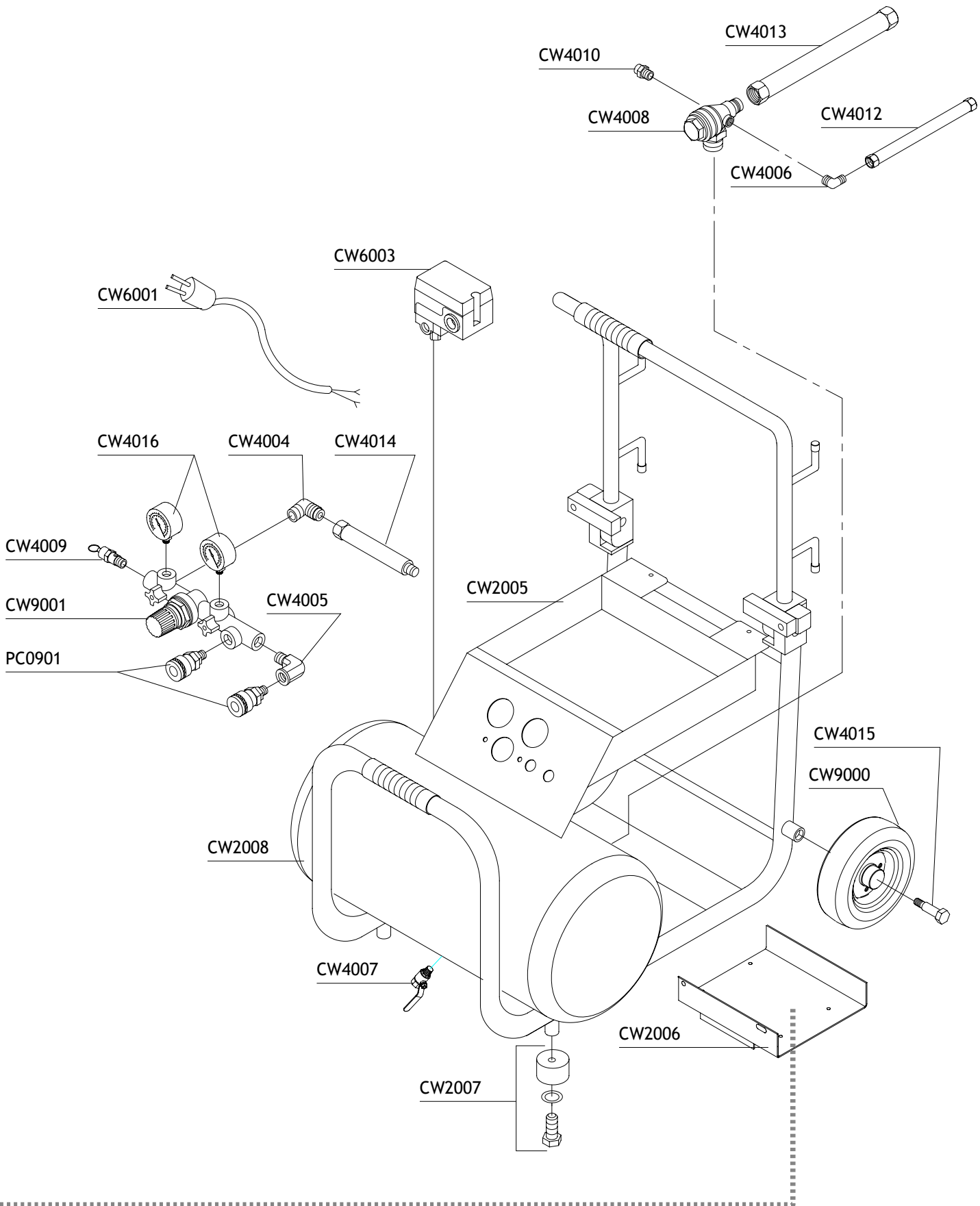
Questions? Comments? call Senco's toll-free Action-line:  
1-800-543-4596 or e-mail: [toolprof@senco.com](mailto:toolprof@senco.com)

Visit our Website: [www.senco.com](http://www.senco.com)

## PUMP



# TANK



<u>PART NO.</u>	<u>DESCRIPTION</u>	<u>DESCRIPCIÓN</u>	<u>BESCHREIBUNG</u>	<u>DÉSIGNATION</u>
CW0001	IN AND EX VALVE ASSY			
CW0002	PISTON AND ROD SET			
CW0003	CRANKSHAFT AND BALANCER			
CW2003	CYLINDER HEAD			
CW2004	CYLINDER SET			
CW2005	TRAY COVER			
CW2006	MOTOR MOUNT			
CW2007	ISOLATOR			
CW2008	AIR TANK AND FRAME SET			
CW4001	ALLEN BOLT SET			
CW4002	DOUBLE HEAD SCREW SET			
CW4003	EXHAUST ELBOW			
CW4004	MANIFOLD ELBOW			
CW4005	COUPLER ELBOW			
CW4006	UNLOADING ELBOW			
CW4007	BALL VALVE			
CW4008	CHECK VALVE			
CW4009	PRESSURE RELIEF VALVE			
CW4010	COLD START VALVE			
CW4011	DIPSTICK			
CW4012	UNLOADING TUBE SET			
CW4013	EXHAUST TUBE SET			
CW4014	MANIFOLD TUBE			
CW4015	WHEEL AXLE BOLT			
CW4016	PRESSURE GAUGE			
CW6000	MOTOR			
CW6001	POWER CORD			
CW6002	CIRCUIT BREAKER			
CW6003	PRESSURE SWITCH			
CW7000	RUNNING CAPACITOR			
CW7002	STARTING CAPACITOR			
CW8000	AIR FILTER ASSY			
CW8001	COOLING FAN			
CW8002	FRONT COVER SET			
CW8003	SHROUD SET			
CW9000	WHEEL			
CW9001	REGULATOR			
PC0901	QUICK COUPLER			