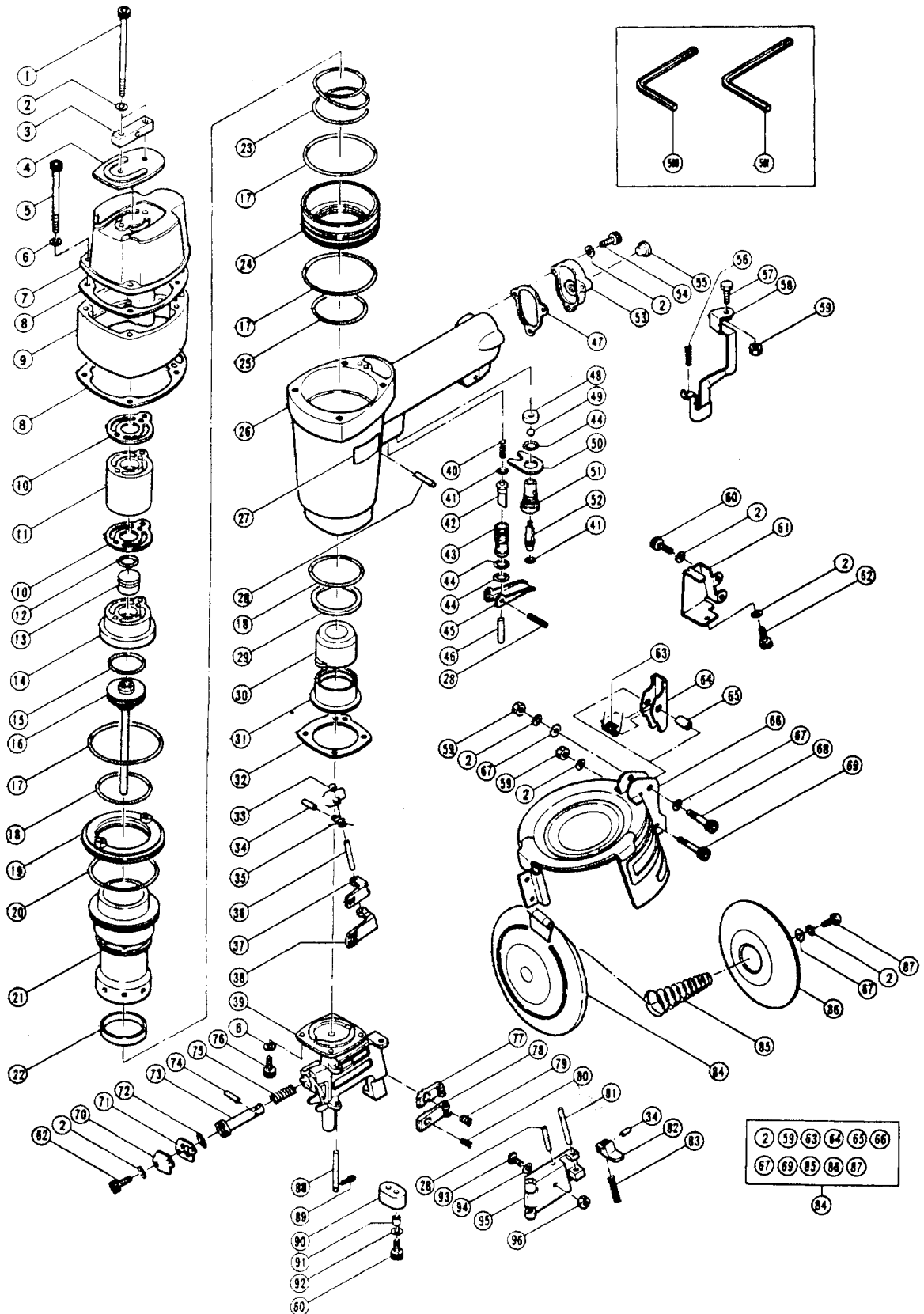




PNEUMATIC TOOL PARTS LIST

■ NAILER
Type NV 65A

1981·7·20
 NV65A(E1)



PARTS

NV65A(E1)

Item No.	Code No.	Parts Name	Q'ty	Remarks			
1	876607	Hexagon Socket Hd. Bolt M5 x 90	2				
2	949454Z	Spring Lock Washer	13	for M5 (10 pcs.)			
3	876618	Hanger	1				
4	876444	Top Cover	1				
5	876605	Hexagon Socket Hd. Bolt M6 x 70	4				
6	949455Z	Spring Lock Washer	8	for M6 (10 pcs.)			
7	876746P	Exhaust Cover (B) Ass'y	1				
8	876747P	Packing (F)	2				
9	877420Z	Upper Cover	1				
10	876749P	Packing (G)	2				
11	877421Z	Exhaust Piece	1				
12	872821	Valve O-ring	2				
13	875621	Valve Rubber Ass'y	1				
14	876748P	Head Cap (B) Ass'y	1				
15	931835	O-Ring (P36)	2				
16	876734	Piston Ass'y	1				
17	874104	Cylinder O-ring	3				
18	875602	Cylinder O-ring	2				
19	876435	Cylinder Plate	1				
20	876432	Cylinder O-ring (A)	1				
21	876732	Cylinder	1				
22	876434	Cylinder Ring	1				
23	875605	Cylinder Spring	1				
24	876731	Cylinder Guide	1				
25	876433	Cylinder O-ring (B)	1				
26	876745P	Body (B) Ass'y	1				
27	—	Name Plate	1				
28	874207	Roll Pin D3 x 30	3				
29	876733	Cylinder Damper	1				
30	877058Z	Piston Damper	1				
31	876600	Damper Ring	1				
32	876737	Packing (A)	1				
33	876690	Main Feeder Spring	1				
34	949776Z	Roll Pin D3 x 10	2	(10 pcs.)			
35	876691	Sub Feeder Spring	1				
36	876689	Feeder Shaft	1				
37	876688	Main Feeder	1				
38	876707	Sub Feeder	1				
39	876736	Tail Cover Ass'y	1				
40	875643	Plunger Spring	1				
41	874820	Plunger O-ring	2				
42	876739	Safety Plunger (A)	1				
43	876735	Safety Valve Bush	1				
44	875638	O-ring (S12)	3				
45	876203	Trigger	1				
46	875642	Safety Plunger (B)	1				
47	876447	Packing (D)	1				
48	875637	Valve Packing	1				
49	875645	Urethan Ball (B) D7.14	1				
50	875644	Valve Plate	1				
51	876738	Trigger Valve Bush	1				
52	875639	Trigger Plunger	1				
53	877050Z	Cap	1				

