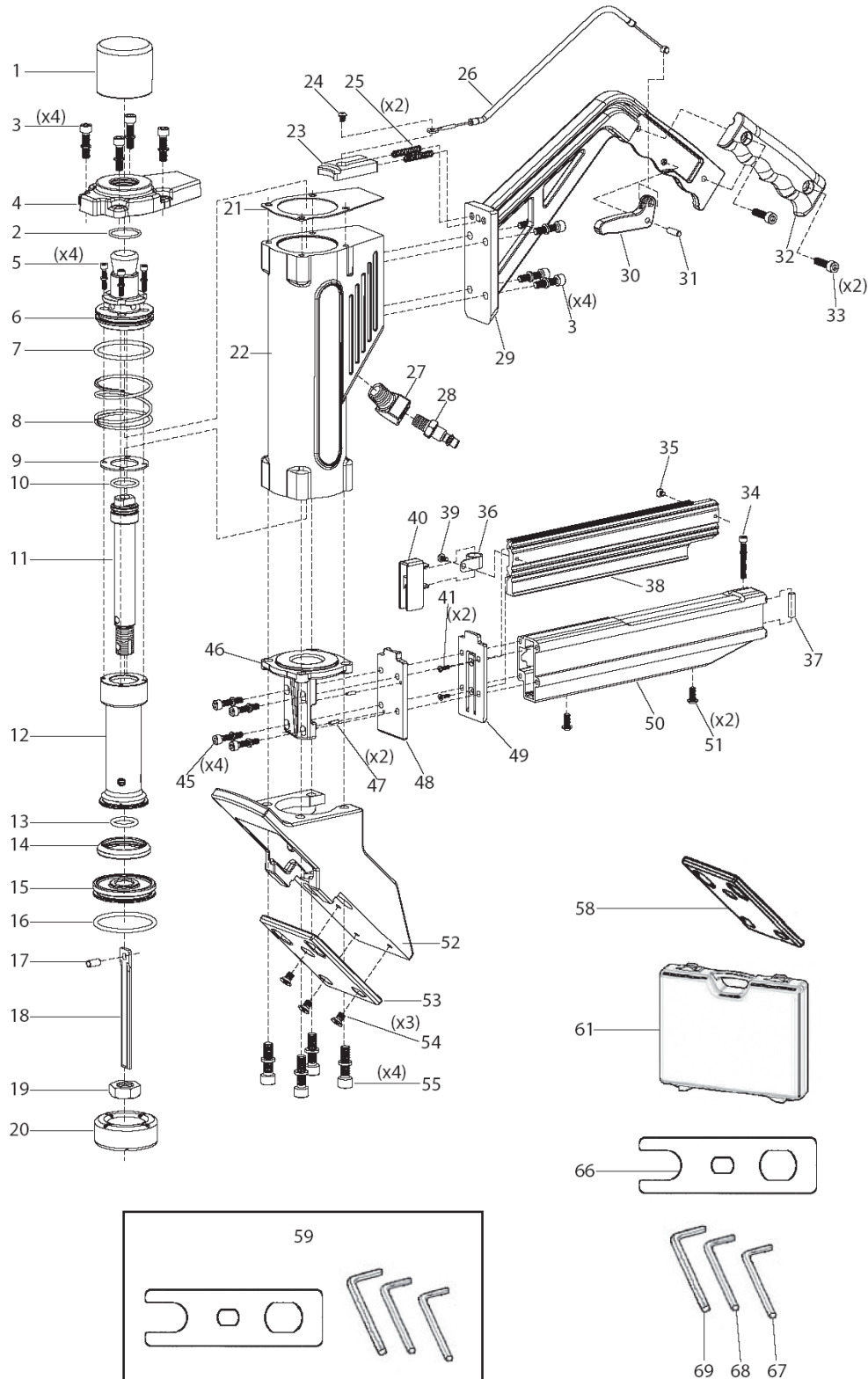


## PNEUMATIC TOOL PARTS LIST

■ 2" FLOORING STAPLER  
Model N5009AF

2009 • 09 • 30  
(E1)



## Parts List

N5009AF

Item #	Code #	DESCRIPTION	NO USED	Remarks
1	330329	Ram Cap	1	
2	330330	O-Ring - Cap	1	
3	330331	Screw – Socket, Head Cap	8	
4	330332	Cap	1	
5	330333	Screws - Plunger	4	
6	330334	Plunger	1	
7	330335	O-Ring - Plunger	1	
8	330336	Return Spring	1	
9	330337	Gasket	1	
10	330338	O-Ring – Piston Rod	1	
11	330339	Piston Rod	1	
12	330340	Poppet	1	
13	330341	O-Ring - Poppet	1	
14	330342	Seal - Poppet	1	
15	330343	Piston	1	
16	330344	O-Ring - Piston	1	
17	330345	Ball Pin	1	
18	330346	Driver Blade	1	
19	330347	Lock Nut	1	
20	330348	Piston Cushion	1	
21	330349	Plate	1	
22	330350	Body	1	
23	330351	Safety Plate	1	
24	330352	Screw	1	
25	330353	Spring	2	
26	330354	Cable	1	
27	330355	Elbow	1	
28	190051	Quick Connect	1	
29	330357	Handle	1	
30	330358	Safety Trigger	1	
31	330359	Pin	1	
32	330360	Cap	1	
33	330361	Screw	2	
34	330362	Screw	1	
35	330461	Screw	1	
36	330364	Constant Force Spring	1	
37	330365	Magazine Spacer	1	
38	330462	Staple Guide Unit	1	
39	330367	Screw	1	
40	330463	Pusher Finger	1	
41	330464	Screw	2	
42	**	Not Assigned	*	
43	**	Not Assigned	*	
44	**	Not Assigned	*	
45	330373	Screw	4	
46	330374	Foot	1	
47	330375	Spring Pin	2	
48	330465	Driver Guide Plate	1	
49	330466	Nose	1	
50	330467	Magazine	1	

\*Parts not shown in Exploded View



**Parts List****N5009AF**

Item #	Code #	DESCRIPTION	NO USED	Remarks