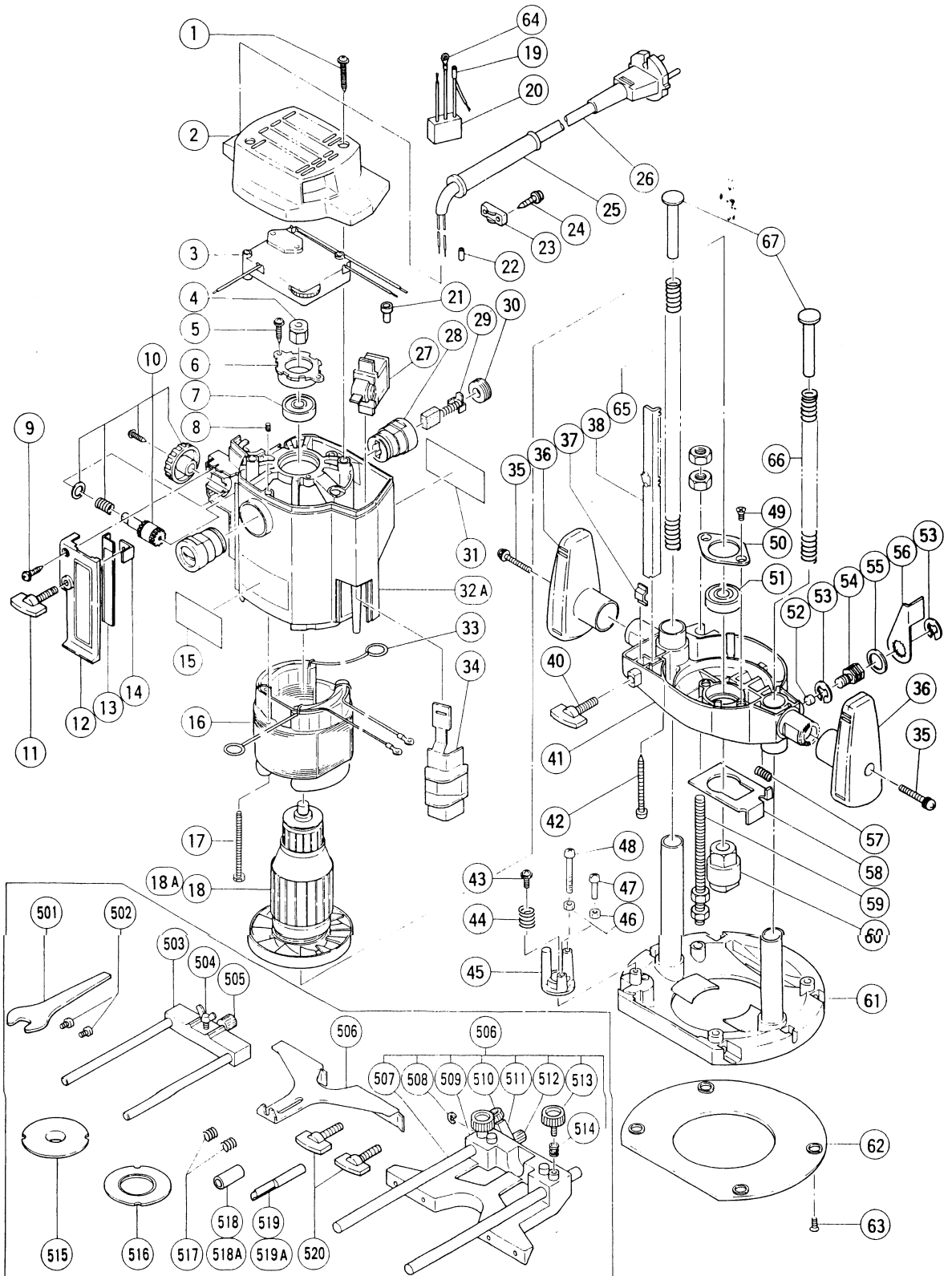


ELECTRIC TOOL PARTS LIST

■ ROUTER
Model M 12V

1990 · 11 · 21
(E3)



PARTS

M 12V

ITEM NO.	CODE NO.	DESCRIPTION	NO. USED	REMARKS
1	301-815	TAPPING SCREW (W/FLANGE) D4X45	2	
2	301-814	TOP COVER (B)	1	
* 3	301-819	CONTROLLER CIRCUIT 100V - 127V	1	
* 3	301-820	CONTROLLER CIRCUIT 220V - 240V	1	
4	301-797	MAGNET	1	
5	954-017	TAPPING SCREW D4X12	2	
6	301-796	BEARING BUSHING	1	
7	620-0VV	BALL BEARING 6200VVCMP2S	1	
8	938-477	HEX. SOCKET SET SCREW M5X8	2	
9	930-446	TAPPING SCREW (W/WASHER) D4X16	1	
10	301-798	KNOB PINION	1	
11	301-801	WING BOLT M6X27	1	
12	301-802	FRONT COVER	1	
* 13	301-824	SCALE (MM)	1	
* 13	301-825	SCALE (INCH)	1	
14	301-800	SCALE STOPPER	1	
* 15	301-826	HITACHI LABEL	1	
* 15	302-388	HITACHI LABEL	1	FOR USA,CAN,KOR
* 16	340-176C	STATOR ASS'Y 110V - 115V	1	INCLUD.33
* 16	340-176D	STATOR ASS'Y 127V	1	INCLUD.33
* 16	340-176E	STATOR ASS'Y 220V - 230V	1	INCLUD.33
* 16	340-176F	STATOR ASS'Y 230V - 240V	1	INCLUD.33 FOR AUS,KUW,FIJ,NGU
* 16	340-176G	STATOR ASS'Y 220V - 230V	1	INCLUD.33 FOR SAF,SWE,AUT,NOR
* 16	340-176H	STATOR ASS'Y 240V	1	INCLUD.33 FOR GBR
* 16	340-176J	STATOR ASS'Y 110V	1	INCLUD.33 FOR GBR
* 16	340-175	STATOR ASS'Y 100V	1	INCLUD.33 FOR KOR
17	961-400	HEX. HD. TAPPING SCREW D5X70	2	
* 18A	360-147U	ARMATURE ASS'Y 100V - 127V	1	INCLUD.7,51
* 18	360-147E	ARMATURE 220V - 240V	1	
* 18	360-147G	ARMATURE 220V - 240V	1	FOR GBR,SAF,SWE,AUT,NOR
* 18	360-147J	ARMATURE 110V	1	FOR GBR
* 19	981-373	TUBE (D)	2	
* 19	961-820	TUBE (D)	1	FOR NZL,GBR,SAF,ITA,FRG,FRA,HOL,DEN, SWE,AUT,NOR,SUI,KOR
* 19	961-820	TUBE (D)	2	FOR USA,CAN
* 20	994-273	NOISE SUPPRESSOR	1	
* 21	959-141	CONNECTOR 50092 (10 PCS.)	1	
* 21	959-141	CONNECTOR 50092 (10 PCS.)	2	FOR NZL,GBR,SAF,ITA,FRG,FRA,HOL,DEN, SWE,AUT,NOR,SUI,KOR
* 22	981-373	TUBE (D)	2	
23	937-631	CORD CLIP	1	
24	984-750	TAPPING SCREW (W/FLANGE) D4X16	2	
* 25	953-327	CORD ARMOR D8.8	1	
* 25	938-051	CORD ARMOR D10.1	1	
* 26	500-201Z	CORD	1	(CORD ARMOR D10.1)
* 26	500-247Z	CORD	1	(CORD ARMOR D10.1)FOR SWE,NOR
* 26	500-248Z	CORD	1	(CORD ARMOR D10.1)FOR SUI
* 26	500-234Z	CORD	1	(CORD ARMOR D8.8)FOR ITA,FRG,HOL,DEN, INA,SUR,FRA,GRE
* 26	500-242Z	CORD	1	(CORD ARMOR D10.1)FOR USA,CAN
* 26	500-236Z	CORD	1	(CORD ARMOR D8.8)FOR NGU,NZL,FIJ

*: ALTERNATIVE PARTS

11 - 90

PARTS

M 12V

ITEM NO.	CODE NO.	DESCRIPTION	NO. USED	REMARKS
* 26	500-237Z	CORD	1	(CORD ARMOR D8.8)FOR SAF,GBR
* 26	500-396Z	CORD	1	(CORD ARMOR D10.1)FOR GBR
* 26	500-411Z	CORD	1	(CORD ARMOR D10.1)FOR AUS
* 26	500-423Z	CORD	1	(CORD ARMOR D8.8)FOR SAU
* 26	500-223Z	CORD	1	(CORD ARMOR D10.1)FOR SIN,KUW
* 26	500-245Z	CORD	1	(CORD ARMOR D10.1)FOR SYR,ESP
* 26	500-214Z	CORD	1	(CORD ARMOR D10.1)FOR KOR
27	301-821	SWITCH (2P PILLAR TYPE) W/O LOCK	1	
* 28	980-487	BRUSH HOLDER	2	
* 28	937-948Z	BRUSH HOLDER	2	FOR AUT
29	999-044	CARBON BRUSH (1 PAIR)	2	
* 30	940-540	BRUSH CAP	2	
* 30	937-949	BRUSH CAP	2	FOR AUT
31		NAME PLATE	1	
* 32A	301-822	HOUSING ASS'Y	1	INCLUD.8,28,67
* 32A	301-823	HOUSING ASS'Y	1	INCLUD.8,28,67 FOR AUT
33	957-004	BRUSH TERMINAL	2	
34	301-803	LEVER	1	
35	986-274	MACHINE SCREW (W/WASHERS) M5X25	2	
36	301-813	HANDLE	2	
37	301-805	STOPPER PIECE	1	
38	301-799	STOPPER POLE	1	
40	301-806	WING BOLT M6X15	1	
41	301-804	END BRACKET	1	
42	956-669	TAPPING SCREW D5X55	4	
43	997-465	SELF TAPPING SCREW (W/WASHER) D4X12	1	
44	971-858	SPRING (A)	1	
45	301-812	STOPPER BLOCK	1	
46	302-012	NUT M5 (BLACK)	2	
47	302-196	MACHINE SCREW M5X20 (BLACK)	1	
48	302-197	MACHINE SCREW M5X35 (BLACK)	1	
49	990-430	SEAL LOCK FLAT HD. SCREW M4X10	2	
50	301-808	BEARING COVER	1	
51	620-1VV	BALL BEARING 6201VVCMP2S	1	
52	971-848	LOCK PIECE	1	
53	670-514	RETAINING RING (E - TYPE) FOR D10 SHAFT	2	
54	971-847	LOCK SCREW	1	
55	971-846	WAVE WASHER	1	
56	956-786	LOCK LEVER	1	
57	961-803	SPRING	1	
58	301-807	LOCK PLATE	1	
59	301-811	SCREW M8	1	
* 60	301-794	COLLET CHUCK 12MM	1	
* 60	301-795	COLLET CHUCK 1/2"	1	
* 60	301-793	COLLET CHUCK 10MM	1	FOR FRA,SUI
61	301-809	BASE	1	
62	301-810	SUB BASE	1	
63	992-013	SEAL LOCK FLAT HD. SCREW M5X14	4	
64	961-419Z	TERMINAL	1	
65	303-316	SPRING	1	
66	303-317	SPRING	1	

PARTS

M 12V

ITEM NO.	CODE NO.	DESCRIPTION	NO. USED	REMARKS
67	956-778	SPRING GUIDE	2	

STANDARD ACCESSORIES

ITEM NO.	CODE NO.	DESCRIPTION	NO. USED	REMARKS
501	956-923	WRENCH 21MM	1	
502	949-234	MACHINE SCREW M5X6 (10 PCS.)	2	
* 503	956-792	BAR HOLDER	1	EXCEPT FOR FRA,SUI,GBR,CAN,HOL
* 504	949-394	WING BOLT M6X10 (10 PCS.)	1	EXCEPT FOR FRA,SUI,GBR,CAN,HOL
* 505	956-793	FEED SCREW	1	EXCEPT FOR FRA,SUI,GBR,CAN,HOL
* 506	956-797	STRAIGHT GUIDE	1	EXCEPT FOR FRA,SUI,GBR,CAN,HOL
* 506	956-914	STRAIGHT GUIDE (A) ASS'Y	1	INCLUD.507 - 514 FOR FRA,SUI,GBR,HOL
* 507	956-916	GUIDE BAR	2	FOR FRA,SUI,GBR,HOL
* 508	673-489	RETAINING RING (E - TYPE) FOR D5 SHAFT	1	FOR FRA,SUI,GBR,HOL
* 509	956-915	STRAIGHT GUIDE (A)	1	FOR FRA,SUI,GBR,HOL
* 510	961-516	KNOB BOLT M6X7	1	FOR FRA,SUI,GBR,HOL
* 511	956-917	SCREW HOLDER	1	FOR FRA,SUI,GBR,HOL
* 512	956-918	FEED SCREW (A)	1	FOR FRA,SUI,GBR,HOL
* 513	960-058	KNOB BOLT M6X17	2	FOR FRA,SUI,GBR,HOL
* 514	947-859	LOCK SPRING	2	FOR FRA,SUI,GBR,HOL
	515	956-790	1	TEMPLATE GUIDE D18
* 516	956-756	TEMPLATE GUIDE ADAPTER	1	FOR USA,CAN
	517	947-859	2	LOCK SPRING
* 518	956-798	CHUCK SLEEVE 12X6	1	
* 518	956-799	CHUCK SLEEVE 12X8	1	
* 518	956-930Z	CHUCK SLEEVE 12X3/8"	1	
* 518	956-927Z	CHUCK SLEEVE 1/2"X1/4"	1	
* 518	956-928Z	CHUCK SLEEVE 1/2"X3/8"	1	
* 518	956-913	CHUCK SLEEVE 10X1/4"	1	FOR SUI
* 518A	303-487	CHUCK SLEEVE 10X8	1	FOR FRA
* 519	956-817Z	STRAIGHT BIT (TCT) D1/2"X1/2"	1	
* 519A	956-808	STRAIGHT BIT (TCT) D8X8	1	
	520	301-806	2	WING BOLT M6X15

*: ALTERNATIVE PARTS

