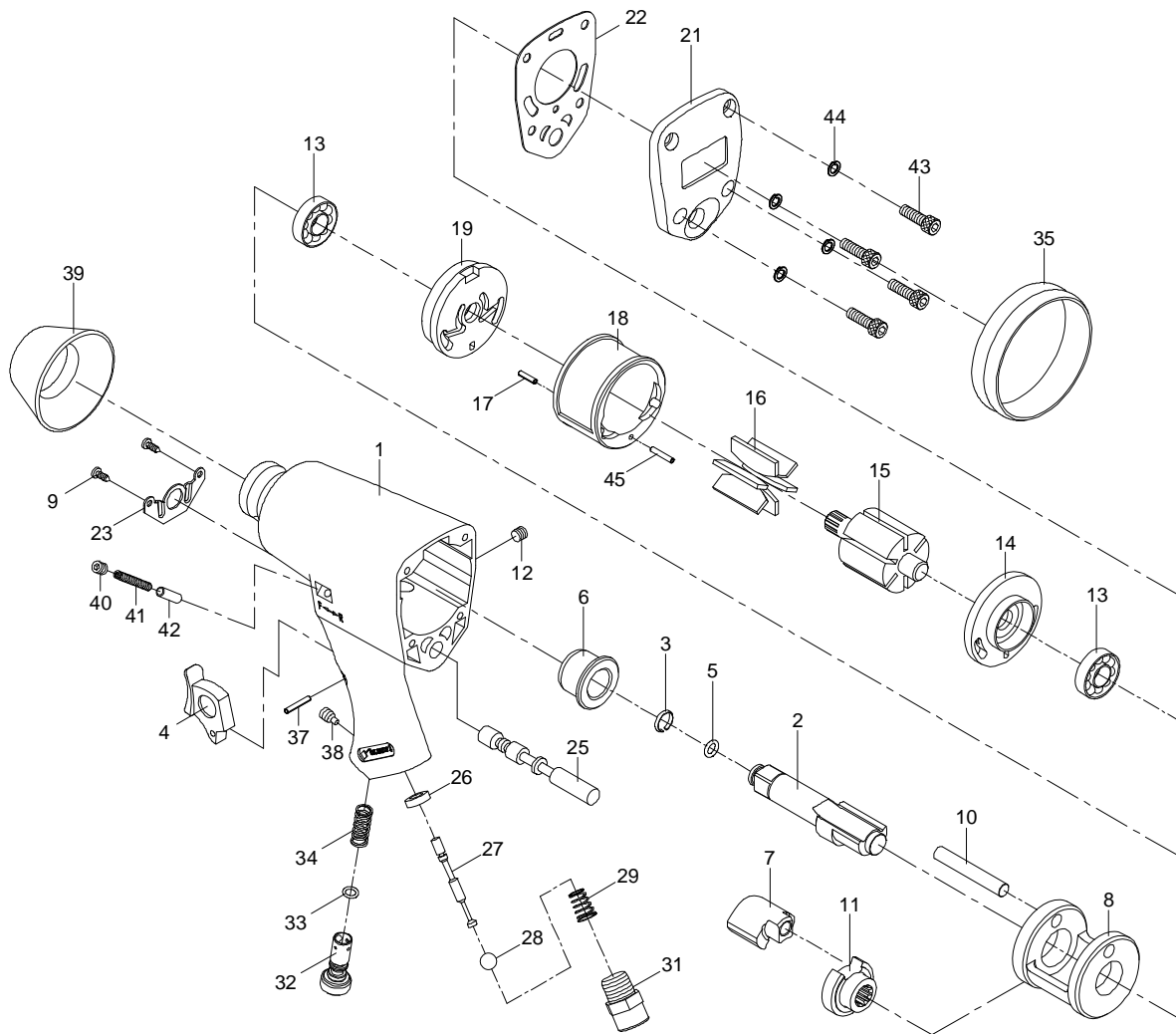




Parts List for 1/2-inch Square Drive Impact Wrench Model JSM-403



Replacement parts are listed on reverse side. To order parts or reach our service department, call 1-800-274-6848 Monday through Friday (see our website for business hours, www.jettools.com). Having the Model Number and Serial Number of your tool available when you call will allow us to serve you quickly and accurately.

WALTER MEIER (Manufacturing) Inc.

427 New Sanford Road
LaVergne, Tennessee 37086
Ph.: 800-274-6848
www.jettools.com

Part No. M-JSM-401
Revision B 08/2010

Copyright © 2010 Walter Meier (Manufacturing) Inc.

Parts List for 1/2-inch Square Drive Impact Wrench, model JSM-403

Index No.	Part No.	Description	Size	Qty
1	40301	Motor Housing		1
2	40302	Anvil	1/2" Square	1
3	40303	Anvil Collar and Seal	13*11*0.9 mm	1
4	40304	Trigger		1
5	40305	O-Ring	6.5*2 mm	1
6	40306	Anvil Bushing		1
7	40307	Hammer Dog		1
8	40308	Hammer Cage		1
9	40309	Screw	M3*8L	2
10	40310	Hammer Pin	8*52.6L mm	1
11	40311	Drive Cam		1
12	40312	Screw	M8*8L	1
13	40313	Ball Bearing	6001	2
14	40314	Rear End Plate		1
15	40315	Rotor		1
16	40316	Rotor Vane		6
17	40317-13	Spring Pin	3*12L mm	1
18	40318	Cylinder		1
19	40319	Front End Plate		1
21	40321	Rear Cover		1
22	40322	Rear Gasket		1
23	40323	Exhaust Deflector		1
25	40325	Reverse Valve		1
26	40326	Valve Seat		1
27	40327	Valve Stem		1
28	40328	Steel Ball	3/8"	1
29	40329	Spring		1
31	40331	Hose Adapter		1
32	40332	Air Regulator		1
33	40333	O-Ring		1
34	40329-12	Spring		1
35	40335	Rubber		1
37	40337	Spring Pin	3*18L mm	1
38	40334A	Screw	M5*7L	1
39	40339	Protecting Rubber		1
40	40340	Screw	M5*5L	1
41	40341	Spring		1
42	40342	Pin		1
43	40343	Screw	M5*16L	4
44	40344	Spring Washer	M5	4
45	40345	Spring Pin	3x16L mm	1