

**SENCO**®

# **FinishPro® 2N1**

## **18 ga. Brad Nailer / Finish Stapler**

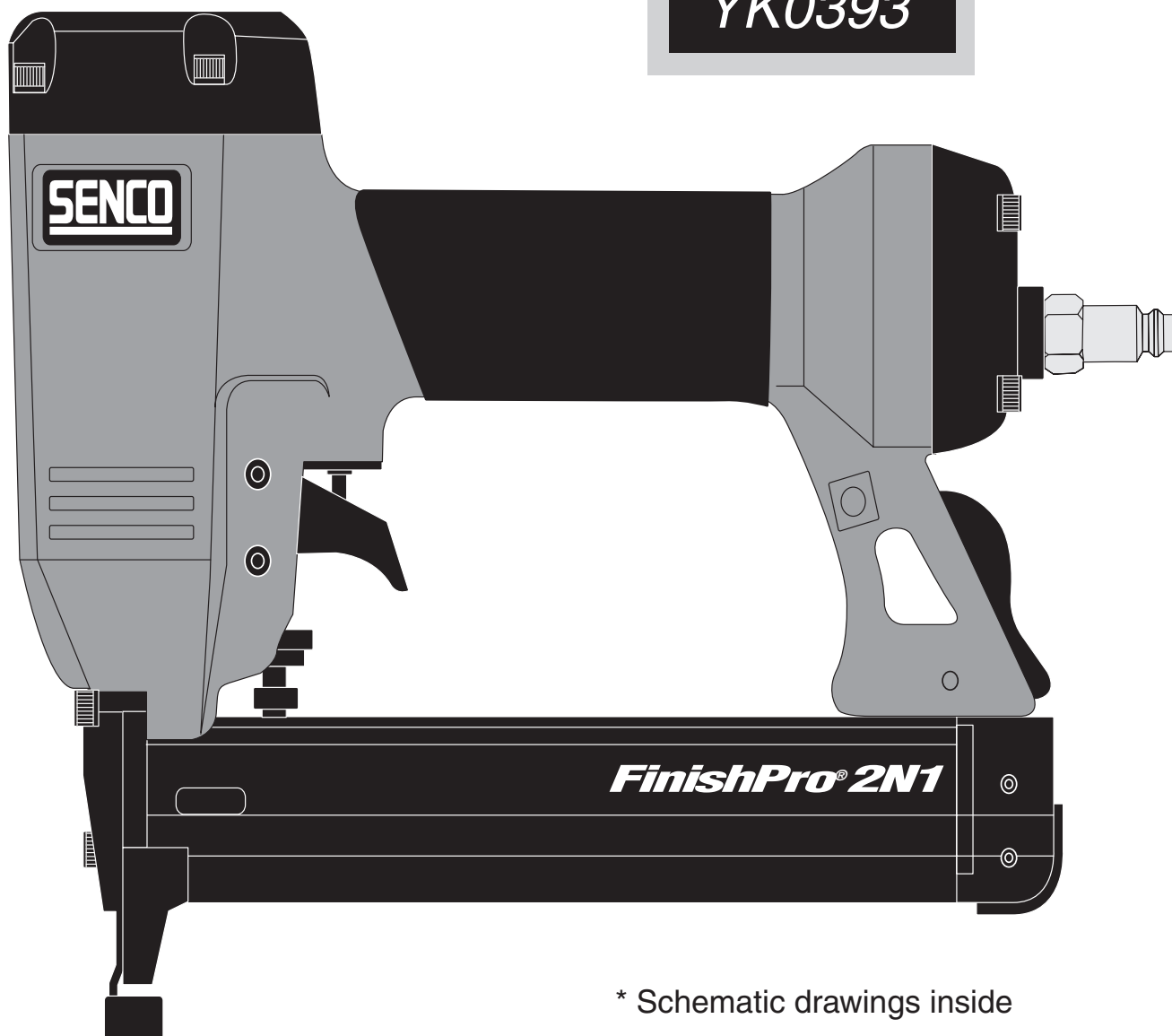


### **Parts Reference Guide**



**Repair Kit**

**YK0393**



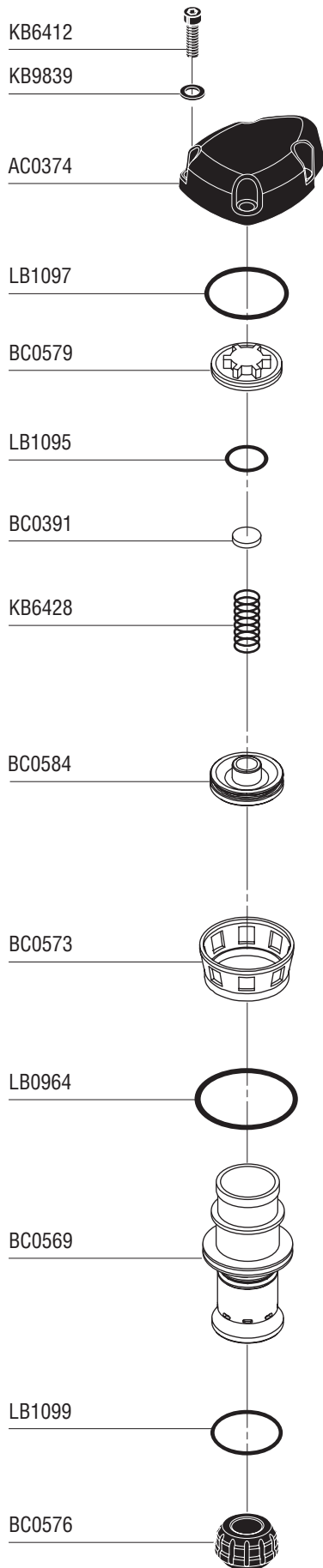
\* Schematic drawings inside

Senco Products Inc.  
8485 Broadwell Road  
Cincinnati, Ohio 45244

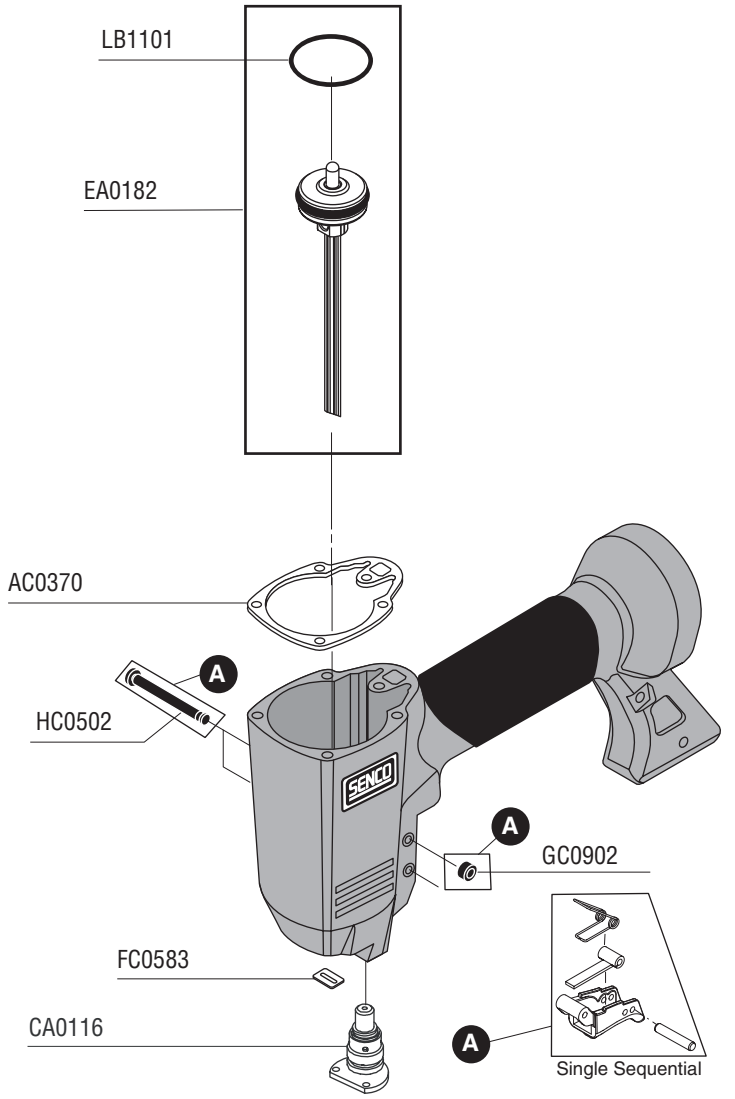
Questions? Comments? call SENCO's toll-free Action-line:  
1-800-543-4596 (North and South America Only)  
or e-mail: [toolprof@senco.com](mailto:toolprof@senco.com)

Visit Our Website: [www.senco.com](http://www.senco.com)

NFG02D Revised July 26, 2007 (Replaces 1/31/06) © 2002, 2007 by SENCO Products, Inc. Cincinnati, Ohio 45244 - U.S.A.



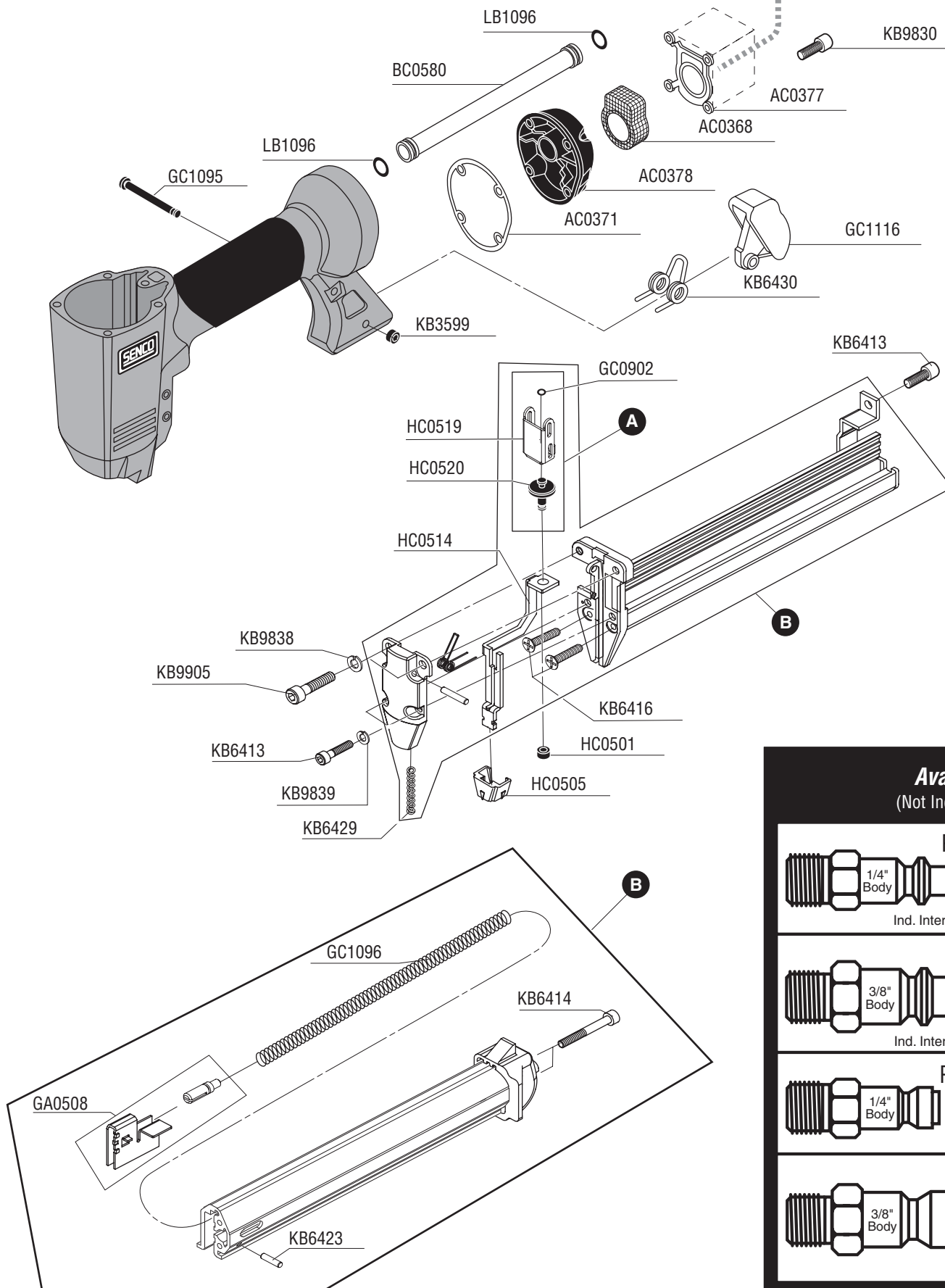
Tool #	Model
2D0001N	Single Sequential
2D2001N	Single Sequential
2D3001N	Single Sequential



Tool #	Model	A	B
2D0001N	Single-Sequential (US)	HA0192	GA0506
2D2001N	Single-Sequential (Euro)	HA0192	GA0507
2D3001N	Single-Sequential (Au)	HA0192	GA0506

# FinishPro® 2N1

**SENCO®**



NFG02D Revised July 26, 2007 (Replaces 1/31/06) © 2002, 2007 by SENCO Products, Inc. Cincinnati, Ohio 45244 - U.S.A.

## Available Plugs (Not Included with Tool)

	<b>PC0479</b> ✓
Ind. Interchange 1/4" NPT	
	<b>PC0486</b>
Ind. Interchange 1/4" NPT	
	<b>PC0468</b> ✓
Tru-Flate 1/4" NPT	
	<b>PC0474</b>
Tru-Flate 1/4" NPT	

✓ **Recommended Plugs**  
Plugs shown smaller than actual size

# FinishPro® 2N1

REPLACEMENT PARTS LIST • LISTA DE PARTES DE REPUESTO • ERSATSTEILE-LISTE • LISTE DE PIÈCES DE RECHANGE

PART NO.	DESCRIPTION	DESCRIPCIÓN	BESCHREIBUNG	DÉSIGNATION
AC0368	MUFFLER	SILENCIADOR	DÄMPFER	SILENCIEUX
AC0370	SEAL	SELLO	DICHTUNG	JOINT
AC0371	SEAL	SELLO	DICHTUNG	JOINT
AC0374	CYLINDER CAP	TAPA	KAPPE	BOUCHON
AC0377	COVER	CUBIERTA	ABDECKUNG	COUVERCLE
AC0378	COVER	CUBIERTA	ABDECKUNG	COUVERCLE
BC0391	SEAL	SELLO	DICHTUNG	JOINT
BC0569	CYLINDER	CILINDRO	ZYLINDER	CYLINDRE
BC0573	RETAINER	JUNTA TÓRICA	SICHERUNGSRING	RETENUE
BC0576	BUMPER	AMORTIGUADOR	PUFFER	AMORTISSEUR
BC0579	EXHAUST VALVE SITE	ASAMBLE DE VÁLVULA	VENTIL-ZUSAMMENBAU	VALVE D'ASSEMBLÉE
BC0580	TUBE	TUBO	ROHR	TUBE
BC0584	FIRING VALVE ASSEMBLY	ASAMBLE DE VÁLVULA	VENTIL-ZUSAMMENBAU	VALVE D'ASSEMBLÉE
CA0116	REMOTE VALVE ASSY	ASAMBLE DE VÁLVULA	VENTIL-ZUSAMMENBAU	VALVE D'ASSEMBLÉE
EA0182	PISTON ASSEMBLY	ASAMBLE DE PISTON	KOLBEN-ZUSAMMENBAU	ENSEMBLE PISTON-COUTEAU
FC0583	WASHER	ARANDELA	SCHEIBE	RONDELLE
GA0506	MAGAZINE ASSEMBLY (US)	ASAMBLE DE CARGADOR	MAGAZIN-ZUSAMMENBAU	ENSEMBLE MAGASIN
GA0507	MAGAZINE ASSEMBLY (EU)	ASAMBLE DE CARGADOR	MAGAZIN-ZUSAMMENBAU	ENSEMBLE MAGASIN
GA0508	FEEDER SHOE	ALIMENTADOR	NAGELSCHIEBER	POUSSOIR
GC0902	RETAINER	JUNTA TÓRICA	SICHERUNGSRING	RETENUE
GC1095	PIN	PASADOR	STIFT	GOUPILLE
GC1096	SPRING	RESORTE	FEDER	RESSORT
GC1116	LATCH	UÑETA	VERSCHLUSS	DOIGT DE RETENUE
HA0192	TRIGGER ASSY (Single Sequential)	ASAMBLE DE GATILLO	AUSLÖSER	ENSEMBLE GÂCHETTE
HC0501	SHAFT RING	ANILLO	REIFEN	ANNEAU
HC0502	PIN	PASADOR	STIFT	GOUPILLE
HC0505	NO-MAR PAD	AMORTIGUADOR	SCHUTZ	COUSSIN
HC0514	SAFETY (YOKE) ELEMENT	ASAMBLE DE SEGURO	SICHERHEITSVORRICHTUNG	PALPEUR DE SÉCURITÉ
HC0519	PLATE	PLACA	PLATTE	PLAQUE
HC0520	SAFETY ADJUSTMENT WHEEL	MANIVELA	RANDELSCHRAUBE	MOLETTE
KB3599	RETAINER	JUNTA TÓRICA	SICHERUNGSRING	RETENUE
KB6412	SCREW	TORNILLO	SCHRAUBE	VIS
KB6413	SCREW	TORNILLO	SCHRAUBE	VIS
KB6414	SCREW	TORNILLO	SCHRAUBE	VIS
KB6416	SCREW	TORNILLO	SCHRAUBE	VIS
KB6423	PIN	PASADOR	STIFT	GOUPILLE
KB6428	SPRING	RESORTE	FEDER	RESSORT
KB6429	SPRING	RESORTE	FEDER	RESSORT
KB6430	SPRING	RESORTE	FEDER	RESSORT
KB9830	SCREW	TORNILLO	SCHRAUBE	VIS
KB9838	WASHER	ARANDELA	SCHEIBE	RONDELLE
KB9839	WASHER	ARANDELA	SCHEIBE	RONDELLE
KB9905	SCREW	TORNILLO	SCHRAUBE	VIS
LB0964	SEAL	SELLO	DICHTUNG	JOINT
LB1095	SEAL	SELLO	DICHTUNG	JOINT
LB1096	SEAL	SELLO	DICHTUNG	JOINT
LB1097	SEAL	SELLO	DICHTUNG	JOINT
LB1099	SEAL	SELLO	DICHTUNG	JOINT
LB1101	SEAL	SELLO	DICHTUNG	JOINT