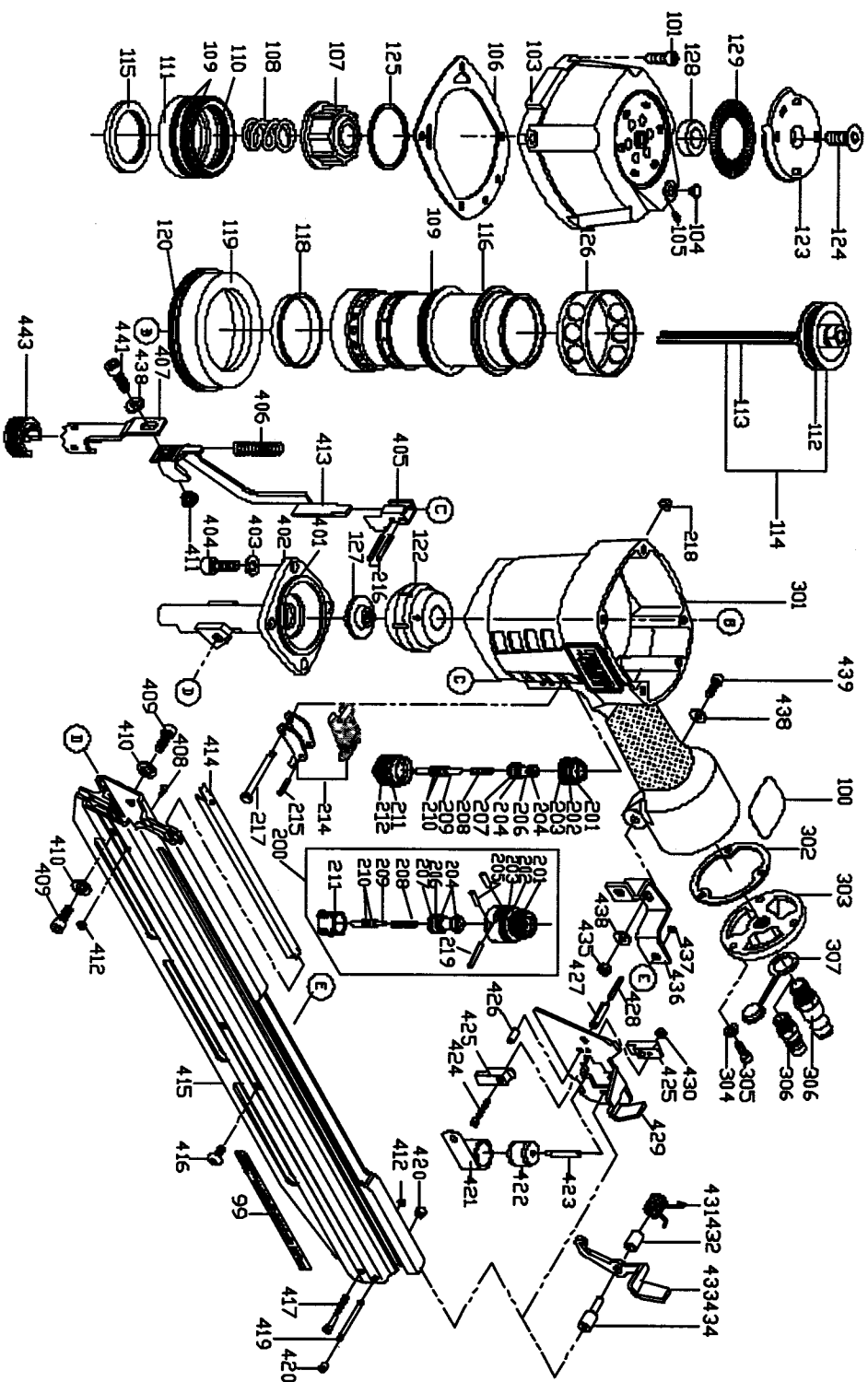


PORTER-CABLE CLIPPED HEAD FRAMING NAILER

FC350



Parts List for FC350 Type 3

| Item Number | Part Number | Description | Qty Required |
|-------------|-------------|---------------------|--------------|
| 99 | 903331 | INFORMATION PLATE | 1 |
| 99 | 903331 | INFORMATION PLATE | 1 |
| 100 | 904673 | WARNING LABEL | 1 |
| 101 | 898306 | BOLT | 1 |
| 103 | 000000-00 | No Longer Available | 1 |
| 104 | 886148 | GROMMET | 1 |
| 105 | 883912 | SET SCREW | 1 |
| 106 | 000000-00 | No Longer Available | 1 |
| 107 | 901901 | PISTON STOP AFTER | 1 |
| 108 | A02668 | COMPRESSION SPRING | 1 |
| 109 | 886081 | O-RING | 2 |
| 110 | 886082 | O-RING | 1 |
| 111 | A02667 | HEAD VALVE PISTON | 1 |
| 112 | 887905 | O-RING | 1 |
| 113 | 908650 | DRIVER | 1 |
| 114 | 903770 | DRIVER MAINT KIT | 1 |
| 114 | 903770 | DRIVER MAINT KIT | 1 |
| 115 | 886108 | HD VLV SEAL | 1 |
| 116 | 890723 | CYLINDER | 1 |
| 118 | 886168 | CHECK RING | 1 |
| 119 | 886156 | CYLINDER SPACER | 1 |
| 120 | 886100 | O-RING | 1 |
| 122 | 886157 | BUMPER | 1 |
| 123 | 886146 | DEFLECTOR | 1 |
| 124 | 886431 | SCREW T2 | 1 |
| 125 | 886149 | WASHER | 1 |
| 126 | 886206 | PRESS RING | 1 |

COPYRIGHT© 2005. All Rights Reserved.

Parts list, pricing, and availability subject to change. Please visit www.dewaltservicenet.com for current parts information.

Parts List for FC350 Type 3

| Item Number | Part Number | Description | Qty Required |
|-------------|-------------|----------------------|--------------|
| 127 | 886432 | DRIVER GUIDE | 1 |
| 128 | 886433 | RUBBER PAD | 1 |
| 129 | 886541 | MUFFLER | 1 |
| 200 | A08368 | SS/A TRIGGER VALVE K | 1 |
| 201 | 897340 | O-RING | 1 |
| 201 | 883831 | O-RING | 1 |
| 202 | 897342 | CAP | 1 |
| 202 | 883934 | BREATHER VALVE | 1 |
| 203 | 897341 | O-RING | 1 |
| 203 | 883935 | O-RING | 1 |
| 204 | 883936 | O-RING | 1 |
| 205 | 897374 | PIN (3X12) | 1 |
| 206 | 883937 | TRIGGER VALVE | 1 |
| 207 | 883938 | O-RING | 1 |
| 208 | 883939 | PLUNGER SPRING | 1 |
| 209 | 897346 | PLUNGER | 1 |
| 209 | 883940 | PLUNGER | 1 |
| 210 | 883848 | O-RING | 2 |
| 211 | 897347 | VALVE | 1 |
| 211 | 883941 | TRIGGER CAP | 1 |
| 212 | 883942 | O-RING | 1 |
| 214 | 5140112-38 | SELECTABLE TRIGGER | 1 |
| 214 | 908019 | SINGLE SEQUENTIAL TR | 1 |
| 215 | 883945 | ROLLED PIN | 1 |
| 216 | 883884 | ROLLED PIN | 1 |
| 217 | 890724 | PIN | 1 |
| 218 | 890725 | URETHANE RETAINER | 1 |

COPYRIGHT© 2005. All Rights Reserved.

Parts list, pricing, and availability subject to change. Please visit www.dewaltservicenet.com for current parts information.

Parts List for FC350 Type 3

| Item Number | Part Number | Description | Qty Required |
|-------------|-------------|---------------------|--------------|
| 219 | 897349 | PIN-SPRING | 1 |
| 301 | 909499 | HOUSING FC350 | 1 |
| 302 | 886158 | GASKET | 1 |
| 303 | 886159 | 3/8 END CAP | 1 |
| 304 | 883827 | SPRING WASHER | 1 |
| 305 | 883826 | BOLT | 1 |
| 305 | 894752 | BOLT | 1 |
| 306 | 886103 | 3/8 MALE QUICK CP | 1 |
| 306 | 887077 | 1/4 MALE QUICK CP | 1 |
| 307 | 886263 | 3/8 PROT COVER(AI | 1 |
| 307 | 887078 | 1/4 PROT CVR(AIR | 1 |
| 401 | 886084 | O-RING | 1 |
| 402 | 890726 | NOSE PIECE | 1 |
| 404 | 894800 | BOLT | 1 |
| 405 | 909489 | SAFETY GUIDE | 1 |
| 406 | 903354 | SAFETY SPRING - CE | 1 |
| 407 | 886213 | SAFETY A | 1 |
| 408 | 883866 | BOLT | 1 |
| 409 | 886257 | BOLT | 1 |
| 410 | 886077 | LOCK WASHER | 1 |
| 411 | 886215 | SCREW FIXING SEAT | 1 |
| 412 | 883882 | LOCK NUT | 1 |
| 413 | 909490 | SAFETY B | 1 |
| 414 | 886209 | STEEL CHANNEL | 1 |
| 415 | 000000-00 | No Longer Available | 1 |
| 416 | 886260 | BOLT | 1 |
| 417 | 886253 | BOLT | 1 |

COPYRIGHT© 2005. All Rights Reserved.

Parts list, pricing, and availability subject to change. Please visit www.dewaltservicenet.com for current parts information.

Parts List for FC350 Type 3

| Item Number | Part Number | Description | Qty Required |
|-------------|-------------|---------------------|--------------|
| 419 | 886181 | LATCH PIN | 1 |
| 420 | 886145 | RETAINING RING | 1 |
| 421 | 886162 | SPRING | 1 |
| 422 | 886175 | ROLLING ELEMENT | 1 |
| 423 | 886207 | PIN | 1 |
| 424 | 886252 | BOLT | 1 |
| 425 | A01320 | PUSHER BRG | 1 |
| 426 | 888597 | PIN | 1 |
| 427 | 886072 | ROLLED PIN | 1 |
| 428 | 886070 | ROLLED PIN | 1 |
| 429 | A01321 | PUSHER | 1 |
| 430 | 886104 | LOCK NUT | 1 |
| 431 | 886167 | LATCH SPRING | 1 |
| 432 | 886166 | LATCH SPRG BUSHING | 1 |
| 433 | 886165 | LATCH | 1 |
| 434 | 886164 | MAGAZINE SPACER | 1 |
| 435 | 883970 | NUT-LOCK | 1 |
| 436 | 886212 | BRACKET | 1 |
| 437 | 886105 | LOCKNUT | 1 |
| 438 | 883971 | WASHER-FLAT | 1 |
| 439 | 886255 | BOLT | 1 |
| 441 | 883994 | BOLT | 1 |
| 443 | 887247 | NOSE CUSHION ASSY | 1 |
| 800 | 884293 | AIR TOOL OIL (18CC) | 1 |
| 856 | 903788 | OVERHAUL KIT | 1 |
| 856 | 903788 | OVERHAUL KIT | 1 |
| 856 | 60074 | OVERHAUL KIT | 1 |

COPYRIGHT© 2005. All Rights Reserved.

Parts list, pricing, and availability subject to change. Please visit www.dewaltservicenet.com for current parts information.

Parts List for FC350 Type 3

| Item Number | Part Number | Description | Qty Required |
|-------------|-------------|----------------------|--------------|
| 856 | 893579 | SAFETY GLASSES | 1 |
| 856 | 884300 | HEX WRENCH | 1 |
| 856 | 884298 | HEX WRENCH (4MM) | 1 |
| 856 | 884299 | HEX WRENCH (5MM) | 1 |
| 861 | 887244 | CARRYING CASE FR350- | 1 |
| 861 | 887712 | LATCH CARRYING CASE | 1 |

COPYRIGHT© 2005. All Rights Reserved.

Parts list, pricing, and availability subject to change. Please visit www.dewaltservicenet.com for current parts information.