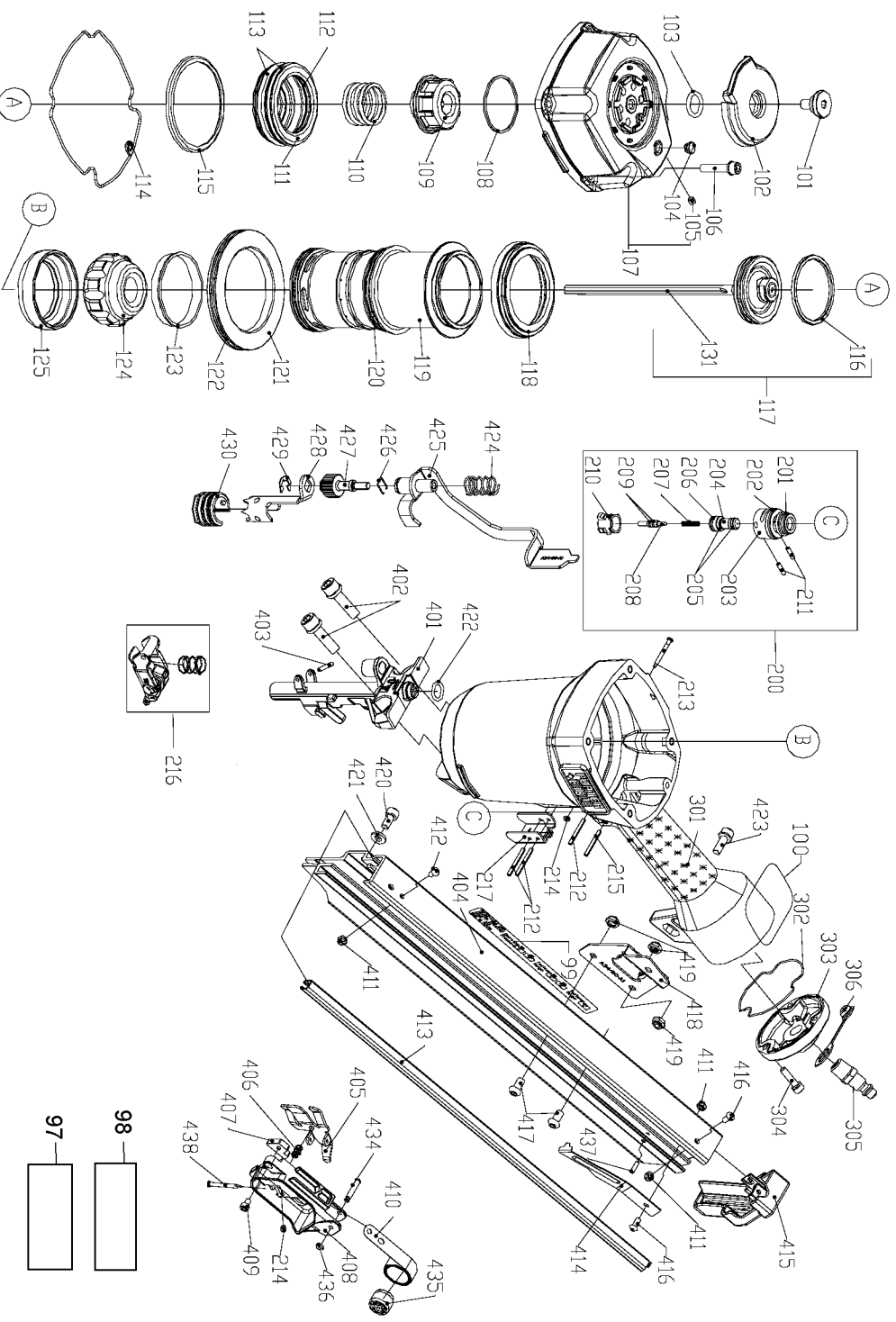


# PORTER-CABLE CLIPPED HEAD FRAMING NAILER

WARNING: Repairs should only be attempted by trained repairmen. Contact the nearest Porter-Cable Service Center or other competent repair center.

## FC350A



98 —

97 —

## Parts List for FC350A Type 2

Item Number	Part Number	Description	Qty Required
99	903331	INFORMATION PLATE	1
100	904673	WARNING LABEL	1
101	910757	BUSHING-EXHAUST DEFL	1
102	897316	DEFLECTOR	1
103	904269	O-RING (16 X 3)(3016	1
104	886148	GROMMET	1
105	883912	SET SCREW	10
106	897318	BOLT	10
107	A08651	CAP	1
108	910759	WASHER- BEARING (STE	1
109	A03849	PISTON STOP	1
110	910761	SPRING	1
111	A08650	HEAD VALVE PISTON	1
112	910763	QUAD RING (47.04 X3.	1
113	910764	O-RING (61.5 X 3.1)	2
114	910765	GASKET-HOUSING CAP	1
115	897338	SEAT-PRESS RING	1
116	908928	PISTON RING	1
117	60094	DRIVER KIT	1
117	910488	AS/A DRIVER MAINT KI	1
117	910766	DRIVER W/ PISTO	1
118	910767	COLLAR - PU	1
119	910768	CYLINDER	1
120	910769	O-RING (62 X 3.0)	1
121	910770	CYLINDER SPACER	1
122	897389	O-RING	1
123	897387	RING	1

COPYRIGHT© 2005. All Rights Reserved.

Parts list, pricing, and availability subject to change. Please visit [www.dewaltservicenet.com](http://www.dewaltservicenet.com) for current parts information.

## Parts List for FC350A Type 2

Item Number	Part Number	Description	Qty Required
124	897337	BUMPER	1
125	910771	BUMPER SEAT (NYLON)	1
131	910417	DRIVER BLADE	1
200	A08368	SS/A TRIGGER VALVE K	1
201	897340	O-RING	1
202	897341	O-RING	1
203	897342	CAP	1
204	A08369	VALVE PLUNGER	1
205	883936	O-RING	1
206	883938	O-RING	1
207	883939	PLUNGER SPRING	1
208	897346	PLUNGER	1
209	883848	O-RING	1
210	897347	VALVE	1
211	897374	PIN (3X12)	2
212	897349	PIN-SPRING	3
213	897351	PIN	1
214	890725	URETHANE RETAINER	2
215	883884	ROLLED PIN	1
216	5140112-38	SELECTABLE TRIGGER	1
216	908019	SINGLE SEQUENTIAL TR	1
217	910772	SAFETY GUIDE	1
301	910774	HOUSING	1
302	910775	GASKET (END CAP)	1
303	910776	END CAP (NPT3/8-1	1
304	894752	BOLT	1
305	887077	1/4 MALE QUICK CP	1

COPYRIGHT© 2005. All Rights Reserved.

Parts list, pricing, and availability subject to change. Please visit [www.dewaltservicenetwork.com](http://www.dewaltservicenetwork.com) for current parts information.

## Parts List for FC350A Type 2

Item Number	Part Number	Description	Qty Required
306	887078	1/4 PROT CVR(AIR	1
401	910777	NOSE PIECE	1
402	894800	BOLT	2
403	886070	ROLLED PIN	1
404	A04696	MAGAZINE	1
405	907892	PUSHER	1
406	897431	SPRING	1
407	907893	NUT	10
408	907894	COVER	1
409	883866	BOLT	1
410	907895	SPRING	1
411	883882	LOCK NUT	10
412	883999	BOLT	1
413	A03616	CHANNEL	1
414	910779	NAIL STOP	1
415	910780	COVER- PROTECTIVE MA	1
416	884001	BOLT	1
417	886260	BOLT	1
418	910781	BRACKET	1
419	886105	LOCKNUT	1
420	886257	BOLT	1
421	910782	FLAT WASHER (D13 X D	1
422	A09211	O-RING (11.58X2.13)	1
423	910784	SCREW ASSY -HEX SKT	10
424	910785	SPRING-SAFETY	1
425	910786	SAFETY B ASSY	1
426	907907	RING	1

COPYRIGHT© 2005. All Rights Reserved.

Parts list, pricing, and availability subject to change. Please visit [www.dewaltservicenet.com](http://www.dewaltservicenet.com) for current parts information.

## Parts List for FC350A Type 2

Item Number	Part Number	Description	Qty Required
427	910787	THUMB WHEEL	1
428	910788	SAFETY A	1
429	907905	E-RING	1
430	897384	NOSE CUSHION	1
434	907906	PIN	1
435	886440	ROLLING ELEMENT	1
436	897359	RETAINING RING	1
437	909202	PIN	1
438	890724	PIN	1
800	884293	AIR TOOL OIL (18CC)	1
856	910450	AS/A OVERHAUL KIT	1
856	60093	OVERHAUL KIT	1
856	884299	HEX WRENCH (5MM)	1
856	893579	SAFETY GLASSES	1
861	A04694	CARRYING CASE	1

COPYRIGHT© 2005. All Rights Reserved.

Parts list, pricing, and availability subject to change. Please visit [www.dewaltservicenet.com](http://www.dewaltservicenet.com) for current parts information.