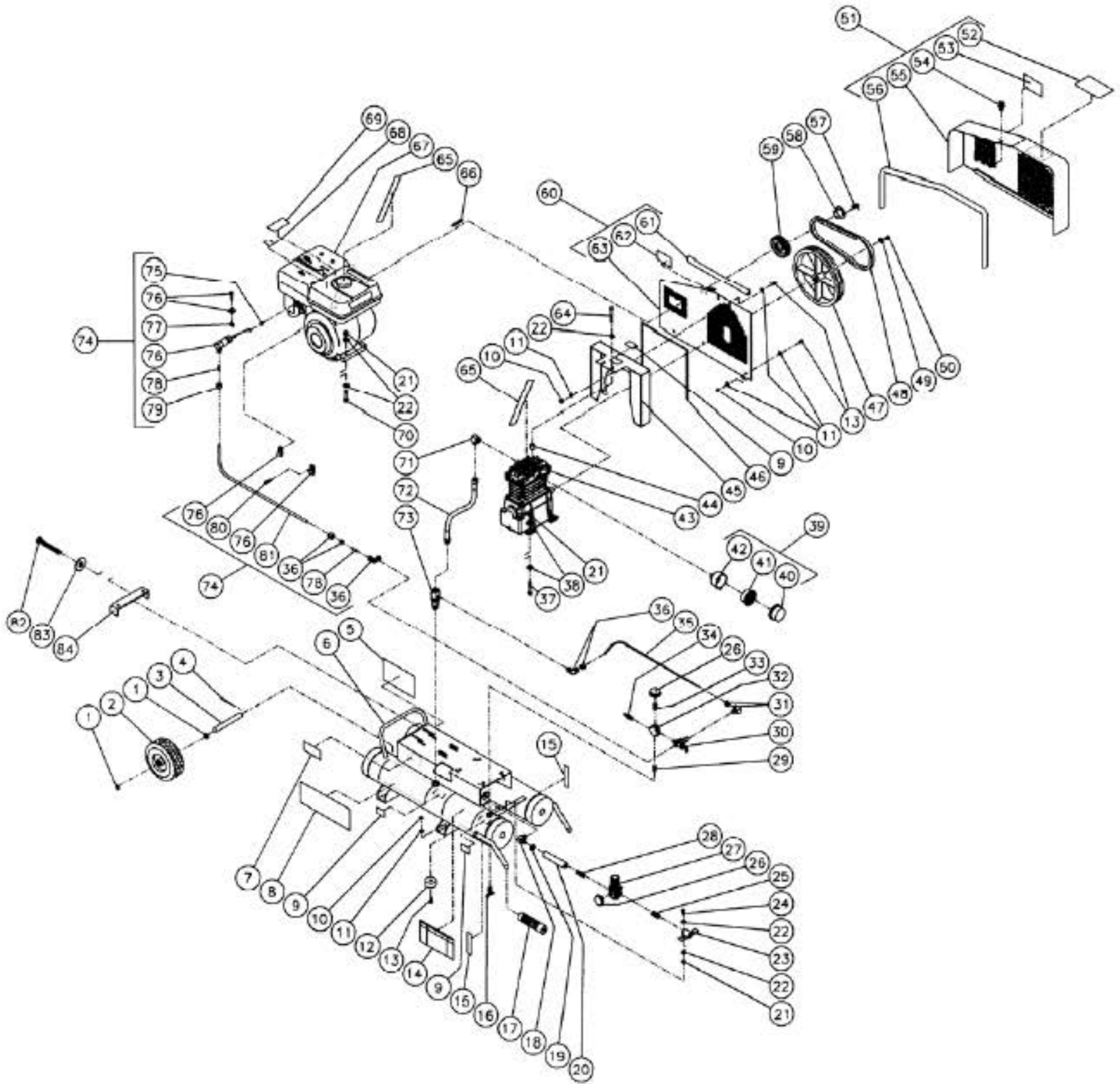


# GAS COMPRESSOR PARTS LIST

## ■ GAS COMPRESSOR Model EC 25E

2003 • 02 • 19  
(E1)

Breakdowns and Owners Manuals are also available on our Web Site "WWW.HITACHI.COM/POWERTOOLS"



\*Main Parts Above  
\*Pump Section parts follow. (Pages 4 & 5)

85

Decal Set

Includes Items:  
5, 9, 14, 15, 52,  
62, 65, 68, 69

86

Hose Kit

Includes Items:  
71, 72, 73

## PARTS

EC25E

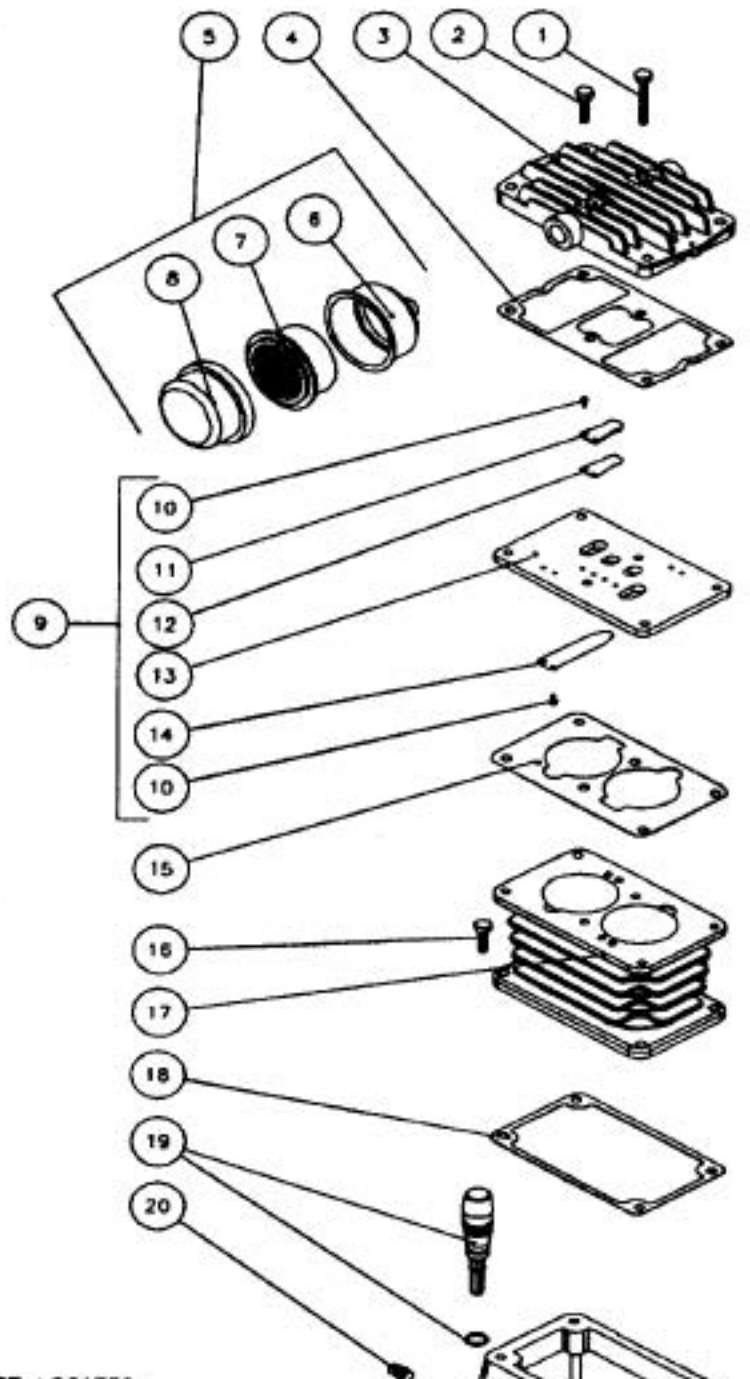
| ITEM # | CODE # | DESCRIPTION   | NO USED | Remarks |
|--------|--------|---|---------|---------|
| 1      | 724001 | Washer  | 8       |         |
| 2      | 724005 | Wheel   | 1       |         |
| 3      | 724003 | Axle  | 1       |         |
| 4      | 724004 | Cotter pin  | 2       |         |
| 5      |        | Decal-Maintenance Instructions (See Item 83)        | 1       |         |
| 6      | 724006 | Air Tank Assembly (Includes Items 8,9,14,15)        | 1       |         |
| 7      | N/A    | Decal Data Plate                                    | 1       |         |
| 8      | 724008 | Decal- Hitachi Logo                                 | 1       |         |
| 9      |        | Decal- Warning Hot Surface (See Item 83)            | 3       |         |
| 10     | 724010 | Locknut   | 11      |         |
| 11     | 724011 | Washer  | 18      |         |
| 12     | 724012 | Isolator  | 4       |         |
| 13     | 724013 | Bolt  | 11      |         |
| 14     |        | Decal- Danger/Warning/Caution (See Item 83)         | 1       |         |
| 15     |        | Decal Drain Tank (See Item 83)                      | 2       |         |
| 16     | 724016 | Drain Valve   | 2       |         |
| 17     | 724017 | Handle Grips  | 2       |         |
| 18     | 724018 | Elbow   | 1       |         |
| 19     | 724019 | Hose Clamp  | 2       |         |
| 20     | 724020 | Hose (One Foot length Required)                     | 1       |         |
| 21     | 724024 | Locknut   | 10      |         |
| 22     | 724022 | Washer  | 14      |         |
| 23     | 724023 | Regulator Mounting Bracket                          | 1       |         |
| 24     | 724021 | Bolt  | 2       |         |
| 25     | 724064 | Nipple  | 1       |         |
| 26     | 724088 | Pressure Gauge                                      | 2       |         |
| 27     | 724065 | Regulator-Adjustable                                | 1       |         |
| 28     | 724067 | Hose Barb   | 1       |         |
| 29     | 724030 | Nipple  | 1       |         |
| 30     | 724033 | Un-loader Valve (Pilot, Filter & Valve, all in one) | 1       |         |
| 31     | 724034 | Elbow   | 1       |         |
| 32     | 724035 | Brass Cross   | 1       |         |
| 33     | 724036 | Adapter   | 1       |         |
| 34     | 724037 | Safety Relief Valve                                 | 1       |         |
| 35     | 724038 | Tube (Two Foot length Required)                     | 1       |         |
| 36     | 724039 | Elbow   | 2       |         |
| 37     | 724040 | Bolt  | 4       |         |
| 38     | 724041 | Washer  | 8       |         |
| 39     | 724042 | Air Filter Ass'y (Includes Items 40-42)             | 1       |         |
| 40     | 724108 | Filer Housing Cover                                 | 1       |         |
| 41     | 724044 | Filter Element                                      | 1       |         |
| 42     |        | Rear Filter Housing (Included w/ Item 39 Only)      | 1       |         |

## PARTS

EC25E

| ITEM # | CODE # | DESCRIPTION                       | QTY | Remarks                                 |
|--------|--------|-----------------------------------|-----|---|
| 43     | 724046 | Pump Ass'y                        | 1   |   |
| 44     | 724047 | Spacer                            | 2   |   |
| 45     | 724048 | Air Shroud                        | 1   |   |
| 46     | 724085 | Gasket                            | 1   |   |
| 47     | 724049 | Flywheel                          | 1   |   |
| 48     | 724050 | Drive Belt                        | 1   |   |
| 49     | N/A    | Flywheel Flat washer              | 1   |   |
| 50     | 724021 | Bolt                              | 1   |   |
| 51     | 724084 | Belt guard Front Ass'y            | 1   | (Includes Items 51-55)                  |
| 52     |        | Decal- Operating Instructions/Gas | 1   | (See Item 83)                           |
| 53     | 724055 | Decal- Hitachi Small Logo         | 1   |   |
| 54     | 724056 | Fastener                          | 1   |   |
| 55     |        | Front Belt Guard                  | 1   | (Included w/ Item 51 Only)              |
| 56     | 724063 | Edging                            | 1   | (Four Feet Required)                    |
| 57     | 724013 | Bolt w/ Bushing                   | 2   |   |
| 58     | 724060 | Bushing                           | 1   |   |
| 59     | 724061 | Drive Pulley                      | 1   |   |
| 60     | 724062 | Belt Guard Back Ass'y             | 1   | (Includes Items 61-63)                  |
| 61     | 724058 | Edging                            | 1   | (Two Feet Required)                     |
| 62     |        | Decal- Warning Belt guard         | 1   | (See Item 83)                           |
| 63     |        | Belt guard Back                   | 1   | (Included w/ Item 60 Only)              |
| 64     | 724066 | Bolt                              | 2   |   |
| 65     |        | Decal-Check Oil Tape              | 2   | (See Item 83)                           |
| 66     | 724068 | Key                               | 1   |   |
| 67     | 724069 | Engine- 5.5 HP Honda              | 1   |   |
| 68     |        | Decal- Engine Fuel                | 1   | (See Item 83)                           |
| 69     |        | Decal- Muffler Hot                | 1   | (See Item 83)                           |
| 70     | 724072 | Bolt                              | 4   |   |
| 71     | 724045 | Elbow                             | 1   |   |
| 72     | 724051 | Hose                              | 1   |   |
| 73     | 724076 | Check Valve                       | 1   |   |
| 74     | 724081 | Air Throttle Retrofit kit         | 1   | (Optional Accessory)                    |
| 75     | 724077 | Throttle Control Adapter          |     |   |
| 76     | 724052 | Air Throttle Control              | 1   |   |
| 77     | 724083 | Engine Throttle Clip              | 1   |   |
| 78     | 724053 | Tube Support                      | 2   |   |
| 79     | 724057 | Compression Nut                   | 1   |   |
| 80     | 724029 | Screw                             | 1   |   |
| 81     | 724054 | Plastic Tube                      | 1   | (Two Feet Required)                     |
| 82     | 724078 | Bolt                              | 1   |   |
| 83     | 724079 | Washer                            | 1   |   |
| 84     | 724080 | Belt Tensioner Plate              | 1   |   |
| 85     | 724144 | Decal Set                         |     | (Inc. 5, 9, 14, 15, 52, 62, 65, 68, 69) |

# Pump Section, EC25E



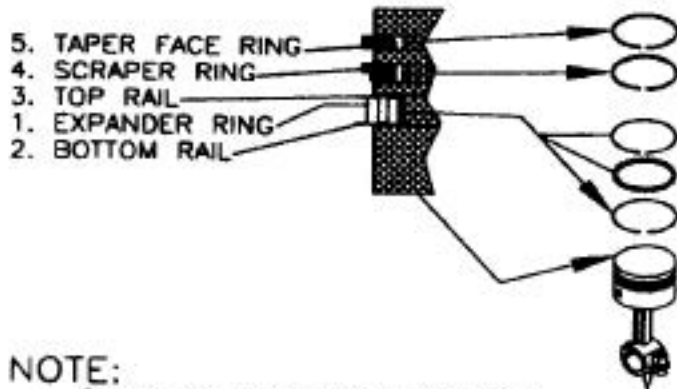
| TORQUE SPECS. |        |      |
|---------------|--------|------|
| POSITION      | FT-LBS | Nm   |
| 1             | 14.75  | 65.0 |
| 2             | 14.75  | 65.0 |
| 16            | 14.75  | 65.0 |
| 26            | 6.0    | 27.0 |

### Kits Available

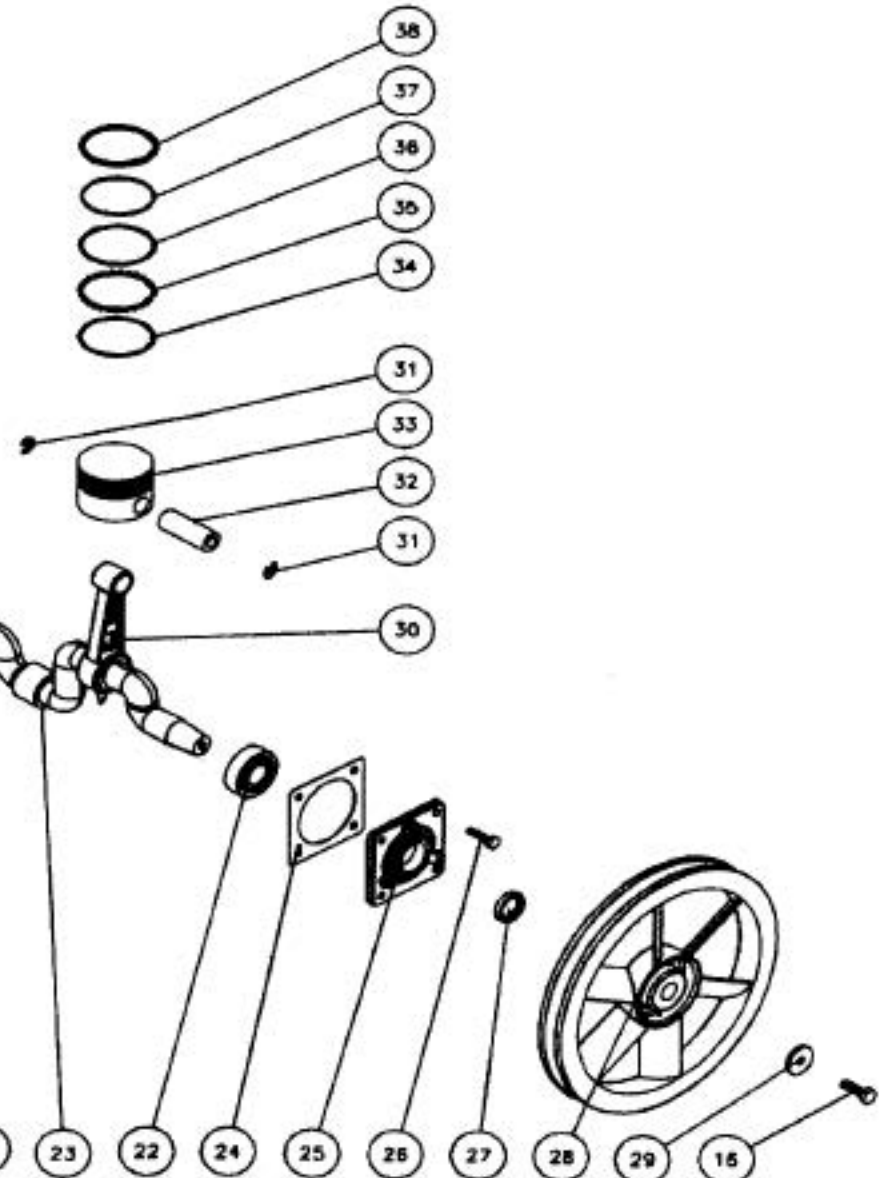
- Item #: 42 – Piston Kit
- 41 – Piston Seal Kit
- 40 – Valve Plate Kit
- 39 – Gasket Kit

TOP MARKS ARE LOCATED ON TOP SURFACE OF THE RINGS

IMPORTANT: RINGS MUST BE ASSEMBLED IN THE POSITION SHOWN AND IN THE FOLLOWING NUMERICAL SEQUENCE:



NOTE:  
ONCE THE RINGS ARE IN PLACE ROTATE THEM SO THE GAPS ARE NOT ALIGNED.



**Pump Section Parts**

**EC25E**

| Item # | Code # | DESCRIPTION                                      | No Used | Remarks |
|--------|--------|--|---------|---------|
| 1      | 724101 | Screw  | 2       |         |
| 2      | 724040 | Screw  | 4       |         |
| 3      | 724103 | Cylinder Head                                    | 1       |         |
| 4      |        | Head Gasket (See Item 39)                        | 1       |         |
| 5      | 724042 | Air Filter Assembly (*) (Includes Items 6-8)     | 1       |         |
| 6      |        | Rear Filter Housing (*) (Included w/Item 5 Only) | 1       |         |
| 7      | 724044 | Filter Element (*)                               | 1       |         |
| 8      | 724108 | Filter Cap (*)                                   | 1       |         |
| 9      | 724152 | Valve Plate Assembly (Includes Items 10-14)      | 1       |         |
| 10     |        | Valve Screw (See Item 9)                         | 8       |         |
| 11     |        | Valve Stop (See Item 9)                          | 2       |         |
| 12     |        | Outlet Reed Valve (See Item 9)                   | 2       |         |
| 13     |        | Valve Plate (Included w/Item 9 Only)             | 1       |         |
| 14     |        | Inlet Reed Valve (See Item 9)                    | 2       |         |
| 15     |        | Cylinder Valve Plate Gasket (See Item 39)        | 1       |         |
| 16     | 724021 | Screw  | 5       |         |
| 17     | 724117 | Cylinder   | 1       |         |
| 18     |        | Cylinder / Crankcase Gasket (See Item 39)        | 1       |         |
| 19     | 724119 | Oil Dipstick w/ O-ring                           | 1       |         |
| 20     | 724120 | Plug   | 1       |         |
| 21     | 724121 | Crankcase  | 1       |         |
| 22     | 724122 | Bear, Ball                                       | 2       |         |
| 23     | 724123 | Crankshaft                                       | 1       |         |
| 24     |        | Flange Gasket (See Item 39)                      | 1       |         |
| 25     | 724125 | Flange   | 1       |         |
| 26     | 724126 | Screw  | 4       |         |
| 27     | 724127 | Shaft Oil Seal                                   | 1       |         |
| 28     | 724049 | Flywheel   | 1       |         |
| 29     |        | Washer w/ Crankshaft (Included w/ Item 23)       | 1       |         |
| 30     | 724130 | Connecting Rod                                   | 2       |         |
| 31     |        | Snap Ring (See Item 41)                          | 4       |         |
| 32     |        | Wrist Pin (See Item 41)                          | 2       |         |
| 33     |        | Piston (See Item 41)                             | 2       |         |
| 34     |        | Bottom Rail (See Item 40)                        | 2       |         |
| 35     |        | Expander Ring (See Item 40)                      | 2       |         |
| 36     |        | Top Rail (See Item 40)                           | 2       |         |
| 37     |        | Scraper Piston Ring (See Item 40)                | 2       |         |
| 38     |        | Taper Face Piston Ring (See Item 40)             | 2       |         |
| 39     | 724139 | Gasket Kit (Inc. 4. 15. 18. 24)                  |         |         |
| 40     | 724140 | Valve Plate Kit (Includes items 10-12, 14)       |         |         |
| 41     | 724141 | Piston Seals Kit (Inc. 34-38)                    |         |         |
| 42     | 724142 | Piston Kit (Inc. 31-33)                          |         |         |