



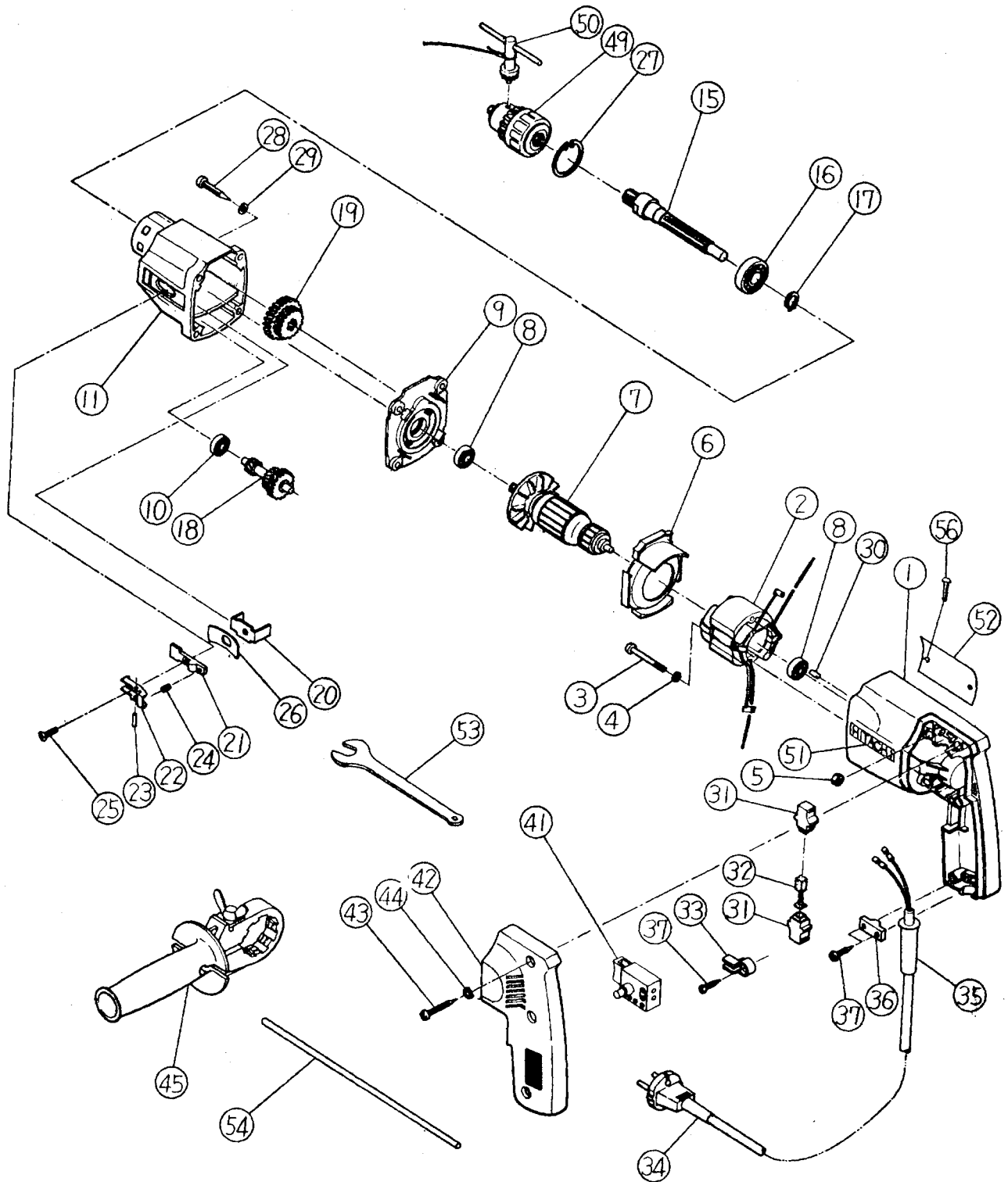
ELECTRIC TOOL PARTS LIST

ELECTRIC DRILL

1981-12-25

Type **DUV-10** □

DUV-10(A1)



PARTS (Prices are subject to change without notice)

DUV-10(A1)

Item No.	Code No.	Parts Name	Q'ty	Remarks		LIST PRICE US\$
1	971690Z	Housing	1			9.90
2	971665U	Stator Ass'y 115V	1			10.90
3	949278Z	⊕Hd. Machine Screw M4 x 55	2	(10 pcs.)		0.40
4	949453Z	Spring Lock Washer	2	for M4 (10 pcs.)		0.40
5	949554Z	Nut M4	2	(10 pcs.)		0.40
6	971642	Fan Guide	1			0.40
7	971666C	Armature Ass'y 115V	1			33.30
8	939396	Ball Bearing (608ZZC2)	2			2.30
9	971664	Inner Cover Ass'y	1			7.40
10	939396	Ball Bearing (608ZZC2)	1			2.30
11	980972	Gear Cover	1			9.80
15	980973	Spindle	1			7.80
16	956397	Ball Bearing (6202DDCM)	1			2.90
17	947214	C-Type Retaining Ring	1	for D15 shaft		0.40
18	971700	Second Pinion Ass'y	1			12.70
19	980192	Gear Ass'y	1			6.50
20	971651	Shift Arm	1			0.40
21	971652	Shift Plate	1			0.70
22	971653	Shift Lock	1			0.50
23	949535Z	Roll Pin D3 x 12	1	(10 pcs.)		0.40
24	943053	Spring (B)	1			0.50
25	949323Z	⊕Flat Hd. Screw M4 x 12	1	(10 pcs.)		0.40
26	971672	Seal Plate Ass'y	1			0.70
27	948409	C-Type Retaining Ring	1	for D35 hole		0.60
28	931875	⊕Tapping Screw M5 x 35	4			0.40
29	949454Z	Spring Lock Washer	4	for M5 (10 pcs.)		0.40
30	946362	Bearing Lock	1			0.40
31	955203	Carbon Brush Holder	2			1.20
32	999041	Carbon Brush	2			1.50
33	971655	Holder Piece	2			0.40
34	500240Z	Cord Ass'y	1	w/o terminal		6.10
35	930354	Cord Armor D10.2	1			0.60
36	937631	Cord Clip	1			0.40
37	954004	⊕Tapping Screw M4 x 16	4			0.40
41	982587Z	Speed Control Switch (C)	1			39.00
42	971691Z	Handle Cover	1			5.70
43	956384	⊕Tapping Screw M4 x 20	3			0.40
44	949423Z	Washer	3	for M4 (10 pcs.)		0.40
45	971662	Side Handle Ass'y	1			3.80
49	950271	Drill Chuck Ass'y 10VLA	1	includ. 50		16.10
50	930119	Chuck Wrench Ass'y	1			2.10
51	957561	HITACHI Label	1			0.40
52	—	Name Plate	1			—
53	937914	Wrench	1			1.10
54	971677	Depth Stopper	1			2.30
55	982805Z	Pillar Terminal (B)	1	not illustrated		1.00
56	932642	Rivet D2.5 x 2.8	1			0.40
57	981373	Tube (D)	1	not illustrated		0.40