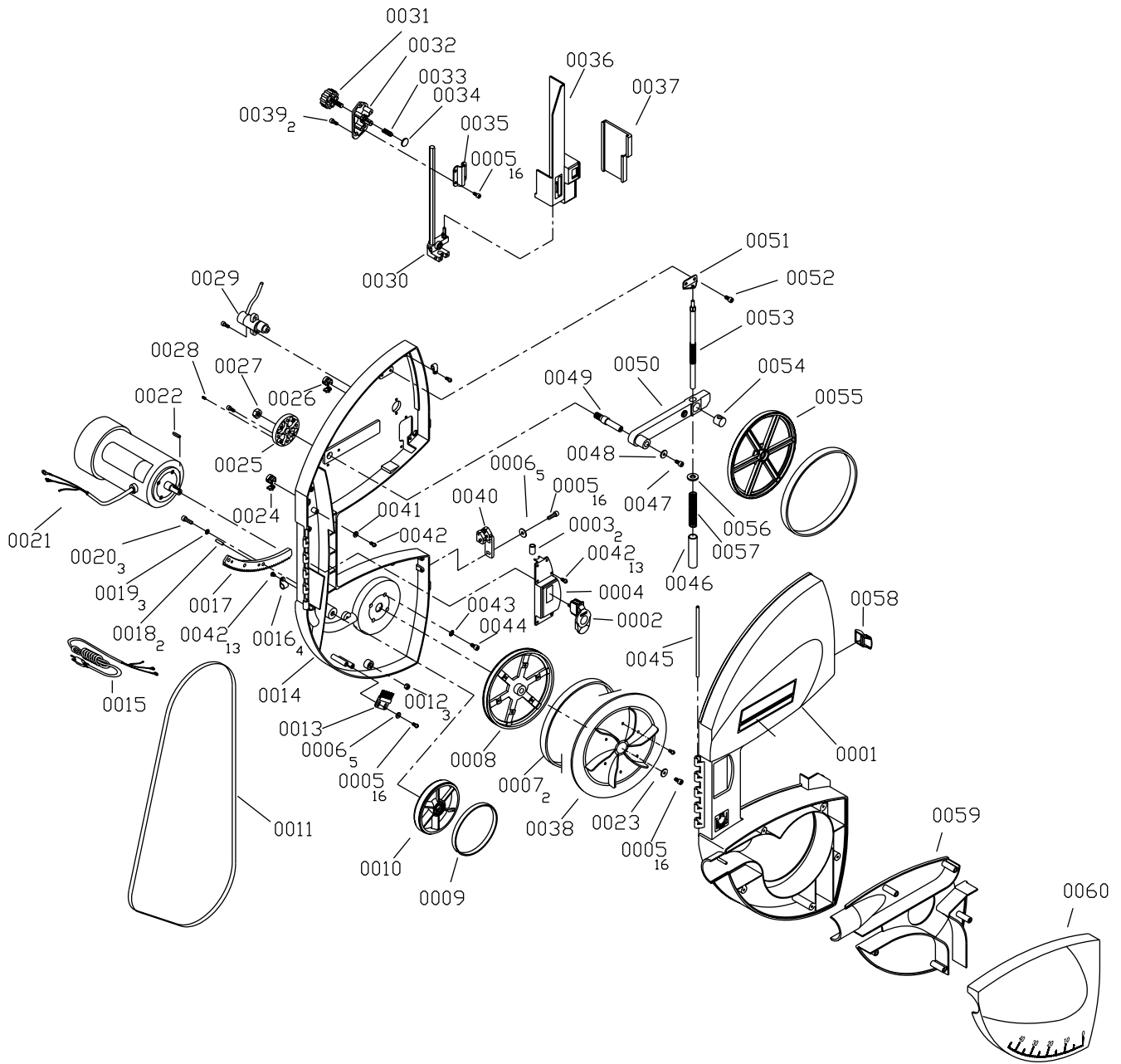


10" BAND SAW

MODEL NO. CB6Y

SCHEMATIC A



PARTS LIST

10" Band Saw

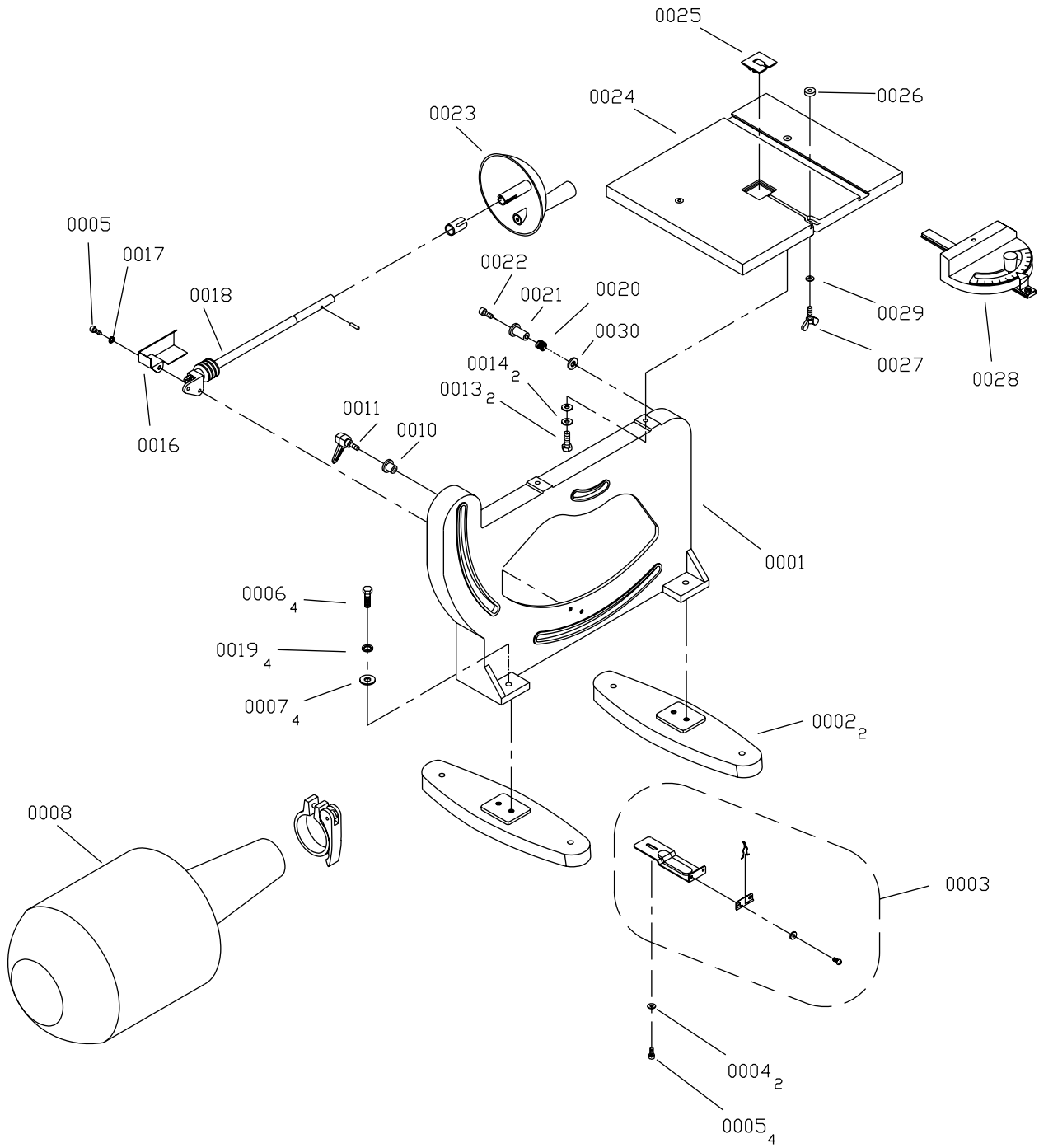
MODEL NO. CB6Y

ALWAYS ORDER BY PART NO. AND I.D. NUMBER.

PARTS LIST FOR SCHEMATIC A

Part No.	I.D.	Description	Size	Qty	Part No.	I.D.	Description	Size	Qty
327499	0001	Door		1	327530	0032	Upper Guide Seat		1
327500	0002	Switch		1	327531	0033	Spring		1
327501	0003	Tube		2	327532	0034	Insert		1
327502	0004	Switch Plate		1	327533	0035	Upper Guide Bracket		1
327503	0005	Hex Hd. Bolt	M5*0.8-12	16	327534	0036	Blade Guard W/Lamp		1
327504	0006	Flat Washer	M5	5	327535	0037	Lamp Cover		1
327505	0007	Wheel Protector		2	327536	0038	Impeller		1
327506	0008	Drive Wheel		1	327537	0039	Soc. Hd. Bolt	M5*0.8-10	2
327507	0009	Idler Wheel Protector		1	327538	0040	Lower Guide Holder Ass'y		1
327508	0010	Idler Wheel Ass'y		1	327539	0041	External Tooth Lock Washer	M5	2
327509	0011	Blade	63-1/2*3/8*0.014	1	327540	0042	Cr. Re. Pan Hd. Screw	M5*0.8-8	13
327510	0012	Hex Nut	M6*1.0	3	327541	0043	Spring Washer	M8	4
327511	0013	Brush		1	327542	0044	Soc. Hd. Bolt	M8*1.25-20	4
327512	0014	Frame		1	327543	0045	Hinge Pivot		1
327513	0015	Power Cord		1	327544	0046	Sleeve		1
327514	0016	Cord Clamp		4	327545	0047	Soc. Hd. Bolt	M6*1.0-10	1
327515	0017	Rack		1	327546	0048	Flat Washer	M6	1
327516	0018	Spring Pin	Ø5 X 14	2	327547	0049	Shaft		1
327517	0019	Spring Washer	M6	3	327548	0050	Link		1
327518	0020	Soc. Hd. Bolt	M6*1.0*16	3	327549	0051	Bracket		1
327519	0021	Motor		1	327550	0052	Soc. Hd. Bolt	M5*0.8-8	2
327520	0022	Flat Key	4*4*20	1	327551	0053	Tension Rod		1
327521	0023	Washer		1	327552	0054	Tension Nut		1
327522	0024	Strain Relief		1	327553	0055	Idler Wheel Ass'y		1
327523	0025	Tracking Plate		1	327554	0056	Flat Washer	M8*23*2	1
327524	0026	Grommet		1	327555	0057	Tension Spring		1
327525	0027	Hex Nut	M12-1.75	1	327556	0058	Latch		2
327526	0028	Set Screw (Headless)	M6*10	4	327557	0059	Dust Chute		1
327527	0029	Cam Ass'y		1	327558	0060	Cover		1
327528	0030	Upper Guide Holder Ass'y		1					
327529	0031	Knob		1					

SCHEMATIC B



PARTS LIST

10" Band Saw

MODEL NO. CB6Y

ALWAYS ORDER BY PART NO. AND I.D. NUMBER

PARTS LIST FOR SCHEMATIC B

Part No.	I.D.	Description	Size	Qty	Part No.	I.D.	Description	Size	Qty
327559	0001	Head Mounting Bracket		1	327574	0016	Worm Cover		1
327560	0002	Base Plate		2	327575	0017	Spring Washer	M5	1
327561	0003	Pointer Ass'y		1	327576	0018	Worm Shaft Ass'y		1
327562	0004	Flat Washer	M5	2	327577	0019	Flat Washer	M8	4
327563	0005	Soc. Hd. Bolt	M5*0.8-12	4	327578	0020	Spring		1
327564	0006	Hex Hd. Bolt	M8*1.25-25	4	327579	0021	Bushing		1
327565	0007	Flat Washer	M8	4	327580	0022	Soc. Hd. Bolt	M5*0.8-10	2
327566	0008	Dust Bag		1	327581	0023	Crank Handle		1
327567	0009	Bag Clamp		1	327582	0024	Table		1
327568	0010	Bushing		1	327583	0025	Table Insert		1
327569	0011	Lock Handle		1	327584	0026	Table Locking Insert		1
327570	0012	Collar		1	327585	0027	Wing Bolt	M6*1.0-20	1
327571	0013	Hex Hd. Bolt	M6*1.0-25	2	327586	0028	Miter Gauge Ass'y		1
327572	0014	Spring Washer	M6	2	327587	0029	Flat Washer	M6*16*1.5	1
327573	0015	Spring Pin	Ø4 X 18	1	327588	0030	Flat Washer	M12	1