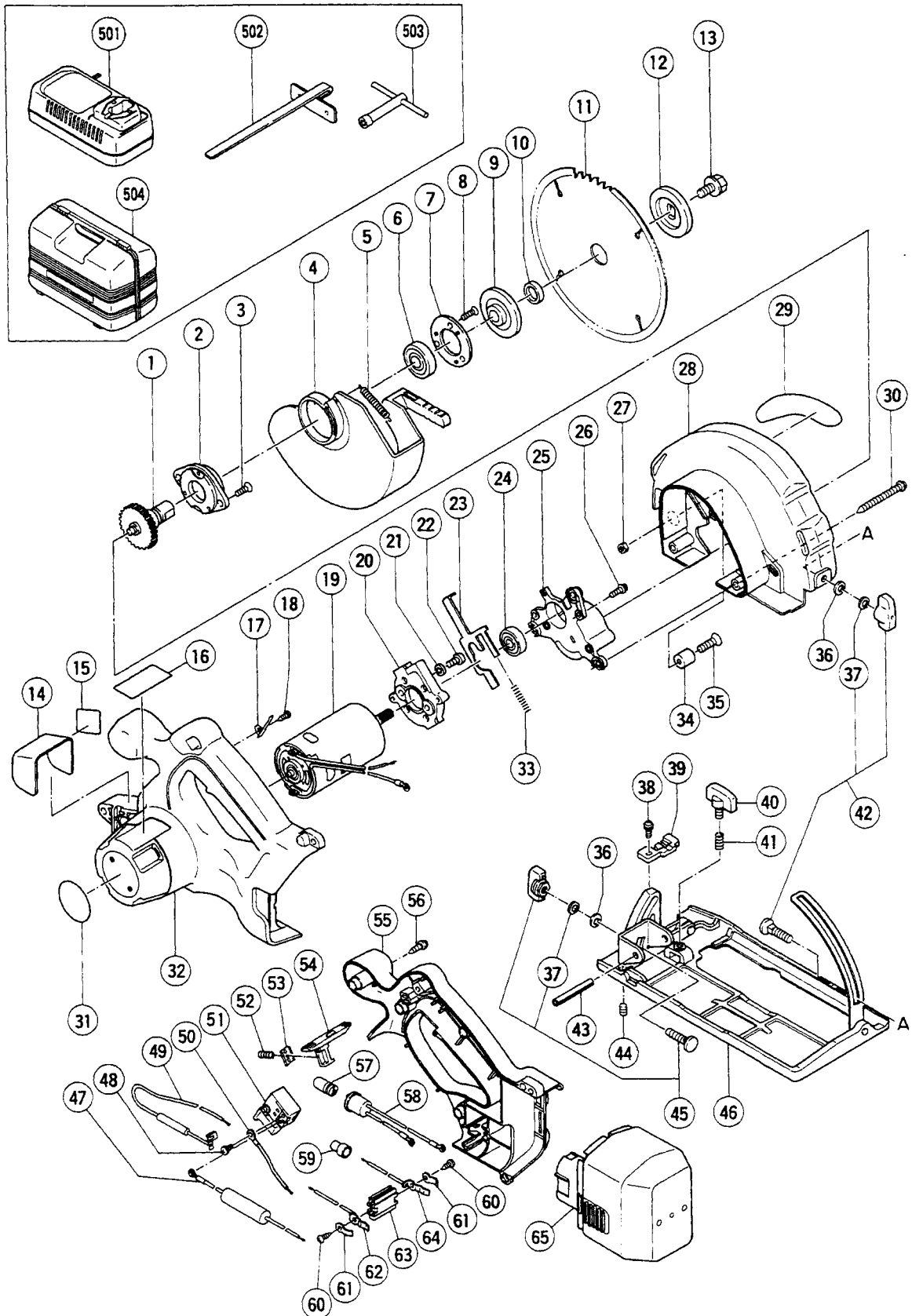


ELECTRIC TOOL PARTS LIST

■ CORDLESS CIRCULAR SAW
Model C 6DC

1998.12.20
(E1)



PARTS

C 6DC

ITEM NO.	CODE NO.	DESCRIPTION	NO. USED	REMARKS
1	317-468	GEAR	1	
2	308-361	BEARING HOLDER	1	
3	305-568	SEAL LOCK FLAT HD. SCREW M5X12	2	
4	317-202	SAFETY COVER	1	
5	317-203	RETURN SPRING	1	
6	600-2VV	BALL BEARING 6002VVCMP2S	1	
7	308-362	BEARING COVER	1	
8	308-773	SEAL LOCK FLAT HD. SCREW M3X12	3	
* 9	317-465	WASHER (A2)	1	
* 9	317-466	WASHER (A1)	1	FOR USA,CAN
* 10	990-100	RING D15.9/I.D14.5	1	FOR USA,CAN
* 11	317-452	TCT SAW BLADE 165MM-D20 HOLE	1	
* 11	317-451	TCT SAW BLADE 165MM-D15.88 HOLE	1	FOR USA,CAN
12	317-467	WASHER (B1)	1	
13	957-749	BOLT (W/WASHER) M7X17.5	1	
14	317-204	LIGHT COVER ASS'Y	1	INCLUD.15
15		LABEL (B)	1	
16		NAME PLATE	1	
17	317-211	TERMINAL (C)	1	
18	958-715	TAPPING SCREW D4X10	1	
19	317-460	MOTOR (B)	1	
20	317-193	INNER COVER (A)	1	
21	949-454	SPRING WASHER M5 (10 PCS.)	2	
22	949-236	MACHINE SCREW M5X10 (10 PCS.)	2	
23	317-194	LOCK LEVER	1	
24	609-VVM	BALL BEARING 609VVMC2PS2S	1	
25	317-195	INNER COVER (B)	1	
26	317-196	NYLOCK BOLT (W/FLANGE) M4X12	2	
27	302-012	NUT M5 (BLACK)	1	
28	317-201	SAW COVER	1	
29		HITACHI LABEL	1	
30	317-449	TAPPING SCREW (W/FLANGE) D5X50	3	
31		LABEL (A)	1	
32	317-462	HOUSING	1	
33	961-803	SPRING	1	
34	310-842	CUSHION	1	
35	949-793	FLAT HD. SCREW M5X20 (10 PCS.)	1	
36	949-425	WASHER M6 (10 PCS.)	2	
37	948-167	SUPER LOCK WASHER M6	2	
38	317-200	MACHINE SCREW (W/WASHERS) M4X8 (BLACK)	1	
39	317-199	GUIDE PIECE	1	
40	307-898	WING BOLT M6X18	1	
41	941-056	SPRING	1	
42	314-620	BOLT ASS'Y (SQUARE) M6X22	1	INCLUD.37
43	949-523	ROLL PIN D6X45 (10 PCS.)	1	
44	308-109	SLOTTED HD. SET SCREW (SEAL LOCK) M6X8	1	
45	314-621	BOLT ASS'Y (SQUARE) M6X20	1	INCLUD.37
46	317-464	BASE ASS'Y	1	INCLUD.36,38-41,44,45
47	317-215	RESISTOR (A)	1	
48	307-887	MACHINE SCREW (W/WASHER) M3.5X6	3	
49	317-459	RESISTOR	1	

* : ALTERNATIVE PARTS

12 - 98

