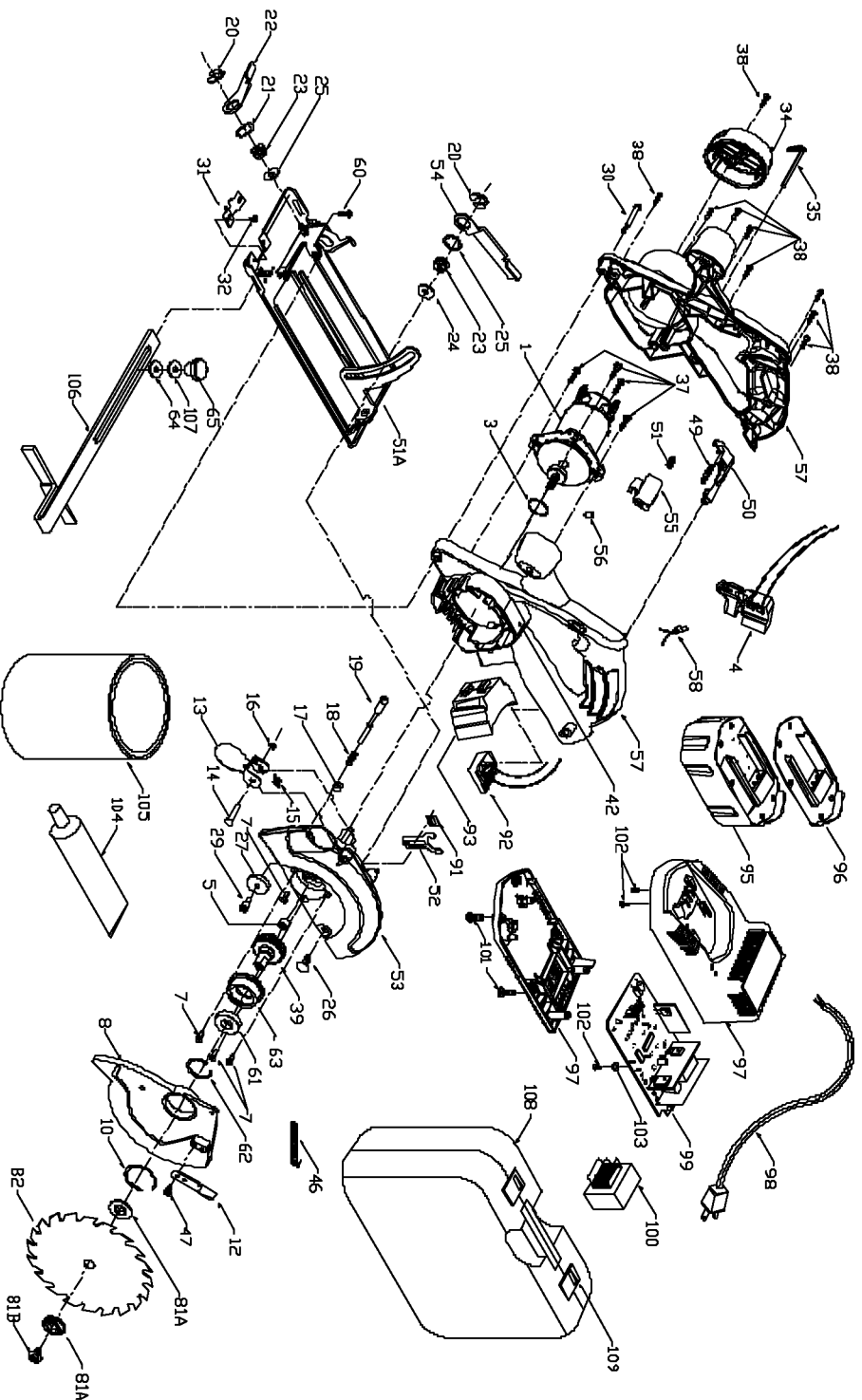


PORTER-CABLE BATTERY SAW

WARNING: Electrical repairs should only be attempted by trained repairmen. Contact the nearest Porter-Cable Service Center or other competent repair center.

844
845



Parts List for 9845 Type 2

Item Number	Part Number	Description	Qty Required
1	906568	MOTOR	1
3	697029	O-RING	1
4	889571	SWITCH	1
5	848131	BEARING	1
7	883486	SCREW	10
8	893558	GUARD	1
10	696667	RETAINING-RING	1
12	696661	LEVER	1
13	891088	EXHAUST COVER	1
14	697382	RIVET	1
15	893314	SPRING	1
16	878877	RETAINER CLIP	1
17	878381	SEAL	1
18	696677	SPRING	1
19	878407	LOCK PIN	1
20	696656	RETAINING-RING	1
21	696668	WASHER	1
22	696669	LEVER	1
23	885516	NUT	1
24	859359	WASHER	1
25	698241	WAVE WASHER	1
26	879525	SCREW	1
27	698367	BUMPER	1
29	879548	SCREW	1
30	893521	BOLT	1
31	696658	GUIDE-PLATE	1
32	696796	SCREW	1

COPYRIGHT© 2005. All Rights Reserved.

Parts list, pricing, and availability subject to change. Please visit www.dewaltservicenet.com for current parts information.

Parts List for 9845 Type 2

Item Number	Part Number	Description	Qty Required
34	889565	CAP	1
35	802876	ALLEN WRENCH	1
37	878813	SCREW	1
38	893792	SCREW	1
39	892072	JACKSHAFT ASSY.	1
42	000000-00	No Longer Available	1
46	894303	SPRING	1
47	882187	SCREW	1
49	891353	SPRING	1
50	891352	RELEASE BUTTON	1
51	892190	SPRING	1
51	893832	BASE ASSY.	1
52	891153	BEARING RETAINER	1
53	889553	GEAR HOUSING	1
54	894302	LEVER	1
55	892078	LOCKOUT BUTTON	1
56	810425	PLUG	1
57	892640	HANDLE SET	1
58	689032	CONNECTOR	1
60	894223	SCREW	1
61	696949SV	BEARING	1
62	872875	RETAINING RING	1
63	889560	JACKSHAFT COVER	1
64	801530	WASHER	1
65	889702	KNOB	1
65	400080600005	KIT	1
81	893683	WASHER	1

COPYRIGHT© 2005. All Rights Reserved.

Parts list, pricing, and availability subject to change. Please visit www.dewaltservicenet.com for current parts information.

Parts List for 9845 Type 2

Item Number	Part Number	Description	Qty Required
81	889562	BLADE SCREW	1
82	000000-00	No Longer Available	1
91	890376	NUT	1
92	894662	CONTACT PLATE	1
95	5140070-56	19.2V BATTERY	1
95	5140070-56	19.2V BATTERY	1
95	5140070-56	19.2V BATTERY	1
96	000000-00	No Longer Available	1
96	901562	BATTERY TOP	1
96	901561	BATTERY TOP	1
97	000000-00	No Longer Available	1
97	894812	HOUSING	1
97	8924	UNIVERSAL CHARGER	1
98	000000-00	No Longer Available	1
98	000000-00	No Longer Available	1
99	897154	CHARGER	1
99	000000-00	No Longer Available	1
99	000000-00	No Longer Available	1
99	8924	UNIVERSAL CHARGER	1
100	894369	TRANSFORMER	1
101	000000-00	No Longer Available	10
102	000000-00	No Longer Available	1
103	895781	WASHER	1
104	878499	TUBE GREASE	1
105	879751	LUBRICANT 4 LBS	1
106	895510	RIP GUIDE	1
107	889465	WASHER	1

COPYRIGHT© 2005. All Rights Reserved.

Parts list, pricing, and availability subject to change. Please visit www.dewaltservicenetwork.com for current parts information.

Parts List for 9845 Type 2

Item Number	Part Number	Description	Qty Required
108	000000-00	No Longer Available	1
108	889575	CARRYING CASE	1
109	887712	LATCH CARRYING CASE	1
109	890390	LATCH	1
856	698460	BASE INSERT ASSY	1
856	8924	UNIVERSAL CHARGER	1
856	400080600005	KIT	1
856	801530	WASHER	1
856	000000-00	No Longer Available	1

COPYRIGHT© 2005. All Rights Reserved.

Parts list, pricing, and availability subject to change. Please visit www.dewaltservicenet.com for current parts information.