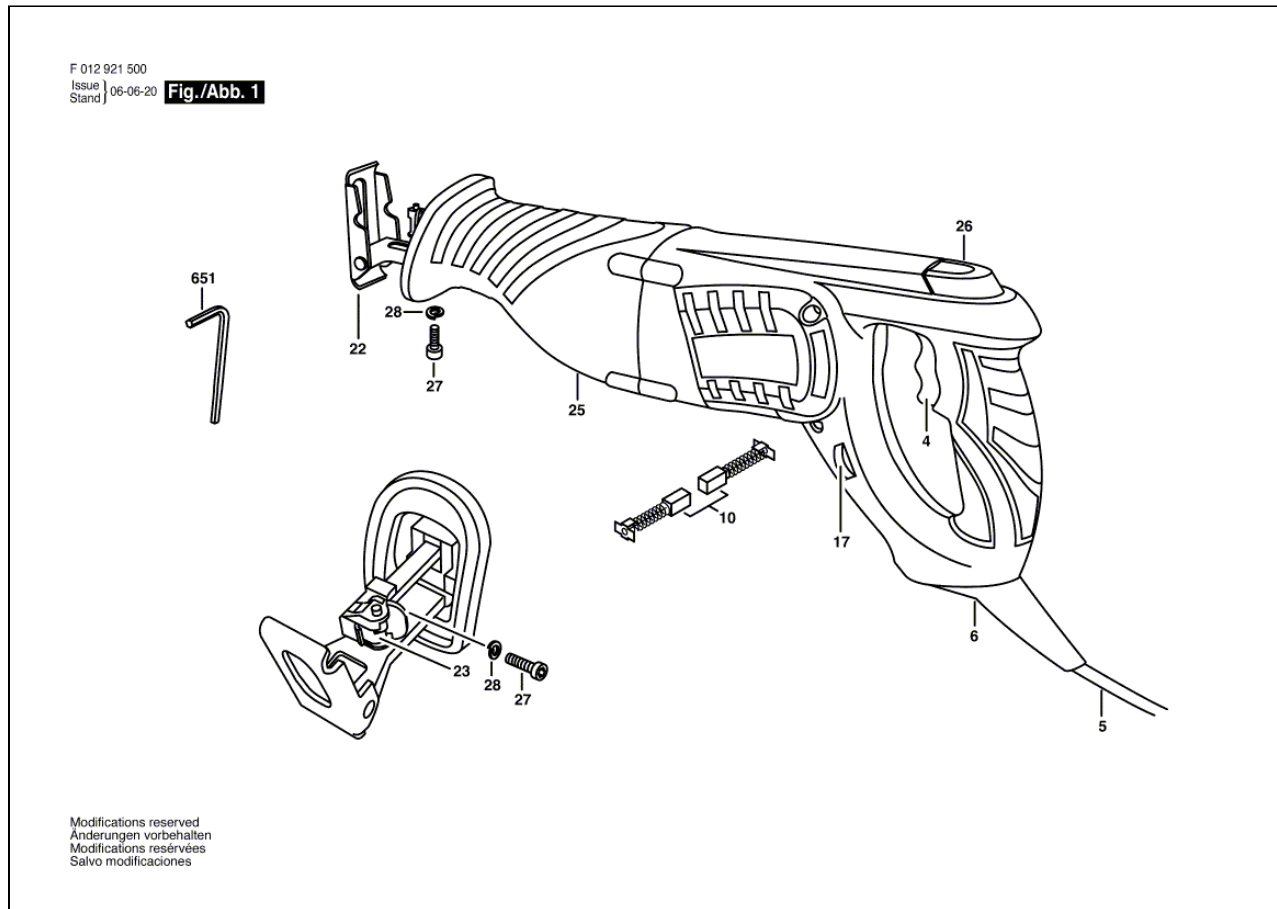


# RECIPROCATING SAW F 012 922 500 9225



19.05.2008 23:06:11



Item	Quantity	Order No.	Designation	Price group	Page
4	1	2 610 938 739	ON-OFF SWITCH	18	1
5	1	2 610 930 930	CORD	18	1
6	1	2 610 930 931	GROMMET	11	1
10	1	2 610 938 744	CARBON-BRUSH SET	17	1
17	1	2 610 938 740	GOVERNOR / 120 V	25	1
22	1	2 610 945 376	SUPPORTING FOOT	17	1
23	1	2 610 938 752	BLADE HOLDER	23	1
25	1	1 619 X02 378	RUBBER	19	1
26	1	2 610 938 719	BLADE RECEPTACLE	14	1
27	3	2 910 145 154	SCREW / DIN 912-M5x12-8.8	12	1
28	3	2 916 683 006	SPRING LOCK WASHER / DIN 127-B 5	12	1
651	1	2 607 950 004	OFFSET SCREWDRIVER / DIN 911-4		1