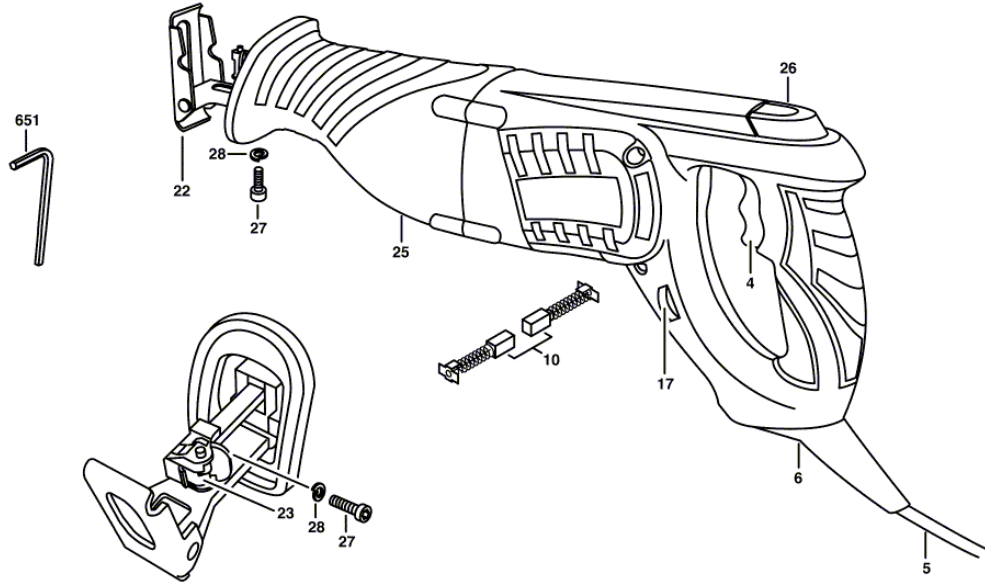




F 012 921 500 RECIPROCATING SAW 9215

21.09.2006
00:03:50

F 012 921 500
Issue | 06-06-20 **Fig./Abb. 1**
Stand |



Modifications reserved
Änderungen vorbehalten
Modifications réservées
Salvo modificaciones

Item	Quantity	Order No.	Designation	Price group	Page
4	1	2 610 938 739	ON-OFF SWITCH		1
5	1	2 610 930 930	CORD		1
6	1	2 610 930 931	GROMMET		1
10	1	2 610 938 744	CARBON-BRUSH SET		1
17	1	2 610 938 740	GOVERNOR \ 120 V		1
22	1	2 610 938 702	BASE		1
23	1	2 610 938 752	BLADE HOLDER		1
25	1	2 610 938 737	RUBBER		1
26	1	2 610 938 719	BLADE RECEPTACLE		1
27	3	2 910 145 154	SCREW \ DIN 912-M5x12-8.8		1
28	3	2 916 683 006	SPRING LOCK WASHER \ DIN 127-B 5		1
651	1	1 907 950 005	OFFSET SCREWDRIVER \ DIN 911, SW4		1

