



SERVICE PARTS LIST

IMPACT WRENCH - 1/2" SQ. DRIVE ANVIL

Catalog No. **9051**

Starting Serial No. **466-1001**

Both Model and Serial No. must be furnished to obtain correct parts.

BUL. 54-26-1300

REVISED BUL DATE Sept. '76

WIRING INSTR. **58-01-0515**

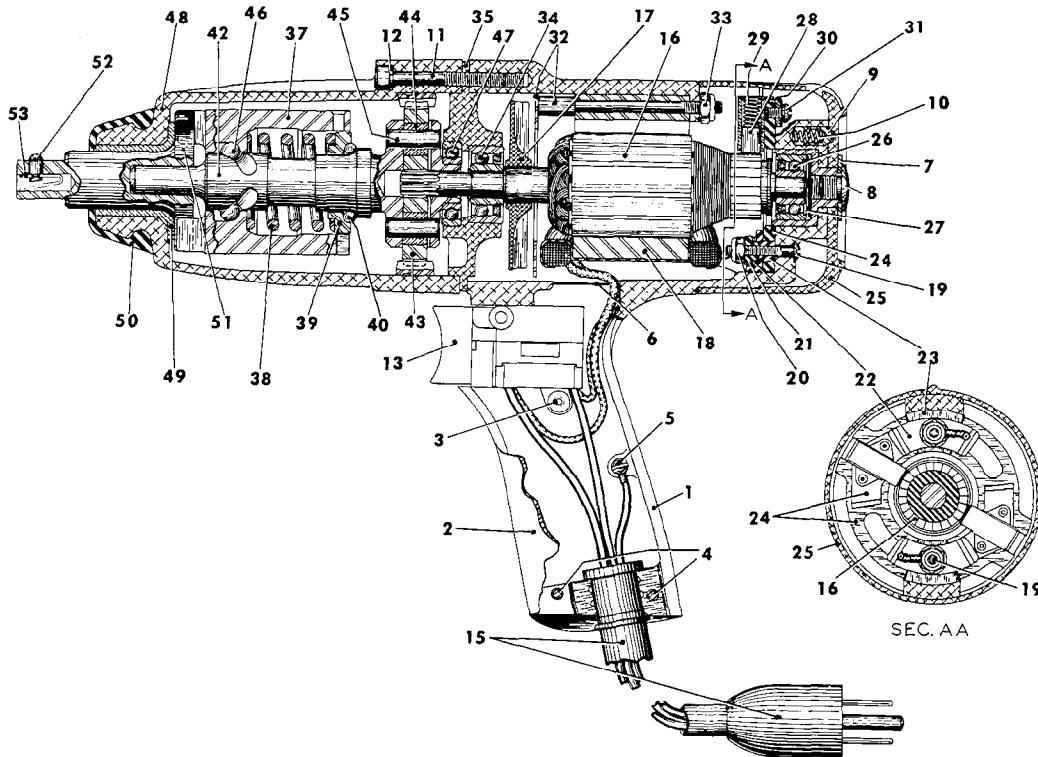


FIG.	PART NO.	DESCRIPTION OF PART	NO. REQ.	FIG.	PART NO.	DESCRIPTION OF PART	NO. REQ.
1	28-50-4060	Motor Housing Assy. (Incl. Fig. Nos. 2 thru 5)	(1)	29	23-52-0170	Brush Spring	(2)
2	28-20-0115	Handle Plate	(1)	30	22-44-0115	Brush Retainer	(2)
3	06-81-6300	8-32x7/8 Fil. Hd. Screw	(1)	31	06-81-8510	5-40x1/4 Rd. Hd. Sem Screw	(2)
4	06-81-6150	8-32x1/2 Fil. Hd. Screw	(2)	32	42-14-0175	Baffle (Incl. Fig. No. 33)	(1)
5	06-81-8625	6-32x 1/4 Ground Screw	(1)	33	06-55-0810	Nut	(2)
6	45-12-0060	Dust Shield	(1)	34	02-04-5011	Ball Bearing	(1)
7	45-88-0467	Washer	(1)	35	28-28-0425	Diaphragm	(1)
8	45-04-0210	Cap Retaining Screw	(1)	36	43-81-0060	Hammer Assy. (Fig. Nos. 37 thru 46)	(1)
9	44-70-0155	Reverse Lock Plunger	(2)	37	43-81-0061	Hammer	(1)
10	40-50-5050	Reverse Lock Plunger Spring	(2)	38	40-50-7575	Hammer Spring	(1)
11	06-75-2120	10-24x1-1/2 Soc. Hd. Screw	(3)	39	42-24-0190	Thrust Bearing Race	(1)
12	06-97-3400	#10 Split Ring Washer	(3)	40	02-80-6000	Thrust Bearing Ball	(18)
13	23-66-0575	Switch	(1)	41	36-10-0810	Planet Gear Frame Assy. (Fig. Nos. 42 thru 45)	(1)
14	23-16-0325	Switch Insulator (Not Shown)	(1)	42	36-10-0801	Planet Gear Frame	(1)
15	22-64-0425	Cord Set	(1)	43	32-62-0061	Planet Gear (Incl. Fig. No. 44)	(2)
16	16-42-1355	Armature (Incl. Fig. No. 17)	(1)	44	42-40-0411	Planet Gear Bushing	(2)
17	22-84-0070	Fan	(1)	45	45-58-0190	Planet Gear Shaft	(2)
18	18-42-1195	Field	(1)	46	02-02-2000	Cam Ball	(2)
19	06-81-4554	6-32x7/8 Rd. Hd. Screw (Incl. Fig. No. 20)	(2)	47	02-04-5012	Gear Frame Thrust Bearing	(1)
20	06-55-0610	Nut	(2)	48	28-14-1305	Gear Case Assy. (Incl. Fig. Nos. 49 & 50)	(1)
21	23-16-0335	Insulating Bushing	(2)	49	42-40-0470	Gear Case Bushing	(1)
22	22-58-0060	Stationary Contact	(2)	50	42-52-0135	Gear Case Shield	(1)
23	45-36-0465	Plate Spacer	(2)	51	42-06-0080	Anvil (Incl. Fig. Nos. 52 & 53)	(1)
24	22-22-0305	Brush Holder Plate	(1)	52	44-70-0140	Ball Type Socket Retaining Plunger	(1)
25	42-52-0140	Reverse Cap with Nameplate	(1)	53	40-50-7550	Retaining Plunger Spring	(1)
26	02-04-0740	Ball Bearing	(1)	54	12-98-0140	Blank Nameplate (Not Shown)	(1)
27	40-50-7685	Rear Armature Bearing Spring	(1)	55	23-16-0695	Brush Insulator (Not Shown)	(2)
28	22-16-0260	Brush	(2)				