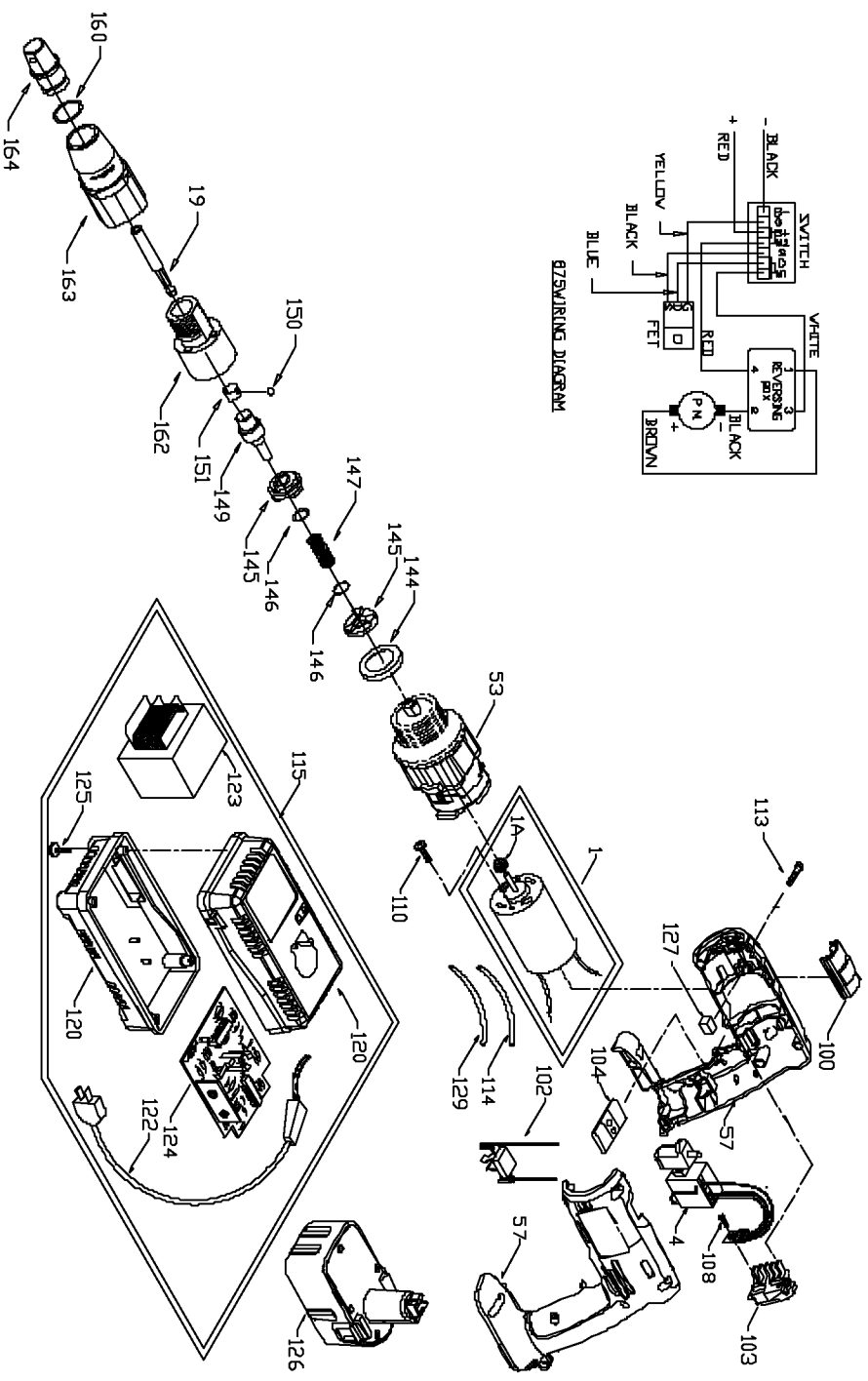
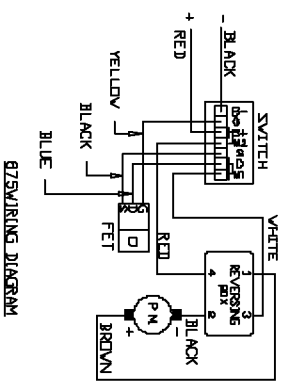


PORTER-CABLE DRYWALL DRIVER

WARNING: Electrical repairs should only be attempted by trained repairmen. Contact the nearest Porter-Cable Service Center or other competent repair center

875



Parts List for 9875 Type 2

Item Number	Part Number	Description	Qty Required
1	000000-00	No Longer Available	1
1	000000-00	No Longer Available	1
4	000000-00	No Longer Available	1
19	879984	BIT HOLDER	1
53	000000-00	No Longer Available	1
57	886848	HANDLE SET	1
100	884360	SPEED SELECTOR	1
102	884324	CONTACT/LEAD ASSY	1
103	000000-00	No Longer Available	1
104	884403	FORWARD/REV SELECTOR	1
108	858008	SCREW	10
110	889199	SCREW-CHEESE HD	10
113	888993	SCREW	10
114	886997	INSULATOR TUBE 120V	1
115	000000-00	No Longer Available	1
115	000000-00	No Longer Available	1
120	000000-00	No Longer Available	1
120	887792	HOUSING SET 230V	1
122	000000-00	No Longer Available	1
122	000000-00	No Longer Available	1
123	8924	UNIVERSAL CHARGER	1
123	000000-00	No Longer Available	1
124	000000-00	No Longer Available	1
125	694015	SCREW	10
126	000000-00	No Longer Available	1
127	000000-00	No Longer Available	1
129	886630	INSULATOR TUBE 120V	1

COPYRIGHT© 2005. All Rights Reserved.

Parts list, pricing, and availability subject to change. Please visit www.dewaltservicenet.com for current parts information.

Parts List for 9875 Type 2

Item Number	Part Number	Description	Qty Required
144	000000-00	No Longer Available	1
145	000000-00	No Longer Available	1
146	853644	RING	10
147	890471	SPRING	10
149	878495	WORK SPINDLE	1
150	844318	BALL	1
151	854346	RETAINER	10
160	878486	O RING	10
162	878964	CLUTCH HOUSING ASSY	1
162	878488	BUSHING	1
162	890472	SEAL	1
163	000000-00	No Longer Available	1
164	890482	NOSE PIECE	1
165	000000-00	No Longer Available	1

COPYRIGHT© 2005. All Rights Reserved.

Parts list, pricing, and availability subject to change. Please visit www.dewaltservicenet.com for current parts information.