

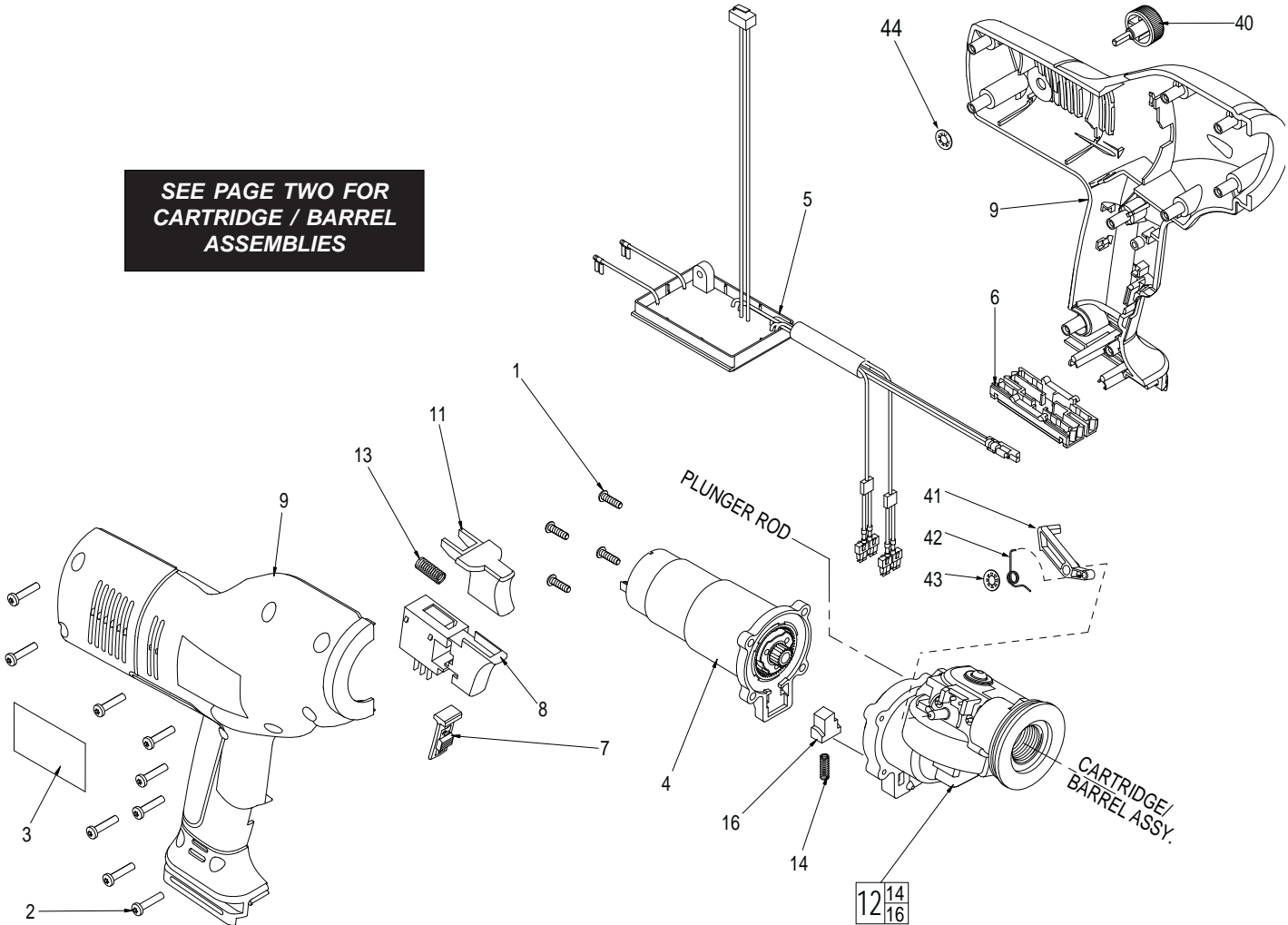


SERVICE PARTS LIST

BULLETIN NO.
55-06-1485

SPECIFY CATALOG NO. AND SERIAL NO. WHEN ORDERING PARTS		REVISED BULLETIN	DATE
14.4 V CORDLESS CAULK GUN			Jan. 2010
CATALOG NUMBER	6562-51 (PCG 14,4)	SERIAL NUMBER	A63A
EXAMPLE: 00 0 Component Parts (Small #) Are Included When Ordering The Assembly (Large #).		PRODUCT NUMBER	4000 3908 58
		WIRING INSTRUCTION SEE PAGE 3	

**SEE PAGE TWO FOR
CARTRIDGE / BARREL
ASSEMBLIES**



MODEL NO. 6562-51 TOOL ONLY

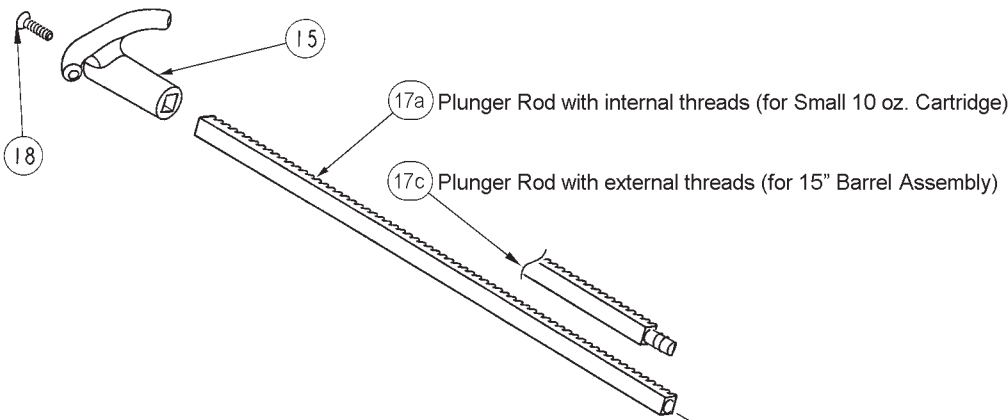
FIG.	PART NO.	DESCRIPTION OF PART	QTY.
1	06-82-2625	Screw	(4)
2	06-82-7470	Screw	(9)
3	12-20-3475	Service Nameplate Kit	(1)
4	14-50-0750	Motor / Gearcase Assembly	(1)
5	22-09-1682	P.C. Board Kit	(1)
6	22-56-0195	Connector Block	(1)
7	23-66-2230	Lock Switch	(1)
8	23-66-2390	Switch	(1)
9	31-50-1825	Housing Kit	(1)
11	31-92-0340	Clutch Release Trigger	(1)
12	32-48-0095	Output Gearcase Assembly	(1)
13	40-50-0990	Trigger Spring	(1)
14	40-50-3930	Lever Spring	(1)
16	44-10-0500	Clutch Release Lever	(1)
40	43-98-0645	Speed Control Dial	(1)
41	44-10-0470	Limit Switch Lever	(1)
42	40-50-8930	Spring	(1)
43	42-70-0450	Clip	(1)
44	42-70-0900	Clip	(1)

Inserting the Plunger Rod

Always lock the trigger or remove the battery pack before inserting the plunger rod. Do not run the tool to pull the plunger rod through the tool, this will damage the tool and rod. Manually push the plunger rod through the tool, as follows:

1. Press in and hold rod release trigger.
2. Grasp the plunger rod handle. The teeth on the plunger rod should point toward the left and slightly down.
3. Insert the plunger rod from the rear of the tool. It may be necessary to wiggle the plunger rod slightly while pushing it through the tool.

NOTE: Keep the plunger rod clean. Retracting or inserting a plunger that is covered with material may damage the internal parts of the tool.

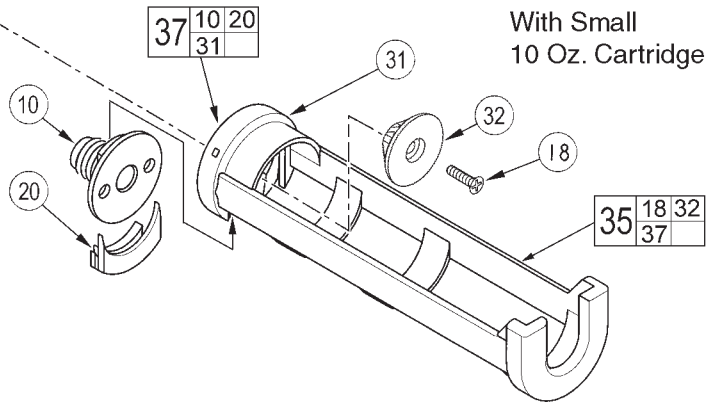


TOOL MODELS SHOWN BELOW ALSO INCLUDE COMPONENTS LISTED ON THE FRONT COVER

MODEL NO. 6562-50 TOOL with SMALL 10 OZ. CARTRIDGE

FIG.	PART NO.	DESCRIPTION OF PART	QTY.
10	45-04-0715	Frame Mounting Screw	(1)
15	31-44-1025	Plunger Rod Hook	(1)
17a	49-52-0600	Plunger Rod	(1)
18	45-04-0661	Screw-Plunger Rod	(2)
20	31-12-0275	Frame Cap	(1)
31	31-01-1700	Frame	(1)
32	44-70-0630	Plunger	(1)
35	48-08-1075	Small Cartridge Assembly	(1)
37	31-01-1705	Cartridge Frame Assembly	(1)
38	49-96-4670	Wrench (Not Shown)	(1)

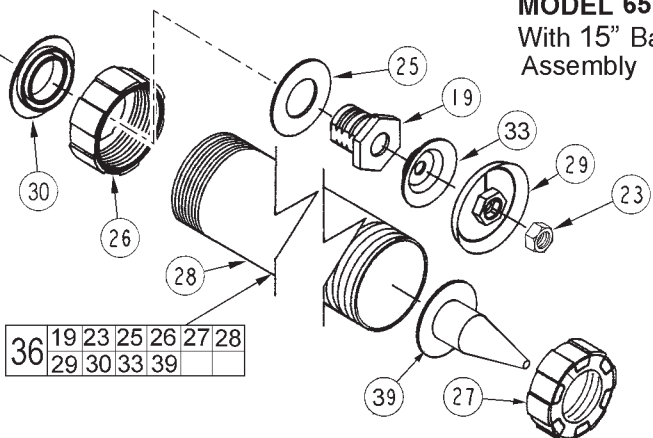
MODEL 6562-50 With Small 10 Oz. Cartridge

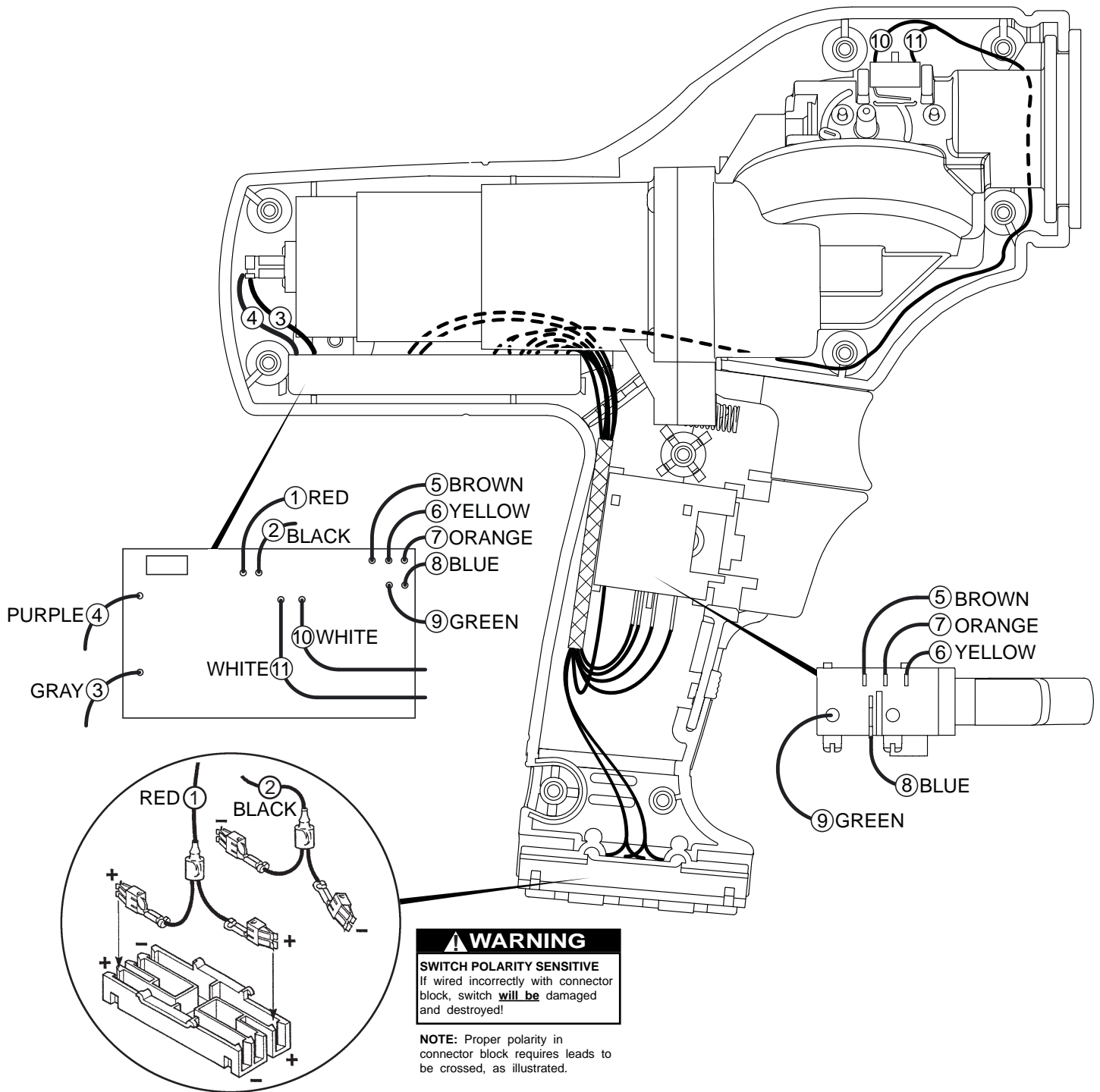


MODEL NO. 6562-54 TOOL with 15" BARREL ASSEMBLY

FIG.	PART NO.	DESCRIPTION OF PART	QTY.
15	31-44-1025	Plunger Rod Hook	(1)
17c	49-52-0660	Plunger Rod	(1)
18	45-04-0661	Screw-Plunger Rod	(1)
19	45-04-0705	Barrel Screw	(1)
23	06-55-2457	Retaining Nut	(1)
25	45-88-0595	Washer	(1)
26	42-52-1005	Cap Mount	(1)
27	42-52-1000	Nozzle Cap	(1)
28	30-06-0010	Barrel	(1)
29	44-70-0040	Plunger-Plastic	(1)
30	31-86-0220	Washer-Grey	(1)
33	44-70-0300	Steel Plunger	(1)
36	48-08-1090	Barrel Assembly	(1)
38	49-96-4670	Wrench (Not Shown)	(1)
39	45-76-0525	Yellow Nozzle (Qty. 2 supplied with 36)	(1)

MODEL 6562-54 With 15" Barrel Assembly





WIRING SPECIFICATIONS

Wire No.	Wire Color	Origin or Part No.	Gauge	Length	Terminals, Connectors and End Wire Preparation
1	Red	*	20	8.75	* Component of the circuit board assembly.
2	Black	*	20	8.75	* Component of the circuit board assembly.
3	Gray	*	20	1.80	* Component of the circuit board assembly.
4	Purple	*	20	1.80	* Component of the circuit board assembly.
5	Brown	*	20	7.00	* Component of the circuit board assembly.
6	Yellow	*	20	7.00	* Component of the circuit board assembly.
7	Orange	*	20	7.00	* Component of the circuit board assembly.
8	Blue	*	20	7.00	* Component of the circuit board assembly.
9	Green	*	20	7.00	* Component of the circuit board assembly.
10	White	*	20	10.75	* Component of the circuit board assembly.
11	White	*	20	10.75	* Component of the circuit board assembly.

BULK LEAD WIRE - BULLETIN 58-01-0003

NOTE:

All lead lengths are before stripping. All leads must be held to $\pm .125"$ unless specified elsewhere. Strip wire per ES 13-11. Crimp terminals per ES 13-15.

TERMINAL DESCRIPTION

Code	Part No.	Qty.