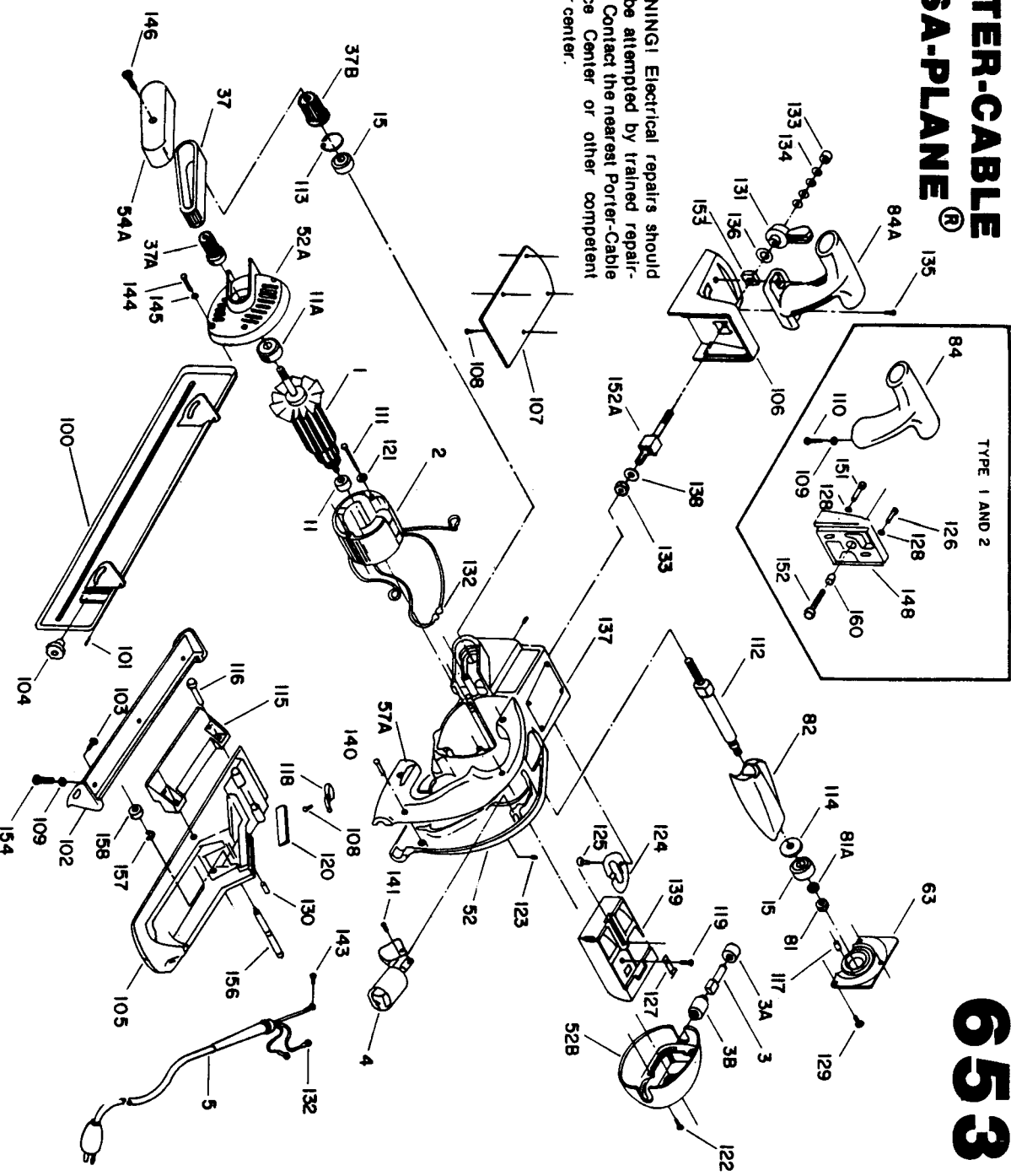


PORTER-CABLE VERSA-PLANE®

653

WARNING! Electrical repairs should only be attempted by trained repairmen. Contact the nearest Porter-Cable Service Center or other competent repair center.



Parts List for J-653 Type 2

| Item Number | Part Number | Description | Qty Required |
|-------------|-------------|---------------------|--------------|
| 1 | 860999 | ARMATURE 115V | 1 |
| 1 | 000000-00 | No Longer Available | 1 |
| 1 | 000000-00 | No Longer Available | 1 |
| 2 | 861000 | FIELD 115V | 1 |
| 2 | 000000-00 | No Longer Available | 1 |
| 2 | 803104 | LEAD | 1 |
| 3 | 000000-00 | No Longer Available | 2 |
| 3 | 803483 | BRUSH CAP | 2 |
| 3 | 000000-00 | No Longer Available | 1 |
| 4 | 843156 | SWITCH | 1 |
| 5 | 875863 | CORD | 1 |
| 5 | 000000-00 | No Longer Available | 1 |
| 11 | 855284 | BEARING | 3 |
| 11 | 804218SV | BEARING | 3 |
| 15 | 803876SV | BEARING | 3 |
| 37 | 848023 | BELT | 1 |
| 37 | 810279 | PULLEY | 1 |
| 37 | 000000-00 | No Longer Available | 1 |
| 52 | 000000-00 | No Longer Available | 1 |
| 52 | 000000-00 | No Longer Available | 1 |
| 52 | 000000-00 | No Longer Available | 1 |
| 54 | 848076 | COVER | 1 |
| 57 | 000000-00 | No Longer Available | 1 |
| 63 | 000000-00 | No Longer Available | 1 |
| 81 | 801372 | NUT | 10 |
| 81 | 861720 | WASHER | 10 |
| 82 | 000000-00 | No Longer Available | 1 |

COPYRIGHT© 2005. All Rights Reserved.

Parts list, pricing, and availability subject to change. Please visit www.dewaltservicenet.com for current parts information.

Parts List for J-653 Type 2

| Item Number | Part Number | Description | Qty Required |
|-------------|-------------|---------------------|--------------|
| 84 | 000000-00 | No Longer Available | 1 |
| 85 | 848517 | FENCE | 1 |
| 100 | 848036 | FENCE | 1 |
| 101 | 840109 | PIN | 10 |
| 102 | 000000-00 | No Longer Available | 1 |
| 103 | 802678 | BOLT | 10 |
| 104 | 000000-00 | No Longer Available | 1 |
| 105 | 000000-00 | No Longer Available | 1 |
| 105 | 000000-00 | No Longer Available | 1 |
| 105 | 852422 | PLATE | 1 |
| 105 | 000000-00 | No Longer Available | 1 |
| 105 | 000000-00 | No Longer Available | 1 |
| 105 | 000000-00 | No Longer Available | 1 |
| 106 | 000000-00 | No Longer Available | 1 |
| 107 | 000000-00 | No Longer Available | 1 |
| 109 | 822133 | LOCK WASHER | 10 |
| 110 | 838733 | SCREW | 10 |
| 111 | 000000-00 | No Longer Available | 1 |
| 112 | 000000-00 | No Longer Available | 1 |
| 113 | 802942 | RING | 10 |
| 114 | 000000-00 | No Longer Available | 10 |
| 115 | 848020 | BRKT | 1 |
| 116 | 803403 | SCREW | 10 |
| 117 | 842597 | PLUG | 1 |
| 121 | 802430 | LOCKWASHER | 10 |
| 122 | 848148 | SCREW | 10 |
| 123 | 804360 | SCREW | 10 |

COPYRIGHT© 2005. All Rights Reserved.

Parts list, pricing, and availability subject to change. Please visit www.dewaltservicenet.com for current parts information.

Parts List for J-653 Type 2

| Item Number | Part Number | Description | Qty Required |
|-------------|-------------|---------------------|--------------|
| 124 | 000000-00 | No Longer Available | 1 |
| 125 | 000000-00 | No Longer Available | 1 |
| 126 | 852428 | SCREW | 10 |
| 128 | 000000-00 | No Longer Available | 1 |
| 129 | 883485 | SCREW | 10 |
| 131 | 000000-00 | No Longer Available | 1 |
| 132 | 000000-00 | No Longer Available | 1 |
| 133 | 802315 | NUT | 10 |
| 134 | 000000-00 | No Longer Available | 10 |
| 136 | 802223 | WASHER | 10 |
| 137 | 801374 | SCREW | 10 |
| 139 | 000000-00 | No Longer Available | 1 |
| 140 | 878813 | SCREW | 10 |
| 141 | 860715 | SCREW | 10 |
| 143 | 844107 | SCREW | 10 |
| 144 | 841644 | SCREW | 10 |
| 145 | 802648 | WASHER | 10 |
| 146 | 865643 | SCREW | 10 |
| 148 | 000000-00 | No Longer Available | 1 |
| 151 | 000000-00 | No Longer Available | 1 |
| 152 | 000000-00 | No Longer Available | 1 |
| 153 | 800886 | BLOCK | 1 |
| 154 | 000000-00 | No Longer Available | 10 |
| 160 | 000000-00 | No Longer Available | 10 |
| 161 | 692900 | WRENCH | 1 |
| 861 | 000000-00 | No Longer Available | 1 |

COPYRIGHT© 2005. All Rights Reserved.

Parts list, pricing, and availability subject to change. Please visit www.dewaltservicenet.com for current parts information.