



SERVICE PARTS LIST

BUL. 54-40-4253

TWO SPEED SAWZALL

REVISED BUL. 54-40-4252 DATE Nov. '78

Catalog No. 6511

Starting 460-244899 THRU
Serial No. 460-246187

**WIRING INSTRUCTIONS
58-01-0245**

Specify Catalog and Serial No. when ordering parts

FOR CAT. NO. 6511-2 (240V) TOOL USE:

- 22-16-0255 CARBON BRUSH
- 16-36-0400 ARMATURE
- 22-64-4100 CORD SET
- 18-36-0200 FIELD
- 23-38-2795 DIODE

4 AMPS

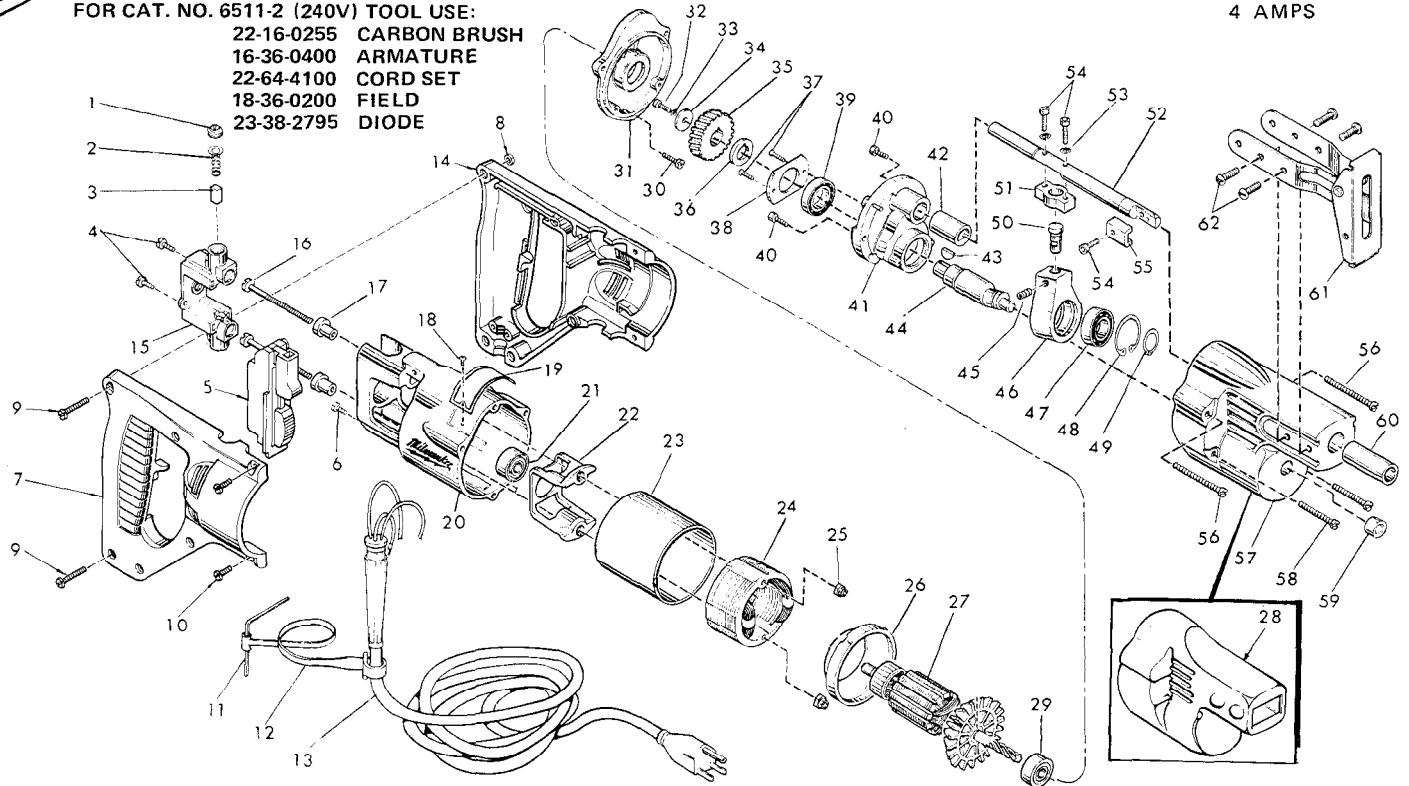


FIG.	PART NO.	DESCRIPTION OF PART	NO. REQ.	FIG.	PART NO.	DESCRIPTION OF PART	NO. REQ.
	1	Brush Retaining Screw	(2)	33	06-97-3400	Lock Washer	(1)
	2	Brush Spring	(2)	34	45-88-0180	Retaining Washer	(1)
	3	Carbon Brush	(2)	35	32-40-1101	Intermediate Gear	(1)
	4	6-32x3/8 Binding Hd. Sem	(2)	36	45-36-0121	Gear Spacer	(1)
★	5	23-66-1040	(1)	37	06-81-2502	6-32x3/8 Flat Hd. Screw	(2)
	6	06-81-8625	(1)	38	44-86-0090	Bearing Retainer	(1)
★	7	31-44-0565	(1)	39	02-04-1510	Ball Bearing	(1)
★	8	06-55-0825	(5)	40	06-81-6152	8-32x1/2 Fil. Hd. Sem	(2)
	9	06-81-0472	(5)	41	28-72-1001	Bearing Plate	(1)
	10	06-81-0047	(4)	42	42-24-0101	Spindle Bearing	(1)
	11	49-96-0070	(1)	43	06-42-1200	Woodruff Key	(1)
	12	48-66-4080	(1)	44	36-92-0601	Wobble Shaft	(1)
★	13	22-64-0405	(1)	45	06-83-2650	1/4-20x3/8 Set Screw	(1)
★	14	31-44-0575	(1)	46	28-72-9001	Wobble Plate (Incls. Fig. No. 45)	(1)
★	15	22-22-0302	(2)	47	02-04-1510	Ball Bearing	(1)
	16	06-81-1055	(2)	48	34-80-2355	Retaining Ring	(1)
	17	31-86-0120	(2)	49	34-60-1200	Retaining Ring	(1)
	18	06-85-0200	(2)	50	45-58-0050	Ball End Stud	(1)
	19	12-99-0031	(1)	51	30-10-1010	Spindle Block	(1)
	20	28-50-6147	(1)	52	38-50-2002	Spindle	(1)
	21	02-04-0891	(1)	53	06-97-3400	Lock Washer	(2)
	22	31-55-0030	(1)	54	06-75-2400	10-32x1/2 Skt. Hd. Screw	(3)
	23	23-16-0456	(1)	55	42-68-0073	Blade Clamp	(1)
★	24	18-30-0300	(1)	56	06-81-6707	8-32x1-7/8 Fil. Hd. Sem	(2)
	25	06-57-2975	(2)	57	28-14-0571	Gear Case	(1)
	26	31-05-0050	(1)	58	06-81-6502	8-32x1-3/8 Fil. Hd. Sem	(2)
	27	16-30-0400	(1)	59	02-50-1640	Needle Bearing	(1)
	28	45-12-0300	(1)	60	42-24-0091	Spindle Bearing	(1)
	29	02-04-0940	(1)	61	45-16-0055	Pivot Shoe Assembly	(1)
	30	06-81-6202	(1)	62	06-81-5692	10-24x1/2 Pan Head Sem	(4)
	31	28-28-0342	(1)	★ 63	23-38-2790	Diode For Switch (Not Shown)	(1)
	32	06-75-2400	(1)	64	12-98-7081	Caution Plate (Not Shown)	(1)