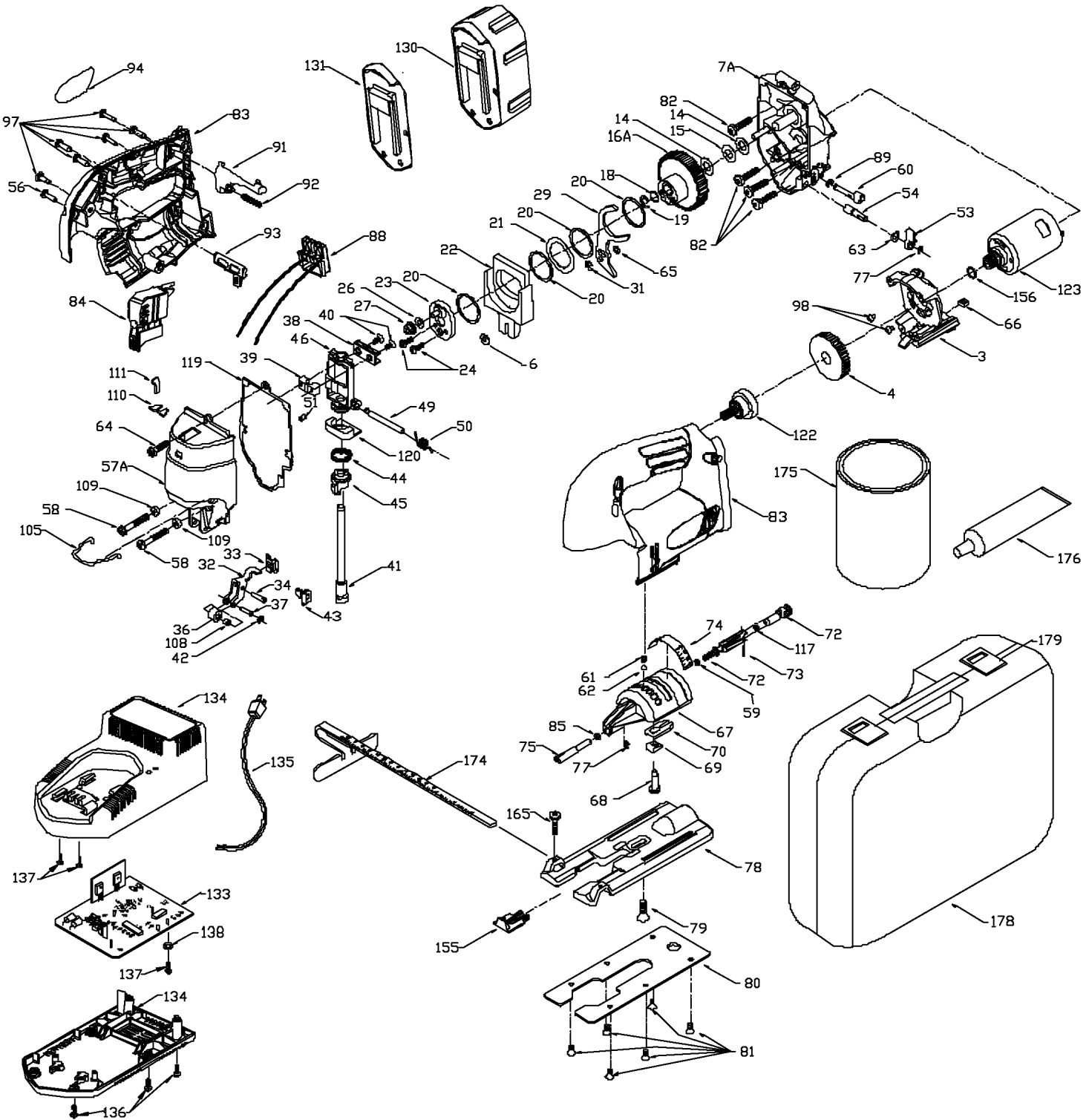


# PORTER-CABLE

## 19.2V BATTERY JIG SAW

WARNING: Electrical repairs should only be attempted by trained repairmen. Contact the nearest Porter-Cable Service Center or other competent repair center.

643



## Parts List for 643 Type 2

Item Number	Part Number	Description	Qty Required
3	000000-00	No Longer Available	1
4	901088	FAN	1
6	891164	WASHER	1
7	901569	GEAR HOUSING	1
14	851584	WASHER	10
15	000000-00	No Longer Available	10
16	890850	GEAR	1
18	873567	WASHER	10
19	697499	RETAINING RING	1
20	887795	WASHER	10
21	872802	SPRING WASHER	10
22	000000-00	No Longer Available	1
23	890847	CRANK BLOCK	1
24	892171	SCREW	10
26	858792	WASHER	10
27	895606	CRANK ROLLER	1
29	000000-00	No Longer Available	1
31	697500	RETAINING RING	1
32	900986	SUPPORT ARM	1
33	895996	SEAL	1
34	887864	PIN	1
36	886728	ROLLER	1
37	890837	PIN	1
38	886730	DRIVE BRACKET	1
39	892773	DRIVE CLAMP	1
40	887796	SCREW	10
41	896923	BLADE HOLDER SHAFT	1

COPYRIGHT© 2005. All Rights Reserved.

Parts list, pricing, and availability subject to change. Please visit [www.dewaltservicenet.com](http://www.dewaltservicenet.com) for current parts information.

## Parts List for 643 Type 2

Item Number	Part Number	Description	Qty Required
42	890836	E-RING	1
43	886736	JAW-BLADE CLAMP	1
44	886737	SPRING	1
45	886738	COLLAR	1
46	890851	BEARING HOLDER ASSY.	1
49	888976	SHAFT	1
50	889683	SPRING	1
51	802388	SCREW	10
53	886742	KNOB	1
54	896805	SHAFT	1
56	886538	SCREW	10
57	892996	GEAR HOUSING COVER	1
58	886748	SCREW	10
59	892550	O-RING	1
60	000000-00	No Longer Available	1
60	A03775	KNOB	1
61	872721	SPRING	1
62	852483	BALL	1
63	889265	SPRING WASHER	1
64	890753	SCREW	10
65	863703	WASHER	10
66	894933	NUT	1
67	886755	PIVOT BASE	1
68	000000-00	No Longer Available	10
69	886758	SLIDE	1
70	893948	SLIDE	1
72	893386	ADJUSTING SHAFT ASSY	1

COPYRIGHT© 2005. All Rights Reserved.

Parts list, pricing, and availability subject to change. Please visit [www.dewaltservicenet.com](http://www.dewaltservicenet.com) for current parts information.

## Parts List for 643 Type 2

Item Number	Part Number	Description	Qty Required
73	889667	ROLL PIN	1
74	891232	ANGLE LABEL	1
75	895607	BLADE GUIDE	1
77	697388	RETAINING RING	1
78	892884	BASE	1
79	887866	SCREW	10
80	000000-00	No Longer Available	1
80	886767	SUB BASE	1
81	887799	SCREW	10
82	900826	SCREW	10
83	901574	HOUSING SET	1
84	890316	SWITCH	1
85	885348	O-RING	1
88	000000-00	No Longer Available	1
89	890041	RING-RTNG EXTL	1
91	891352	RELEASE BUTTON	1
92	891353	SPRING	1
93	901107	LOCKOUT BUTTON	1
94	000000-00	No Longer Available	1
97	879678	SCREW	10
98	897120	SCREW	10
105	000000-00	No Longer Available	1
108	330004-34	BALL BEARING	1
109	891782	WASHER	2
110	891891	SEAL	1
111	891892	SEAL	1
117	893098	O-RING	1

COPYRIGHT© 2005. All Rights Reserved.

Parts list, pricing, and availability subject to change. Please visit [www.dewaltservicenet.com](http://www.dewaltservicenet.com) for current parts information.

## Parts List for 643 Type 2

Item Number	Part Number	Description	Qty Required
119	892462	GASKET	1
120	896804	SEAL	1
122	901570	PINION	1
123	901572	MOTOR	1
130	5140070-56	19.2V BATTERY	1
130	5140070-56	19.2V BATTERY	1
130	5140070-56	19.2V BATTERY	1
131	000000-00	No Longer Available	1
131	8924	UNIVERSAL CHARGER	1
131	901562	BATTERY TOP	1
133	8924	UNIVERSAL CHARGER	1
134	8924	UNIVERSAL CHARGER	1
135	000000-00	No Longer Available	1
136	000000-00	No Longer Available	10
137	000000-00	No Longer Available	1
138	895781	WASHER	10
155	895608	ANTI-SPLINTER DEVICE	1
156	904622	O-RING SPECIAL	1
165	839845	SCREW	10
174	000000-00	No Longer Available	1
175	875667	LUBRICANT-4LBS	1
176	875914	TUBE GREASE	1
178	000000-00	No Longer Available	1
179	887712	LATCH CARRYING CASE	1

COPYRIGHT© 2005. All Rights Reserved.

Parts list, pricing, and availability subject to change. Please visit [www.dewaltservicenet.com](http://www.dewaltservicenet.com) for current parts information.