



SERVICE PARTS LIST

BUL. 54-40-2525

16" or 20" CHAIN SAW

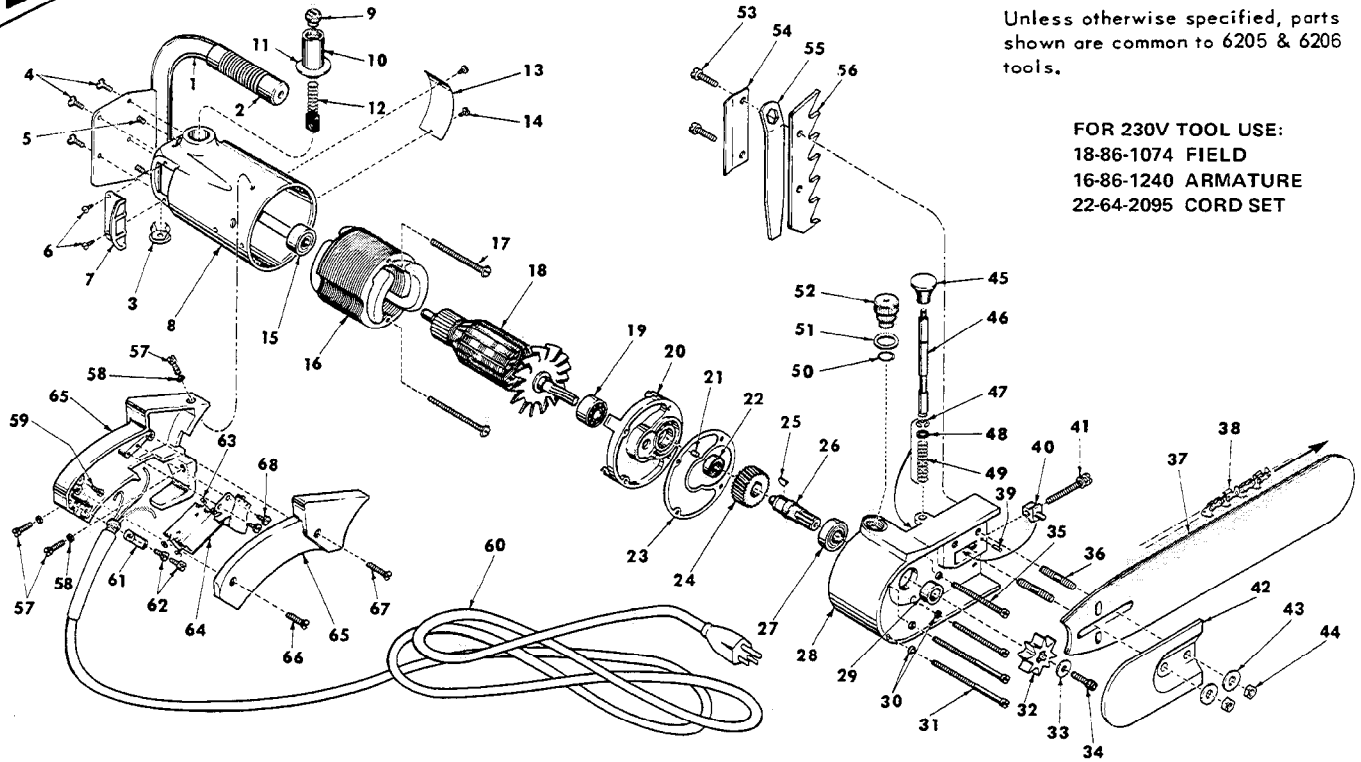
REVISED BUL. DATE
Mar. '74

Catalog No. 6205
6206

Starting Serial No. 478-1001

WIRING INSTRUCTIONS
58-01-0320

Specify Catalog and Serial No. when ordering parts



Unless otherwise specified, parts shown are common to 6205 & 6206 tools.

FOR 230V TOOL USE:
18-86-1074 FIELD
16-86-1240 ARMATURE
22-64-2095 CORD SET

FIG.	PART NO.	DESCRIPTION OF PART	NO. REQ.	FIG.	PART NO.	DESCRIPTION OF PART	NO. REQ.
1	43-62-0170	Handle Assy. (Includes Figs. 2 & 3)	1	37	48-09-5016	16 Inch Guide Bar (For Cat. #6205 Only)	1
2	43-62-0242	Handle Grip	1		48-09-5020	20 Inch Guide Bar (For Cat. #6206 Only)	1
3	42-42-0100	Push Plug	1	38	48-58-0016	16 Inch Chipper Chain (For Cat. #6205 Only)	1
4	06-81-3625	12-28x1/2 Oval Hd. Screw	4		48-58-0020	20 Inch Chipper Chain (For Cat. #6206 Only)	1
5	06-83-2725	1/4-28x3/8 Set Screw	2	39	06-65-0830	1/8x1/2 Groove Pin	1
6	06-81-8650	6-32x1/4 Rd. Hd. Sem	2	40	44-40-0235	Chain Adjusting Nut	1
7	44-66-0100	Cover Plate	1	41	45-04-0110	Chain Adjusting Screw	1
8	28-50-4691	Motor Housing	1	42	28-20-9011	Sprocket Cover	1
9	23-44-0030	Brush Retaining Screw	2	43	45-88-5261	Flat Washer	2
10	22-22-0015	Brush Holder	2	44	06-55-2500	3/8-16 Hex. Nut	2
11	23-86-0060	Insulating Washer	2	45	43-98-0090	Hand Knob	1
12	22-18-0055	Carbon Brush	2	46	36-68-0510	Pump Shaft Assy. (Includes #44-46-0060 Valve Oiler)	1
13	12-99-0032	Nameplate	1	47	34-60-0500	Retaining Ring	1
14	06-85-0200	6x1/4 Rd. Hd. Screw	2	48	45-88-5240	Flat Washer	1
15	02-04-1070	Ball Bearing	1	49	40-50-2200	Compression Spring	1
16	18-82-1085	115 Volt Field	1	50	34-40-1000	O-Ring	1
17	06-81-9225	10-24x2-3/4 Rd. Hd. Sem	2	51	43-44-0070	Gasket	1
18	16-82-1280	115 Volt Armature	1	52	42-92-0060	Oil Filler Cover	1
19	02-04-1260	Ball Bearing	1	53	06-81-7800	1/4-20x3/4 Fil. Hd. Sem	2
20	28-28-0781	Diaphragm	1	54	42-70-0070	Wrench Clip	1
21	45-30-0070	Bearing Retaining Slug	1	55	49-96-6200	Wrench (For Figs. 41 & 44)	1
22	02-04-0910	Ball Bearing	1	56	42-38-0060	Bumper	1
23	43-44-0060	Gasket	1	57	06-81-1400	12-24x1/2 Fil. Hd. Screw	3
24	32-75-1681	Spindle Gear	1	58	06-97-3600	Lock Washer	3
25	06-42-2000	Woodruff Key	1	59	06-81-8625	6-32x1/4 Ground Screw	1
26	38-50-3001	Spindle	1	60	22-64-0095	Cord Set	1
27	02-04-1640	Ball Bearing	1	61	28-17-0400	Clamp Strap	1
28	28-14-0802	Gear Case Assy. (Includes #44-46-0060 Valve Oiler)	1	62	06-81-6150	8-32x1/2 Fil. Hd. Sem	2
29	45-36-0150	Sprocket Spacer	1	63	06-97-1800	Lock Washer (For Switch)	4
30	06-97-3400	Lock Washer	4	64	23-66-0300	Switch	1
31	06-81-1200	10-24x3-1/2 Fil. Hd. Screw	2	65	28-44-9162	Switch Handle Assy. (Incl. both Halves & Figs. 65 & 67)	1
32	45-44-0080	Sprocket	1	66	06-81-3650	8-32x3/4 Oval Hd. Screw	1
33	45-88-0231	Steel Washer	1	67	06-81-3750	8-32x1 Oval Hd. Screw	1
34	06-75-3000	1/4-20x5/8 Skt. Hd. Screw -L.H. Thread	1	68	06-81-5400	8-32x5/16 Binder Hd. Sem	2
35	06-81-1100	10-24x2-1/2 Fil. Hd. Screw	2	69	12-98-7081	Caution Plate (Not Shown)	1
36	06-92-1000	3/8-16x1-1/2 Stud	2				