



# SERVICE PARTS LIST

**BULLETIN NO.**  
54-38-0241

SPECIFY CATALOG NO. AND SERIAL NO. WHEN ORDERING PARTS		REVISED BULLETIN 54-38-0240	DATE April '83
<b>7" SANDER/GRINDER</b>			
<b>CATALOG NO. 6090</b>		STARTING SERIAL NO. <b>668-5001</b>	
CAT. NO. 6090-6		START SER. NO. 668-5001	BILINGUAL LABEL 10-98-6090

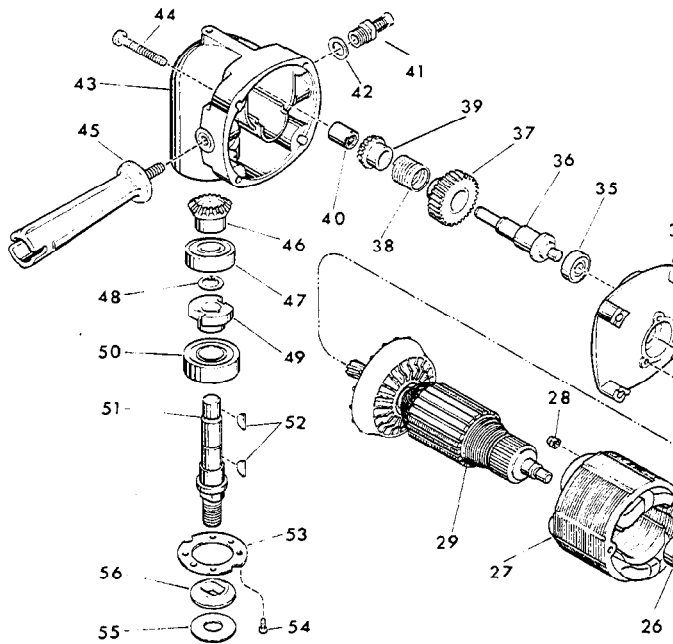


FIG.	PART NO.	DESCRIPTION OF PART	NO. REQ.
★ 37	32-40-1930	Intermediate Gear	(1)
38	40-50-3200	Clutch Spring	(1)
39	32-50-1261	Miter Gear	(1)
40	02-50-2441	Needle Bearing	(1)

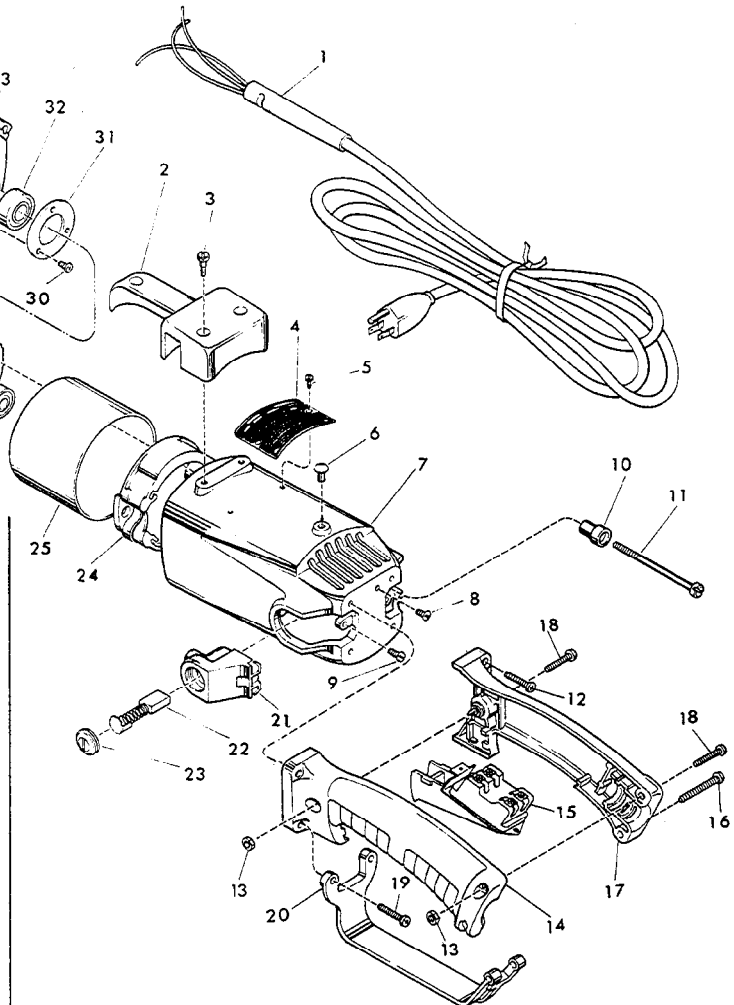


FIG.	PART NO.	DESCRIPTION OF PART	NO. REQ.
1	22-64-0075	Cord Set	(1)
2	31-70-0105	Tool Rest	(1)
3	45-04-0530	Shoulder Screw	(3)
4	12-99-0130	Nameplate Blank	(1)
5	06-85-0200	Nameplate Screw	(2)
6	06-77-1350	14-9x1/4 Drive Screw	(1)
7	28-50-5175	Motor Housing Assy. (Includes 45-30-0120 B.B. Rtnng. Slug)	(1)
★ 8	06-81-8820	Ground Screw	(1)
9	06-95-0209	8-32x 3/8 Pan Hd. Taptite Screw	(2)
10	31-86-0160	Insulating Bushing	(2)
11	06-81-1170	10-32x3" Flat Fil. Hd. Screw	(2)
12	06-95-0345	10-24x7/8 Pan Hd. Taptite Screw	(2)
13	06-55-1000	10-24 Hex Nut	(2)
14	31-44-0550	Left Handle Half	(1)
15	23-66-1130	Switch (20 Amp)	(1)
16	06-95-0360	10-14x1-3/8 Pan Hd. Thread Form Screw	(1)
17	31-44-0540	Right Handle Half	(1)
18	06-81-4207	10-24x7/8 Phillips Pan Hd. Screw	(2)
19	06-95-0352	10-24x1" Phillips Pan Hd. Taptite Screw	(2)
20	31-43-0060	Trigger Guard	(1)
★ 21	22-22-0400	Brush Holder Assy. (Includes 22-20-0360 Brush Tube)	(2)
22	22-18-0145	Carbon Brush Assembly	(2)
23	23-44-0140	Brush Retaining Screw	(2)
24	31-55-0110	Coil Shield	(1)
25	23-16-0950	Insulating Sleeve	(1)
26	02-04-0911	Ball Bearing	(1)
27	18-70-0100	120 Volt Field	(1)
28	06-57-3005	10-2 Locking Hex Nut	(2)
★ 29	16-70-0155	120 Volt Armature (W/34-60-1315 Rtnng. Ring)	(1)
30	06-95-0209	8-32x 3/8 Taptite Screw	(3)
31	44-86-0320	Ball Bearing Retainer	(3)
32	02-04-1516	Ball Bearing	(1)
33	28-28-0391	Diaphragm Assy. (Includes 45-30-0120 B.B. Rtnng. Slug)	(1)
35	02-04-0910	Ball Bearing	(1)
36	36-66-3310	Intermediate Shaft	(1)

41	44-20-0060	Spindle Lock Assembly	(1)
42	45-88-5320	Flat Washer	(1)
43	28-14-0615	Gear Case Assembly	(1)
44	06-95-0372	1/4-20x1-3/4 Taptite Screw	(4)
45	43-62-0760	Side Handle Assembly	(1)
46	32-50-1241	Miter Gear	(1)
47	02-04-1746	Ball Bearing	(1)
48	34-60-1290	Retaining Ring	(1)
49	42-74-0070	Spindle Locking Cog	(1)
50	02-04-2031	Ball Bearing	(1)
51	38-50-5205	Spindle Shaft	(1)
52	06-42-1600	Woodruff Key	(2)
53	45-88-0220	Spindle Retaining Washer	(2)
54	06-95-3226	8-32x3/8 Fil. Hd. Taptite Screw	(3)
55	45-88-0160	Spindle Rubber Washer	(1)
56	49-05-0060	Rubber Washer Flange	(1)
57	49-12-0080	7" Grinder Guard Assy. (Not Shown) Supplied with Canadian Tools	

**MILWAUKEE ELECTRIC TOOL CORPORATION**  
13135 W. LISBON RD., BROOKFIELD, WIS. 53005