



SERVICE PARTS LIST

**BULLETIN NO.
54-38-0161**

SPECIFY CATALOG NO. AND SERIAL NO. WHEN ORDERING PARTS		REVISED BULLETIN 54-38-0160	DATE April '83
7" SANDER/GRINDER		WIRING INSTRUCTION 58-01-0307	
CATALOG NO. 6024	STARTING SERIAL NO. 652-6001		
CAT. NO. 6024-6	START SER. NO. 652-6001	BILINGUAL LABEL 10-98-6085	

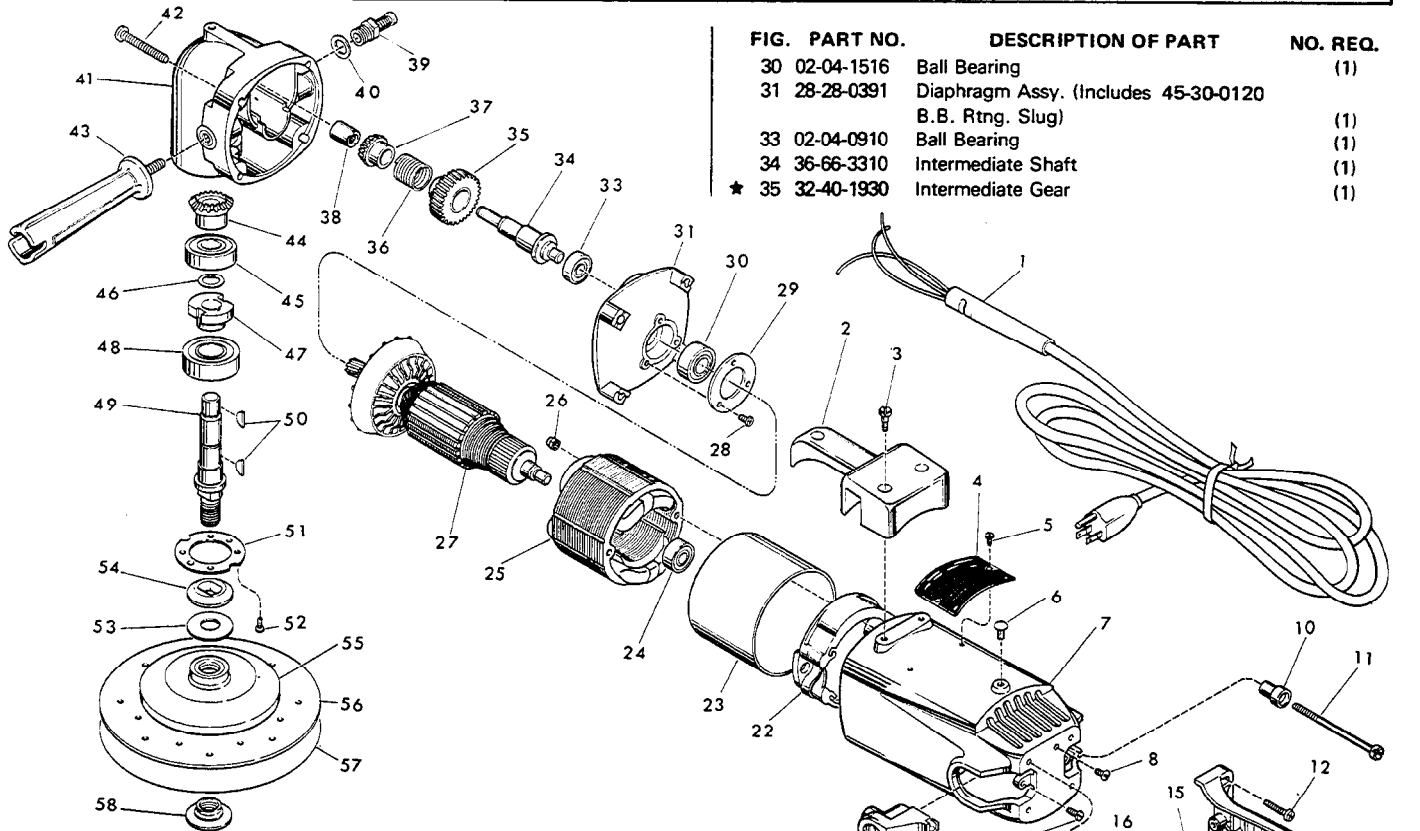


FIG.	PART NO.	DESCRIPTION OF PART	NO. REQ.
	30 02-04-1516	Ball Bearing	(1)
	31 28-28-0391	Diaphragm Assy. (Includes 45-30-0120 B.B. Rtnng. Slug)	(1)
	33 02-04-0910	Ball Bearing	(1)
	34 36-66-3310	Intermediate Shaft	(1)
★	35 32-40-1930	Intermediate Gear	(1)

FIG.	PART NO.	DESCRIPTION OF PART	NO. REQ.
	1 22-64-0080	Cord Set	(1)
	2 31-70-0105	Tool Rest	(1)
	3 45-04-0530	Shoulder Screw	(3)
	4 12-99-0130	Nameplate Blank	(1)
	12-99-0131	Nameplate Blank (Canada)	
	5 06-85-0200	Nameplate Screw	(2)
	6 06-77-1350	14-9x1/4 Drive Screw	(1)
	7 28-50-5175	Motor Housing Assy. (Includes 45-30-0120 B.B. Rtnng. Slug)	(1)
★	8 06-81-8820	Ground Screw	(1)
	9 06-95-0209	8-32x 3/8 Pan Hd. Taptite Screw	(2)
	10 31-86-0160	Insulating Bushing	(2)
	11 06-81-1190	Field Screw	(2)
	12 06-95-0345	10-24x7/8 Pan Hd. Taptite Screw	(4)
	13 06-81-4207	10-24x7/8 Phil. Pan. Hd. Screw	(3)
	14 31-44-0580	Right Handle Half	(1)
	15 06-95-0215	8-18x1/2 Pan Hd. Thread Form Screw	(1)
	16 23-66-0255	Switch (Use (4) 06-97-1800 Lockwashers)	(1)
	17 31-44-0590	Left Handle Half	(1)
	18 06-55-1000	10-24 Hex Nut	(3)
★	19 22-22-0400	Brush Holder Assy. (Includes 22-20-0360 Brush Tube)	(2)
	20 22-18-0145	Carbon Brush Assembly	(2)
	21 23-44-0140	Brush Retaining Screw	(2)
	22 31-55-0110	Coil Shield	(1)
	23 23-16-0950	Insulating Sleeve	(1)
	24 02-04-0911	Ball Bearing	(1)
	25 18-70-0025	120 Volt Field	(1)
	26 06-57-3005	10-32 Locking Hex Nut	(2)
★	27 16-70-0215	120 Volt Armature (W/34-60-1315 Rtnng. Ring)	(1)
	28 06-95-0209	8-32x 3/8 Taptite Screw	(3)
	29 44-86-0320	Ball Bearing Retainer	(1)

	36 40-50-3200	Clutch Spring	(1)
	37 32-05-1120	Bevel Gear	(1)
	38 02-50-2441	Needle Bearing	(1)
	39 44-20-0060	Spindle Lock Assembly	(1)
	40 45-88-5320	Flat Washer	(1)
	41 28-14-0615	Gear Case Assembly	(1)
	42 06-95-0372	1/4-20x1-3/4 Taptite Screw	(4)
	43 43-62-0760	Side Handle Assembly	(1)
	44 32-05-1130	Bevel Gear	(1)
	45 02-04-1746	Ball Bearing	(1)
	46 34-60-1290	Retaining Ring	(1)
	47 42-74-0070	Spindle Locking Cog	(1)
	48 02-04-2031	Ball Bearing	(1)
	49 38-50-5205	Spindle Shaft	(1)
	50 06-42-1600	Woodruff Key	(2)
	51 45-88-0220	Spindle Retaining Washer	(2)
	52 06-95-3226	8-32x3/8 Fil. Hd. Taptite Screw	(3)
	53 45-88-0160	Spindle Rubber Washer	(1)
	54 49-05-0060	Rubber Washer Flange	(1)
	55 49-36-3500	Rubber Backing Pad	(1)
	56 48-80-6000	7" Phenolic Disc	(1)
	57 -	7" Abrasive Disc (Select from Catalog)	(1)
	58 49-40-0350	Disc Nut	(1)

MILWAUKEE ELECTRIC TOOL CORPORATION
13135 W. LISBON RD., BROOKFIELD, WIS. 53005