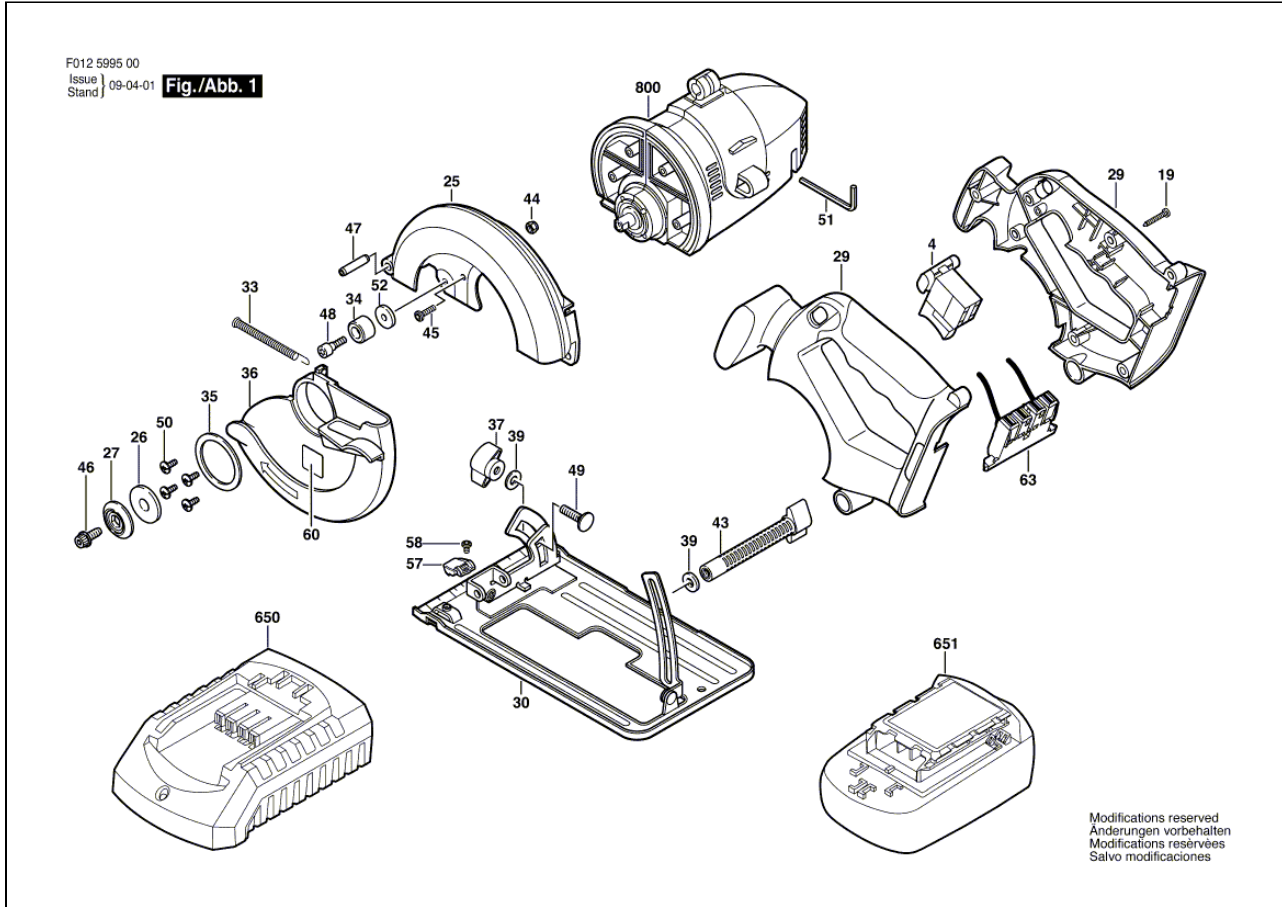


Cordless Circular Saw F 012 599 500 5995

09.03.2011 18:02:22



Item	Quantity	Order No.	Designation	Price group	Page
4	1	1 619 X01 866	Mains switch	18	1
19	20	2 609 110 236	Torx Oval-Head Screw	10	1
25	1	1 619 X01 860	Upper guard	23	1
26	1	1 619 X01 872	Washer	12	1
27	1	1 619 X01 873	Special Washer	12	1
29	1	1 619 X01 915	Set Of Handles	23	1
30	1	1 619 X01 916	Base Plate	23	1
33	1	1 619 X01 882	Extension Spring		1
34	1	1 619 X01 883	End stop	10	1
35	1	2 610 386 556	Washer	11	1
36	1	1 619 X01 885	Lower guard	18	1
37	1	2 610 917 567	Knob	10	1
39	2	1 619 P01 535	Washer	12	1
43	1	1 619 X01 891	Adjustment Knob	12	1
44	1	2 610 904 165	Self-locking nut	10	1
45	4	1 619 X02 855	Screw	10	1
46	1	1 619 X01 893	Flange Bolt	10	1
47	1	1 619 X01 894	Roller Pin	11	1
48	1	1 619 X02 626	Shoulder Screw	10	1
49	1	2 610 017 262	Round-Head Bolt	12	1
50	4	2 914 201 503	Torx SH cap screw / A 4x12-10,9-D	10	1

51	1	1 619 X01 897	Turnbuckle	11	1
52	1	1 619 X01 898	Washer	10	1
57	1	1 619 X02 433	Window	11	1
58	1	1 619 X01 913	Screw	10	1
60	1	1 619 X02 431	Warning Label	12	1
63	1	1 619 X02 613	Contact Housing	15	1
650	1	1 619 X03 502	Charger / 18V,1,3Ah,LI	36	1
651	1	1 619 X03 496	Battery Pack / USA 120/18V	43	1
800	1	1 619 X02 865	Circular hand saw	38	1