



SERVICE PARTS LIST

BUL. 54-32-1215

POLISHER

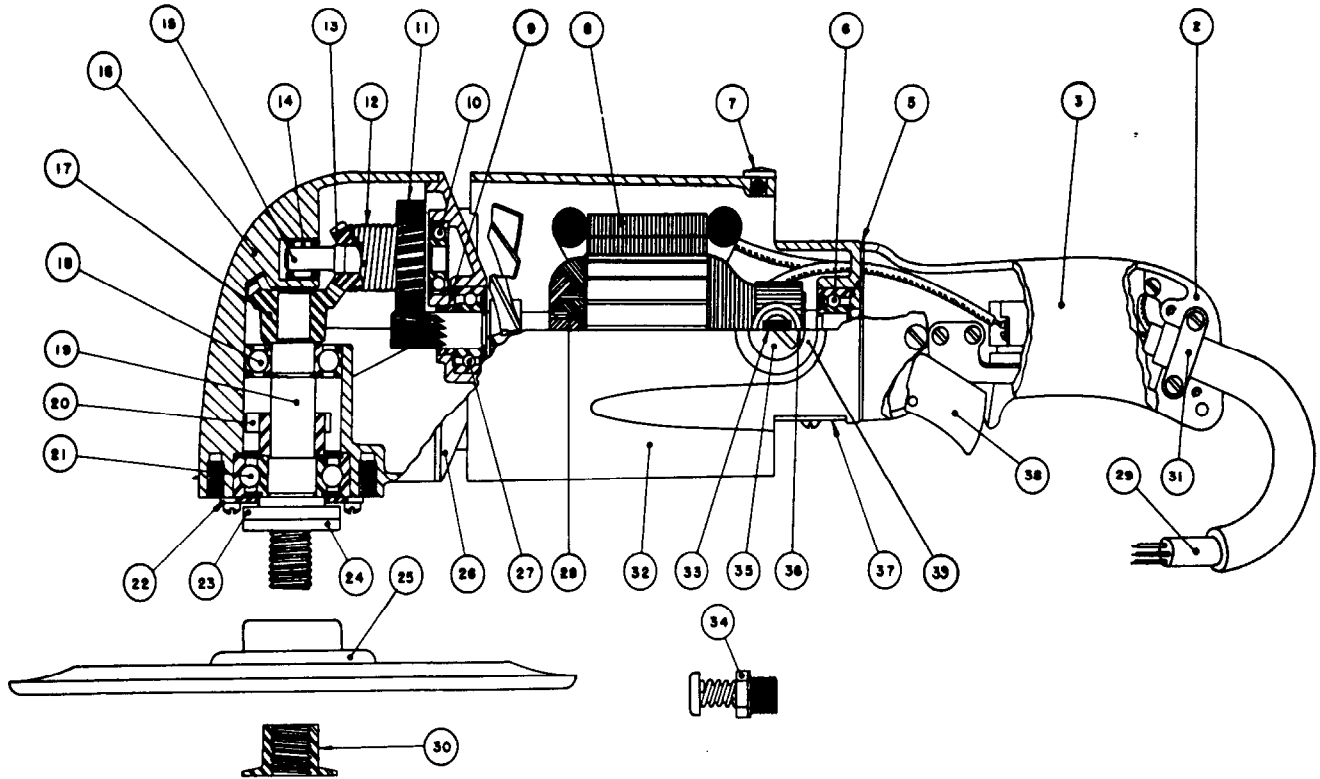
REVISED BUL 647-6 DATE May '68

Catalog No. 5590

Starting Serial No. **47-5421**

WIRING INSTR. **58-01-0310**

Both Model and Serial No. must be furnished to obtain correct parts.



ILLUSTRATED PARTS

FIG.	PART NO.	DESCRIPTION OF PART	FIG.	PART NO.	DESCRIPTION OF PART
2	28-44-1041	Handle (Switch Mounting Side)	22	45-88-0220	Ball Bearing
3	28-44-9081	Handle (Switch Cover Side)	23	45-88-0141	Steel Hub Washer
5	43-86-0050	Handle Insulator	24	45-88-0160	Rubber Hub Washer
6	02-04-1070	Ball Bearing	25	49-36-2200	9" Polisher Pad
7	06-77-1400	Drive Screw Tool Rest Button	26	28-28-0381	Diaphragm
8	18-82-1110	Field Assembly	27	02-04-1140	Ball Bearing
9	45-28-0050	Grease Slinger	28	16-82-1180	Armature Assembly
10	02-04-0910	Ball Bearing	29	22-64-0090	Cord Set
11	32-40-1181	Intermediate Gear	30	44-40-0160	5/8-11 Disc Nut
12	40-50-3100	Spindle Drive Spring	31	28-17-0200	Cord Clamp Strap
13	32-05-1022	Bevel Gear (Sold only with 32-05-1001 as set)	32	28-50-4562	Motor Housing (Includes item 39 & screws)
14	02-50-2130	Needle Bearing	33	22-18-0260	Carbon Brush Assembly (2)
15	36-66-1701	Intermediate Shaft	34	44-20-0060	Spindle Lock Assembly
16	28-14-0601	Gear Case	35	23-44-0065	Brush Retaining Cap (2)
17	32-05-1001	See Item 13	36	22-22-0130	Brush Holder Assembly (2)
18	02-04-1710	Ball Bearing	37	44-66-0100	Commutator Cover Plate
19	38-50-1751	Spindle	38	23-66-0250	Switch Assembly
20	42-74-0061	Spindle Lock Cog	39	22-24-0100	Brush Holder Bushing (Steel)
21	02-04-2060	Ball Bearing			

MISCELLANEOUS PARTS NOT SHOWN

PART NO.	DESCRIPTION OF PART	PART NO.	DESCRIPTION OF PART
28-79-0241	Tool Rest	06-81-8650	6-32x1/4 Rd. Hd. Comm. Cover Plate Screw (2)
48-03-0010	Plug Adapter	06-81-3700	8-32x7/8 Oval Hd. Handle Cover Screw (2)
12-98-2500	Name Plate	* 06-81-6150	8-32x1/2 Fil. Hd. Cord Clamp Screw (2)
43-62-0141	Side Handle	06-81-5400	8-32x5/16 Binder Hd. Switch Mounting Screw (2)
06-81-6950	10-24x1/2 Fil. Hd. Tool Rest Screw (2)	06-81-9200	10-24x2-1/2 Rd. Hd. Field Screw (2)
06-83-2650	1/4-20x3/8 Hd'less Brush Holder Set Screw (2)	06-81-8625	6-32x1/4 Rd. Hd. Ground Screw (Brass)
06-81-7550	12-24x3/4 Fil. Hd. Switch Handle Screw (4)	06-81-8200	4-36x3/16 Rd. Hd. Name Plate Screw (2)
06-81-3750	8-32x1 Oval Hd. Handle Cover Screw	06-81-6050	8-32x5/16 Fil. Hd. Ret. Washer Screw (6)
* 06-81-7300	10-24x1-3/4 Fil. Hd. Gear Case Screw (4)	* 23-86-0075	Insulating Washer (2)
* 06-97-1800	Lock Washer (4)	* 45-88-5320	Flat Washer
* 06-42-1600	Woodruff Key		