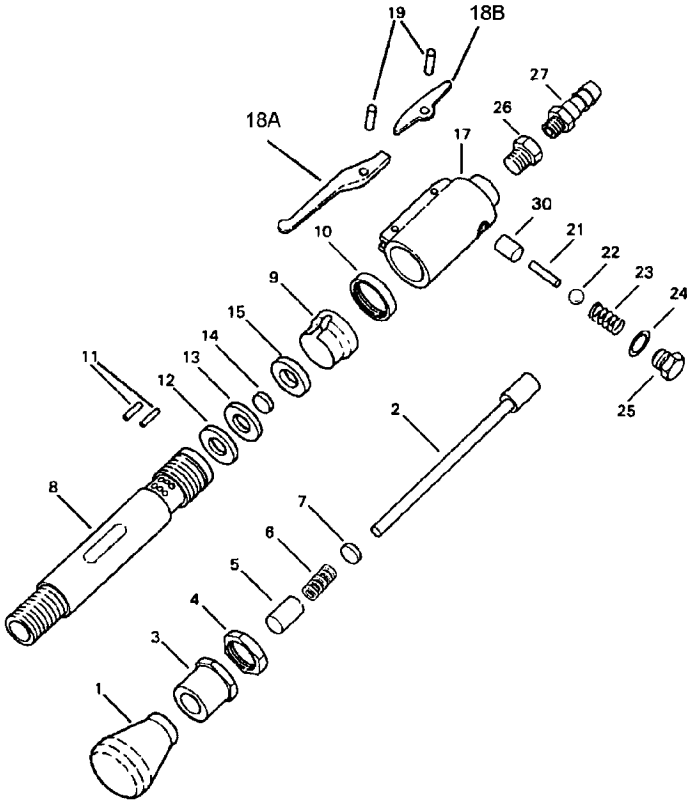


JET-1T Sand Rammer
No. M-556633 3/98



1	556637	Rubber Butt	1	17	T3020117B	Handle	1
2	T30201020	Piston	1	18A	T3030118A	Lever (L)	1
3	T30201030	Gland	1	18B	T3020118B	Lever (S)	1
4	T30201040	Gland Nut	1	19	T3020119B	Lever Pin	2
5	T30201050	Piston Bushing	1	21	T3020121B	Throttle Valve Pin	1
6	T30201060	Packing	4	22	T3020112B	Throttle Valve	1
7	T30201070	Packing Bushing	1	23	T3020123B	Throttle Spring	1
8	T30211080	Cylinder	1	24	T3020224A	O-Ring	1
9	T30204090	Exhaust Cover	1	25	T3020125B	Throttle Valve Cap	1
10	T30201100	Lock Nut	1	26	T30211260	Air Inlet	1
11	T30201110	Valve Pin	2	27	T30201270	Nipple	1
12	T30201120	Valve Seat (lower)	1	30	T30301300	Throttle Bushing	1
13	T30201130	Valve Case	1	800	T30201H00	Handle Complete	1
14	T30201140	Middle Valve	1			(No. 17-25, 30)	
15	T30201160	Valve Seat (upper)	1	801	T30201H01	Valve Complete	1
						(No. 11-15)	