



SERVICE PARTS LIST

BULLETIN NO.
54-32-1272

SPECIFY CATALOG NO. AND SERIAL NO. WHEN ORDERING PARTS		REVISED BULLETIN 54-32-1271	DATE Feb.'90
7" HEAVY-DUTY POLISHER (2800 R.P.M.)			
CATALOG NO. 5535	STARTING SERIAL NO. 677-26450	WIRING INSTRUCTION 58-01-0295	

EXAMPLE:
Component Parts (Small #) Are Included
When Ordering The Assembly (Large #).

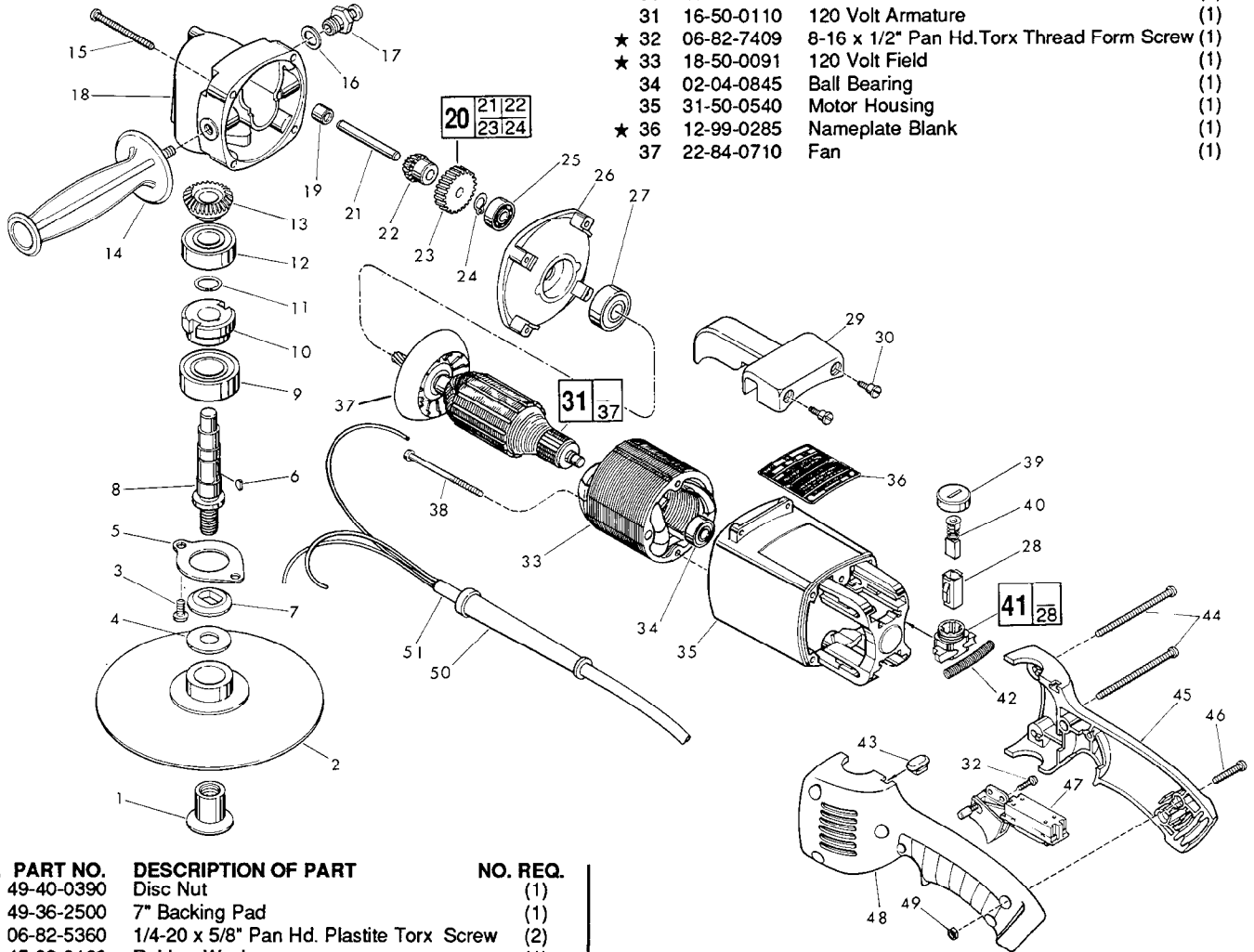


FIG. PART NO.	DESCRIPTION OF PART	NO. REQ.
29 31-70-0110	Tool Rest	(1)
30 45-04-0570	Shoulder Screw	(3)
31 16-50-0110	120 Volt Armature	(1)
★ 32 06-82-7409	8-16 x 1/2" Pan Hd. Torx Thread Form Screw	(1)
★ 33 18-50-0091	120 Volt Field	(1)
34 02-04-0845	Ball Bearing	(1)
35 31-50-0540	Motor Housing	(1)
★ 36 12-99-0285	Nameplate Blank	(1)
37 22-84-0710	Fan	(1)

FIG. PART NO.	DESCRIPTION OF PART	NO. REQ.
1 49-40-0390	Disc Nut	(1)
2 49-36-2500	7" Backing Pad	(1)
★ 3 06-82-5360	1/4-20 x 5/8" Pan Hd. Plastite Torx Screw	(2)
★ 4 45-88-0160	Rubber Washer	(1)
5 45-88-7785	Spindle Retaining Washer	(1)
6 06-42-1600	Woodruff Key	(1)
★ 7 49-05-0060	Washer Flange	(1)
★ 8 38-50-5231	Spindle Shaft	(1)
9 02-04-2031	Ball Bearing	(1)
10 42-74-0070	Spindle Locking Cog	(1)
11 34-60-1290	Retaining Ring	(1)
12 02-04-1747	Ball Bearing	(1)
13 32-05-1081	Bevel Gear	(1)
14 43-62-0880	Side Handle	(1)
★ 15 06-82-7441	10-14 x 1-7/8" Pan Hd. Plastite Torx Screw	(4)
16 45-88-5320	Flat Washer	(1)
17 44-20-0211	Spindle Lock Assembly	(1)
18 28-14-1430	Gear Case	(1)
19 02-50-2200	Needle Bearing	(1)
20 14-73-0140	Intermediate Gear Assy.	(1)
21 -----	Intermediate Shaft	(1)
22 -----	Bevel Gear	(1)
23 -----	Intermediate Gear	(1)
24 -----	External Retaining Ring	(1)
25 02-04-0910	Ball Bearing	(1)
26 28-28-1565	Diaphragm	(1)
27 02-04-1230	Ball Bearing	(1)
28 22-20-0660	Brush Tube	(2)

FIG. PART NO.	DESCRIPTION OF PART	NO. REQ.
38 06-82-7375	8-16 x 2-1/2" Torx Taptite Screw	(2)
39 23-44-0210	Brush Retaining Screw	(2)
40 22-18-0680	Carbon Brush Assembly	(2)
41 22-22-1325	Brush Holder Assembly	(2)
42 40-50-7770	Brush Holder Spring	(2)
43 42-38-0190	Bumper	(1)
★ 44 06-82-2598	10-24 x 2-3/4" Pan Hd. Slit. Torx Screw	(2)
45 31-44-1110	Right Handle Half	(1)
★ 46 06-82-2568	10-24 x 7/8" Pan Hd. Slit. Torx Screw	(3)
★ 47 23-66-1800	Switch	(1)
48 31-44-1115	Left Handle Half	(1)
49 06-55-1050	10-24 Hex Nut	(5)
50 44-76-0050	Cord Protector	(1)
51 22-64-0790	Cord Set	(1)

FIG. NOTES

18 1-1/4 Oz. Type "G" Grease No. 49-08-4140, In Grease Cavity.
1-1/2 Oz. Type "B" Grease, No. 49-08-0600, To Build Up Wall of Grease Around Grease Cavity.

MILWAUKEE ELECTRIC TOOL CORPORATION
13135 W. LISBON RD., BROOKFIELD, WI 53005