



SERVICE PARTS LIST

BUL. 54-32-1101

7" POLISHER

REVISED BUL 6140-2 DATE Feb. '68

Catalog No. 5530

Starting Serial No. **140-1719**

WIRING INSTR.

Both Model and Serial No. must be furnished to obtain correct parts.

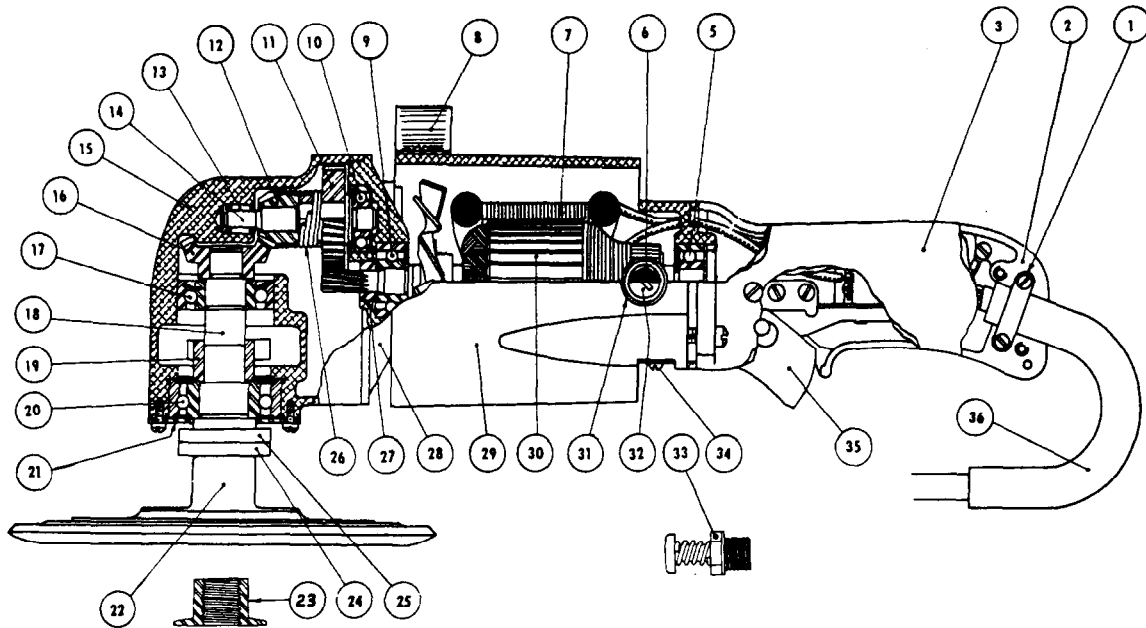


FIG.	PART NO.	DESCRIPTION OF PART
1	28-17-0200	Cord Clamp Strap
2	28-44-1041	Handle (Switch Mounting Side)
3	28-44-9081	Handle (Switch Cover Side)
5	02-04-0960	Ball Bearing (Comm. End)
★6	22-18-0170	Carbon Brush Assemblies
7	18-62-1030	Field Assembly
8	28-79-0321	Tool Rest
9	02-04-1260	Ball Bearing (Pinion End)
10	02-04-0910	Ball Bearing
11	32-40-1301	Intermediate Gear
12	32-05-1101	Bevel Gear (Sold only with 32-05-1081 as a set)
13	02-50-1630	Needle Bearing
14	36-66-3251	Intermediate Shaft
15	28-14-1082	Gear Case
16	32-05-1081	Bevel Gear (See Item 12)
17	02-04-1710	Ball Bearing (Upper)
18	38-50-3751	Spindle

ILLUSTRATED PARTS

FIG.	PART NO.	DESCRIPTION OF PART
19	42-74-0061	Spindle Locking Cog
20	02-04-2060	Ball Bearing (Lower)
21	45-88-0170	Ball Brg. Retaining Washer
22	49-36-2500	Rubber Backing Pad
23	44-40-0160	Disc Nut (5/8-11 Thread)
24	45-88-0160	Hub Rubber Washer
25	45-88-0141	Hub Steel Washer
26	40-50-3100	Drive Spring
27	45-28-0060	Grease Slinger
28	28-28-0981	Diaphragm
29	28-50-4881	Motor Housing
30	16-62-1020	Armature Assembly
★31	22-22-0120	Brush Holder Assembly (2)
32	23-44-0065	Brush Retaining Cap (2)
33	44-20-0060	Spindle Lock Assembly
34	44-66-0230	Commutator Cover Plate (2)
35	23-66-0270	Switch Assembly
36	22-64-0090	Cord Set

MISCELLANEOUS PARTS NOT SHOWN

PART NO.	DESCRIPTION OF PART
12-98-2500	Name Plate
34-60-0900	Armature Retaining Ring
43-62-0141	Wooden Side Handle Assembly
06-81-6950	10-24x1/2 Fil.Hd. Sem Tool Rest Screw (2)
06-81-3650	8-32x3/4 Oval Hd. Switch Handle Screws (4)
06-81-7300	10-24x1-3/4 Fil.Hd.Sems Gear Case Scs. (4)
06-81-3700	8-32x7/8 Oval Hd. Handle Cover Screws (2)
06-83-2650	1/4-20x3/8 Unbrako Knurled Point Socket Hd. Hd'less Brush Holder Set Screws (2)
06-81-5400	8-32x5/16 Bind Hd. Switch Mtg. Screws Sems (2)
06-81-8625	6-32x1/4 (Brass) Sem Rd.Hd. Ground Wire Sc.
06-81-3750	8-32x1 Oval Hd. Handle Cover Screw
06-81-6100	8-32x7/16 Fil.Hd.Sem Cord Clamp Strap Scs. (2)
06-81-8950	8-32x 2 1/4 Rd. Hd. Sems Field Screws (2)
06-81-8650	6-32x1/4 Rd.Hd. Commutator Cover Scs.Sems (2)
06-81-6050	8-32x5/16 Fil.Hd.Sems Ball Brg.Retg.Washer Scs.(6)
06-81-8200	4-36x3/16 Rd. Hd. Sems Name Plate Screws (2)
48-03-0010	Attachment Plug Adaptor

Numbers in brackets indicate number required.