



# SERVICE PARTS LIST

**BULLETIN NO.**  
**54-32-1253**

SPECIFY CATALOG NO. AND SERIAL NO. WHEN ORDERING PARTS		REVISED BULLETIN	DATE
<b>7" HEAVY-DUTY POLISHER (1750 R.P.M.)</b>		54-32-1252	July'93
<b>CATALOG NO.</b>	<b>5455</b>	<b>WIRING INSTRUCTION</b>	
<b>STARTING SERIAL NO.</b>	<b>657A</b>	<b>58-01-0295</b>	

**EXAMPLE:**  
Component Parts (Small #) Are Included  
When Ordering The Assembly (Large #).

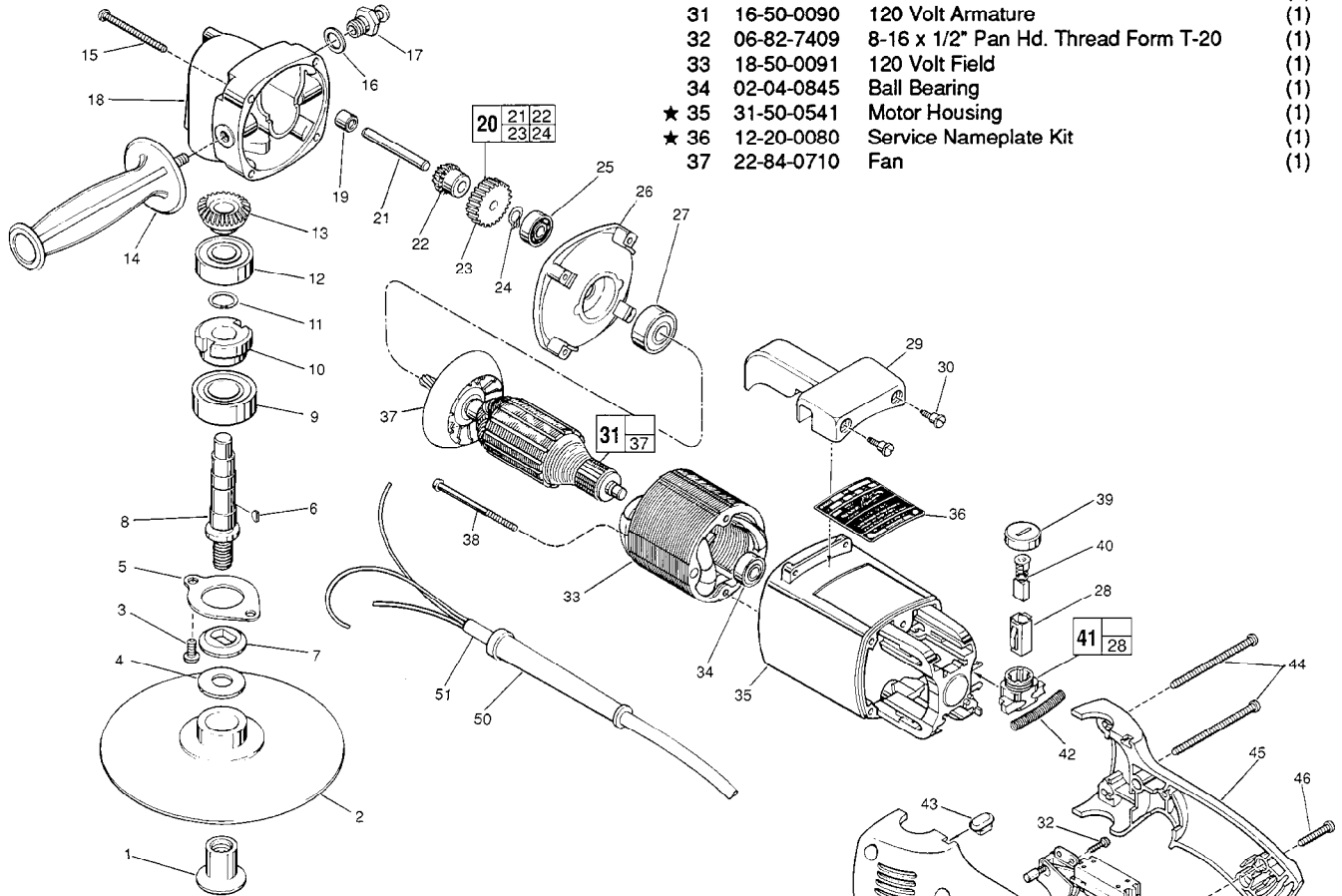


FIG.	PART NO.	DESCRIPTION OF PART	NO. REQ.
1	49-40-0390	Disc Nut	(1)
2	49-36-2500	7" Backing Pad	(1)
3	06-82-5360	1/4-20 x 5/8" Pan Hd. Plastite T-30	(2)
★ 4	45-88-8465	Spindle Washer	(1)
5	45-88-7785	Spindle Retaining Washer	(1)
6	06-42-1600	Woodruff Key	(1)
7	49-05-0060	Washer Flange	(1)
8	38-50-5231	Spindle Shaft	(1)
9	02-04-2031	Ball Bearing	(1)
10	42-74-0070	Spindle Locking Cog	(1)
11	34-60-1290	Retaining Ring	(1)
12	02-04-1747	Ball Bearing	(1)
13	32-05-1081	Bevel Gear	(1)
14	43-62-0880	Side Handle	(1)
15	06-82-7441	10-14 x 1-7/8" Pan Hd. Plastite T-25	(4)
16	45-88-5320	Flat Washer	(1)
17	44-20-0211	Spindle Lock Assembly	(1)
18	28-14-1430	Gear Case	(1)
19	02-50-2200	Needle Bearing	(1)
20	14-73-0130	Intermediate Gear Assy.	(1)
21	-----	Intermediate Shaft	(1)
22	-----	Bevel Gear	(1)
23	-----	Intermediate Gear	(1)
24	-----	External Retaining Ring	(1)
25	02-04-0910	Ball Bearing	(1)
26	28-28-1565	Diaphragm	(1)
★ 27	02-04-1229	Ball Bearing	(1)
28	22-20-0660	Brush Tube	(2)

FIG.	PART NO.	DESCRIPTION OF PART	NO. REQ.
29	31-70-0110	Tool Rest	(1)
★ 30	45-04-0720	Shoulder Screw	(3)
31	16-50-0090	120 Volt Armature	(1)
32	06-82-7409	8-16 x 1/2" Pan Hd. Thread Form T-20	(1)
33	18-50-0091	120 Volt Field	(1)
34	02-04-0845	Ball Bearing	(1)
★ 35	31-50-0541	Motor Housing	(1)
★ 36	12-20-0080	Service Nameplate Kit	(1)
37	22-84-0710	Fan	(1)

FIG.	PART NO.	DESCRIPTION OF PART	NO. REQ.
38	06-82-7375	8-16 x 2-1/2" Taptite T-20	(2)
39	23-44-0210	Brush Retaining Screw	(2)
40	22-18-0680	Carbon Brush Assembly	(2)
41	22-22-1325	Brush Holder Assembly	(2)
42	40-50-7770	Brush Holder Spring	(2)
43	42-38-0190	Bumper	(1)
44	06-82-2598	10-24 x 2-3/4" Pan Hd. Slit T-25	(2)
★ 45	31-44-1710	Right Handle Half	(1)
46	06-82-2568	10-24 x 7/8" Pan Hd. Slit T-25	(3)
47	23-66-1800	Switch	(1)
48	31-44-1115	Left Handle Half	(1)
49	06-55-1050	10-24 Hex Nut	(5)
50	44-76-0050	Cord Protector	(1)
51	22-64-0790	Cord Set	(1)

**FIG. NOTES**  
18 1-1/4 Oz. Type "G" Grease No. 49-08-4140, In Grease Cavity.  
1-1/2 Oz. Type "B" Grease, No. 49-08-0600, To Build Up Wall of Grease Around Grease Cavity.

**MILWAUKEE ELECTRIC TOOL CORPORATION**  
13135 W. LISBON RD., BROOKFIELD, WI 53005