



SERVICE PARTS LIST

BULLETIN NO.
54-32-1250

SPECIFY CATALOG NO. AND SERIAL NO. WHEN ORDERING PARTS		REVISED BULLETIN	DATE
7" HEAVY-DUTY POLISHER (1750 R.P.M.)			April '84
CATALOG NO. 5455	STARTING SERIAL NO. 657-1001	WIRING INSTRUCTION	
		58-01-0301	
CAT. NO. 5455-6	START SER. NO. 657-1001	BILINGUAL LABEL 10-98-6120	

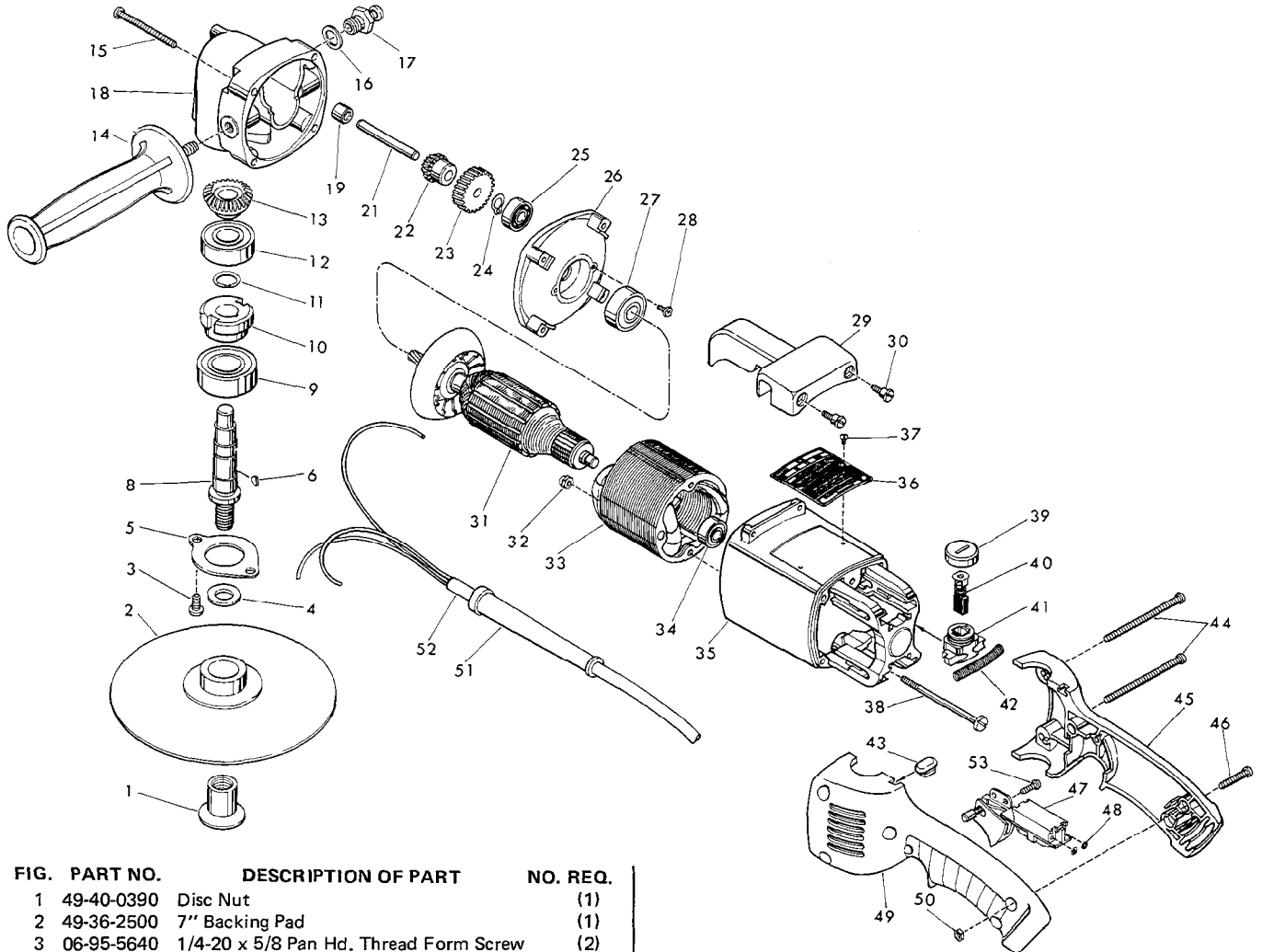


FIG.	PART NO.	DESCRIPTION OF PART	NO. REQ.
1	49-40-0390	Disc Nut	(1)
2	49-36-2500	7" Backing Pad	(1)
3	06-95-5640	1/4-20 x 5/8 Pan Hd. Thread Form Screw	(2)
4	45-88-7790	Rubber Washer	(1)
5	45-88-7785	Spindle Retaining Washer	(1)
6	06-42-1600	Woodruff Key	(1)
7			(1)
8	38-50-5230	Spindle Shaft	(1)
9	02-04-2031	Ball Bearing	(1)
10	42-74-0070	Spindle Locking Cog	(1)
11	34-60-1290	Retaining Ring	(1)
12	02-04-1747	Ball Bearing	(1)
13	32-05-1081	Bevel Gear	(1)
14	43-62-0880	Side Handle	(1)
15	06-95-0375	10-14 x 1-7/8 Pan Hd. Thread Form Screw	(4)
16	45-88-5320	Flat Washer	(1)
17	44-20-0211	Spindle Lock Assembly	(1)
18	28-14-1430	Gear Case	(1)
19	02-50-2200	Needle Bearing	(1)
20	14-73-0130	Intermediate Gear Assy. (Incl. Fig. Nos. 21 thru 24)	(1)
21	—	Intermediate Shaft	(1)
22	—	Bevel Gear	(1)
23	—	Intermediate Gear	(1)
24	—	External Retaining Ring	(1)
25	02-04-0910	Ball Bearing	(1)
26	28-28-1565	Diaphragm	(1)
27	02-04-1230	Ball Bearing	(1)
28	06-95-0209	8-32 x 3/8 Tapite Screw	(2)
29	31-70-0110	Tool Rest	(1)

FIG.	PART NO.	DESCRIPTION OF PART	NO. REQ.
30	45-04-0570	Shoulder Screw	(3)
31	16-50-0090	120 Volt Armature	(1)
32	06-57-3005	10-32 Locking Hex Nut	(2)
33	18-50-0090	120 Volt Field	(1)
34	02-04-0845	Ball Bearing	(1)
35	31-50-0250	Motor Housing	(1)
36	12-99-0280	Nameplate Blank	(1)
37	06-85-0200	Nameplate Screw	(2)
38	06-81-7480	10-32 x 2-3/4 Flat Hd. Screw	(2)
39	23-44-0180	Brush Retaining Screw	(2)
40	22-18-0620	Carbon Brush Assembly	(2)
41	22-22-1300	Brush Holder Assembly	(2)
42	40-50-7770	Brush Holder Spring	(2)
43	42-38-0190	Bumper	(1)
44	06-81-5775	10-24 x 2-3/4 Pan Hd. Screw	(2)
45	31-44-1110	Right Handle Half	(1)
46	06-81-4206	10-24 x 7/8 Pan Hd. Screw	(3)
47	23-66-0165	Switch	(1)
48	06-97-1700	No. 5 Internal Tooth Lock Washer	(4)
49	31-44-1115	Left Handle Half	(1)
50	06-55-1050	10-24 Hex Nut	(5)
51	44-76-0050	Cord Protector	(1)
52	22-64-0770	Cord Set	(1)
53	06-95-0205	8-16 x 1/2 Pan Hd. Thread Form Screw	(1)

MILWAUKEE ELECTRIC TOOL CORPORATION
13135 W. LISBON RD., BROOKFIELD, WIS. 53005