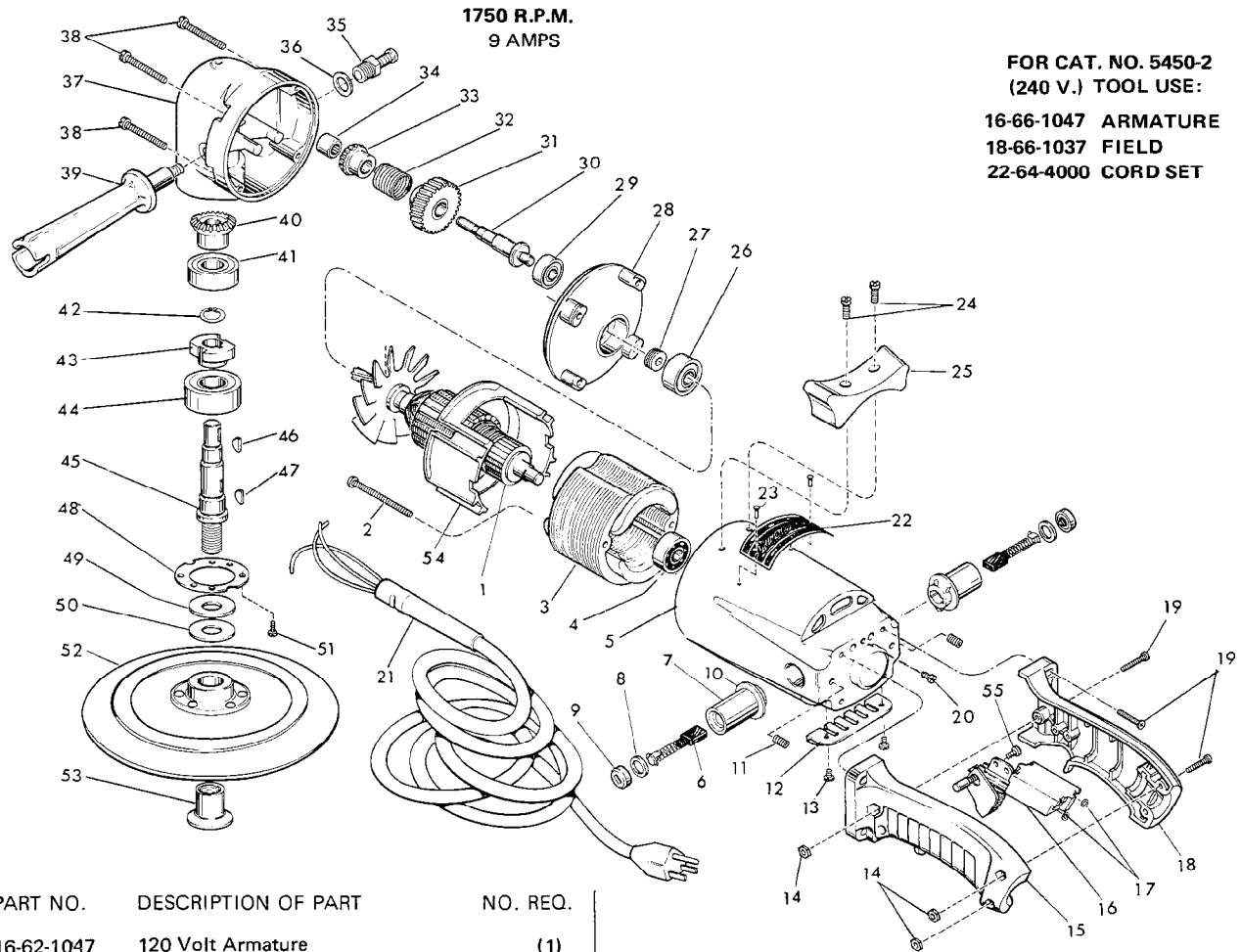




SERVICE PARTS LIST

BULLETIN NO.
54-32-1011

SPECIFY CATALOG NO. AND SERIAL NO. WHEN ORDERING PARTS		REVISED BULLETIN	DATE
7" POLISHER		54-32-1010	Nov. '82
CATALOG NO. 5450	STARTING SERIAL NO. 100-60000	WIRING INSTRUCTION 58-01-0506	



**FOR CAT. NO. 5450-2
(240 V.) TOOL USE:**
16-66-1047 ARMATURE
18-66-1037 FIELD
22-64-4000 CORD SET

FIG	PART NO.	DESCRIPTION OF PART	NO. REQ.	FIG.	PART NO.	DESCRIPTION OF PART	NO. REQ.
	1	120 Volt Armature	(1)		30	36-66-3251 Intermediate Shaft	(1)
★	2	10-24x2-1/4 Rd. Hd. Sem	(2)		31	32-40-1411 Intermediate Gear	(1)
	3	18-62-1037 120 Volt Field	(1)		32	40-50-3100 Drive Spring	(1)
	4	02-04-0970 Ball Bearing	(1)		33	32-05-1101 Bevel Gear	(1)
★	5	28-50-5102 Motor Housing	(1)		34	02-50-1630 Needle Bearing	(1)
	6	22-18-0175 Carbon Brush	(2)		35	44-20-0060 Spindle Lock Assembly	(1)
	7	22-22-1231 Brush Holder	(2)		36	45-88-5320 Flat Washer	(1)
	8	43-44-0180 Brush Cap Gasket	(2)		37	28-14-1082 Gear Case	(1)
	9	23-44-0100 Brush Retaining Screw	(2)		38	06-81-7300 10-24x1-3/4 Fil. Hd. Sem	(4)
	10	23-86-0075 Insulating Washer	(2)		39	43-62-0570 Side Handle	(1)
	11	06-83-2000 10-24x1/4 Set Screw	(2)		40	32-05-1081 Bevel Gear	(1)
	12	44-66-0230 Commutator Cover Plate	(1)		41	02-04-1710 Ball Bearing	(1)
	13	06-81-8650 6-32x1/4 Rd. Hd. Sem	(2)		42	34-60-1290 Retaining Ring	(1)
	14	06-55-1000 10-24 Hex Nut	(3)		★43	42-74-0070 Spindle Lock Cog	(1)
	15	31-44-0590 Handle Half Left	(1)		44	02-04-2065 Ball Bearing	(1)
	16	23-66-0165 Switch (16 Amp)	(1)		45	38-50-3751 Spindle	(1)
	17	06-97-1800 Lockwasher	(4)		46	06-42-1200 Woodruff Key	(1)
	18	31-44-0580 Handle Half Right	(1)		47	06-42-1600 Woodruff Key	(1)
	19	06-81-4207 10-24x7/8 Phillips Pan Hd. Screw	(7)		48	45-88-0220 Spindle Retaining Washer	(1)
★	20	06-81-8820 Ground Screw	(1)		49	45-88-0141 Hub Thrust Washer	(1)
	21	22-64-0080 Cord Set	(1)		50	45-88-0160 Spindle Rubber Washer	(1)
	22	12-99-0032 Nameplate Blank	(1)		51	06-81-6050 8-32x5/16 Fil. Hd. Sem	(6)
	23	06-85-0200 Nameplate Screw	(2)		52	49-36-2500 7" Rubber Backing Pad	(1)
	24	06-81-6950 10-24x1/2 Fil. Hd. Sem	(2)	★	53	49-40-0390 Disc Nut	(1)
	25	28-79-0321 Tool Rest	(1)		54	31-05-0100 Baffle	(1)
	26	02-04-1070 Ball Bearing	(1)		55	06-95-0215 8-18x1/2 Pan Hd. Thread Form Screw	(1)
	27	45-28-0070 Grease Slinger	(1)		56	12-98-7082 Caution Plate (Not Shown)	(1)
	28	28-28-1101 Diaphragm	(1)				
	29	02-04-0910 Ball Bearing	(1)				